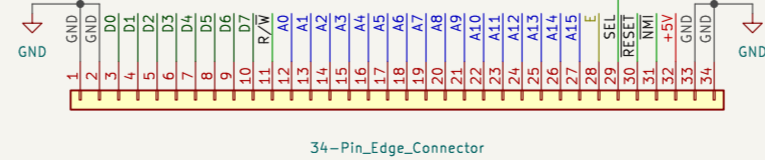
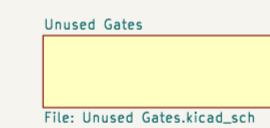
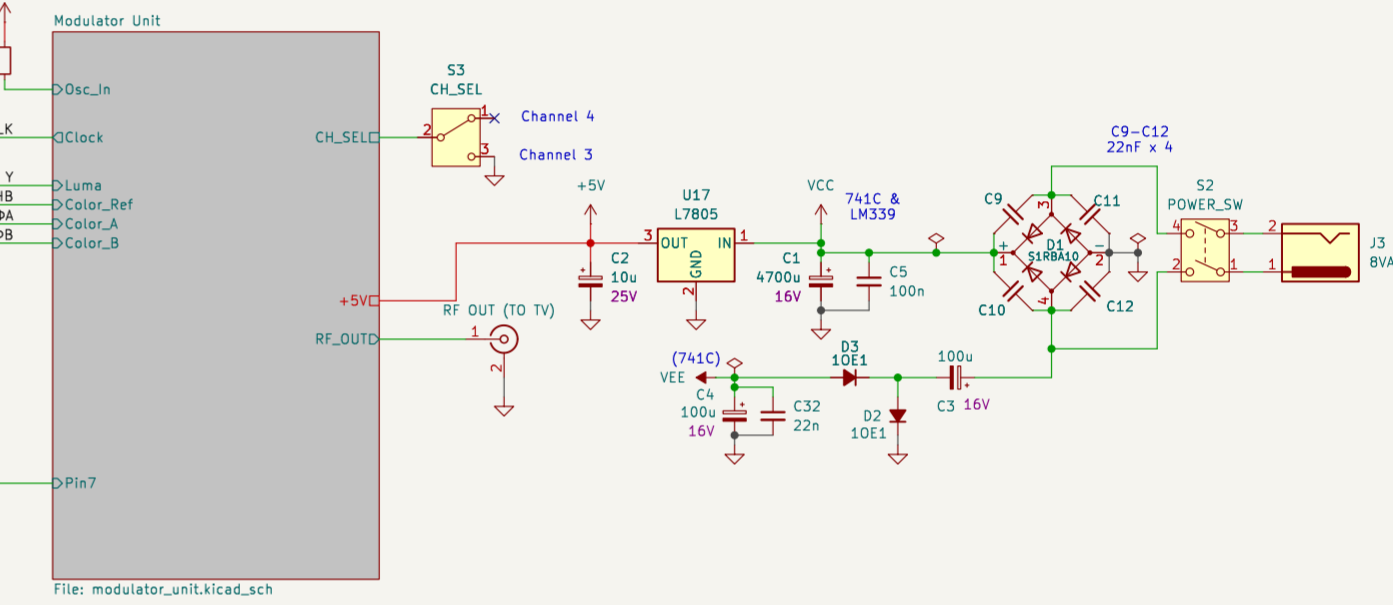
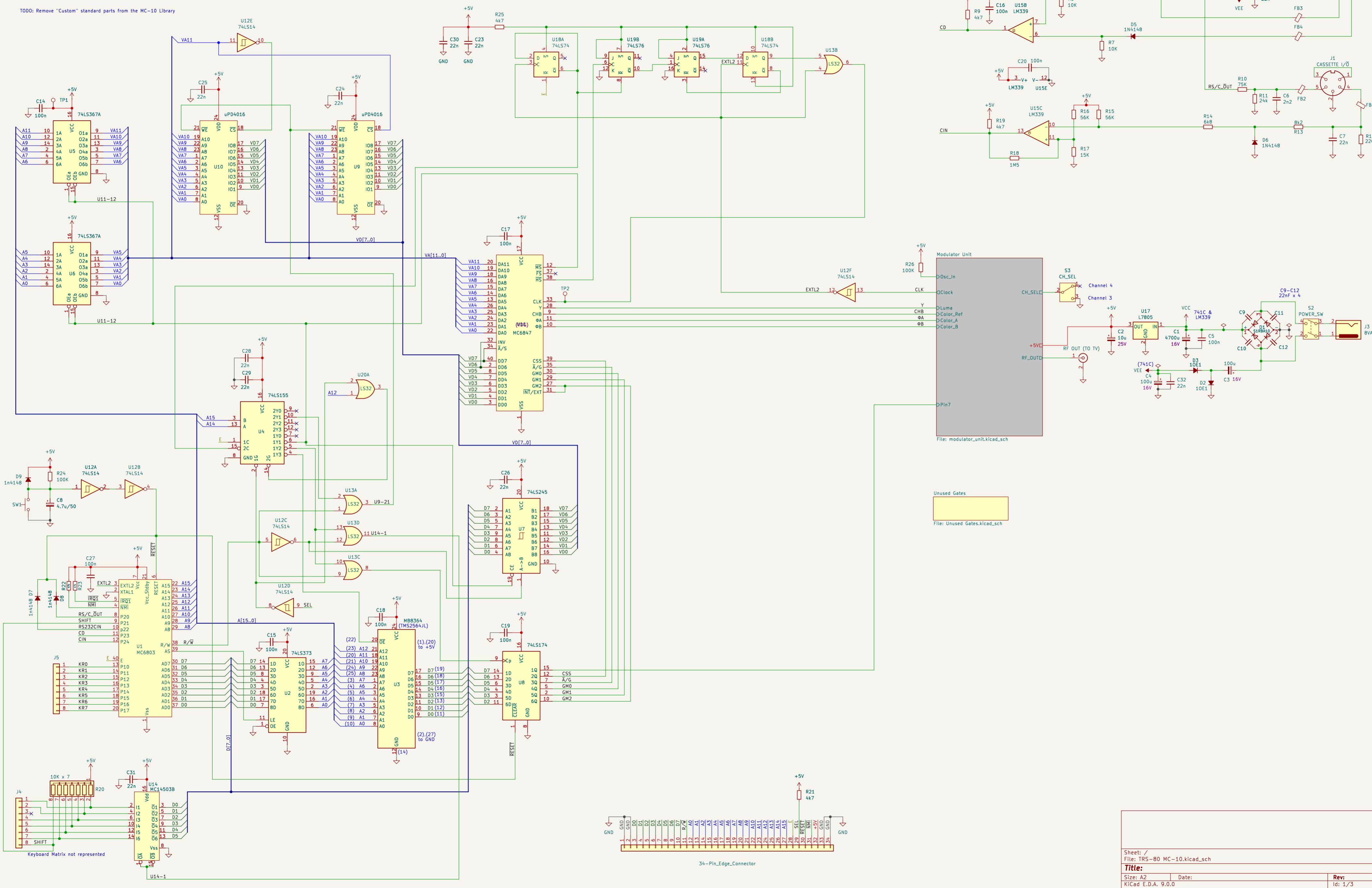
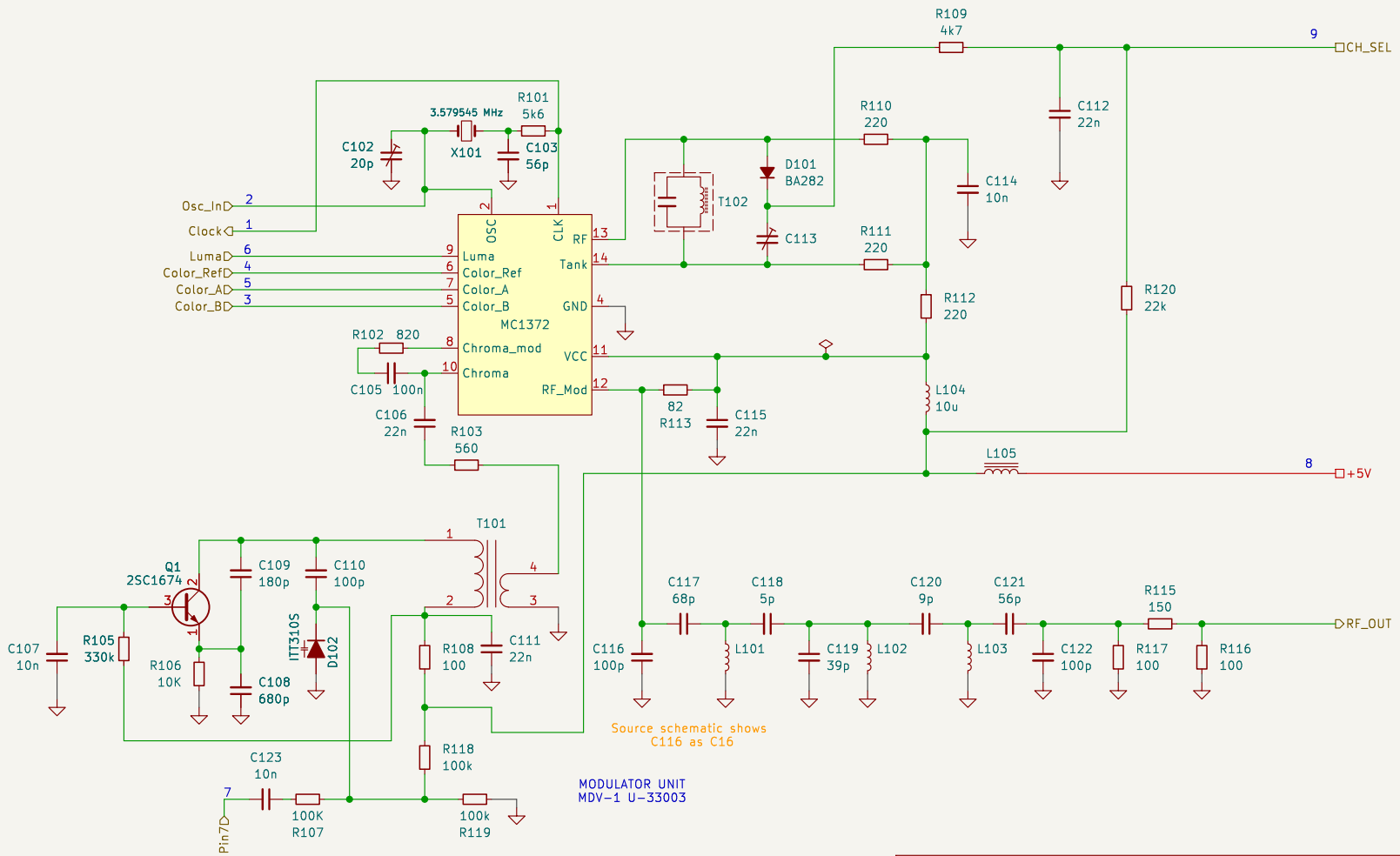


TODD: Remove "Custom" standard parts from the MC-10 Library





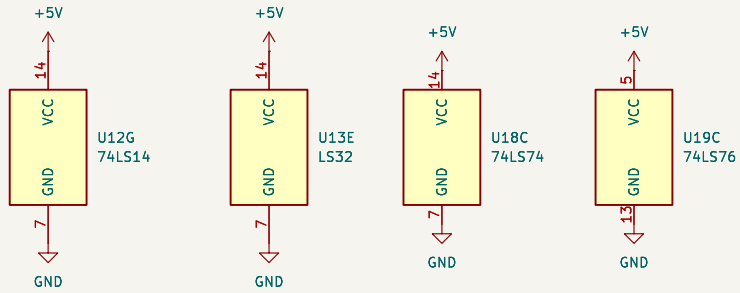
Sheet: /Modulator Unit/  
File: modulator\_unit.kicad\_sch

**Title:**

Size: A4  
KiCad E.D.A. 9.0.0

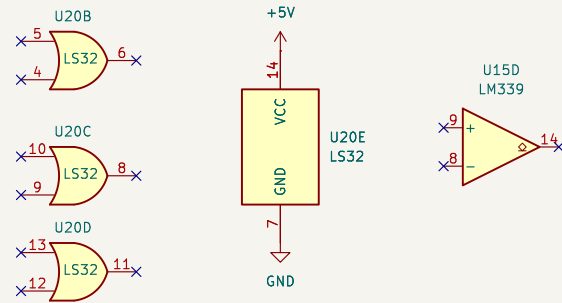
Date:

Rev:  
Id: 2/3



Source schematic does not show decoupling capacitors for these gates

Source schematic does not show unconnected/unused gates.



Sheet: /Unused Gates/  
File: Unused Gates.kicad\_sch

**Title:**

Size: A4  
KiCad E.D.A. 9.0.0

Date:

**Rev:**  
Id: 3/3