

Kicad schematic capture by Rocky Hill
Reference board donated by MrDave3609

Board # 20261058

Tandy Corporation

Sheet: /cpu/

File: cpu.kicad_sch

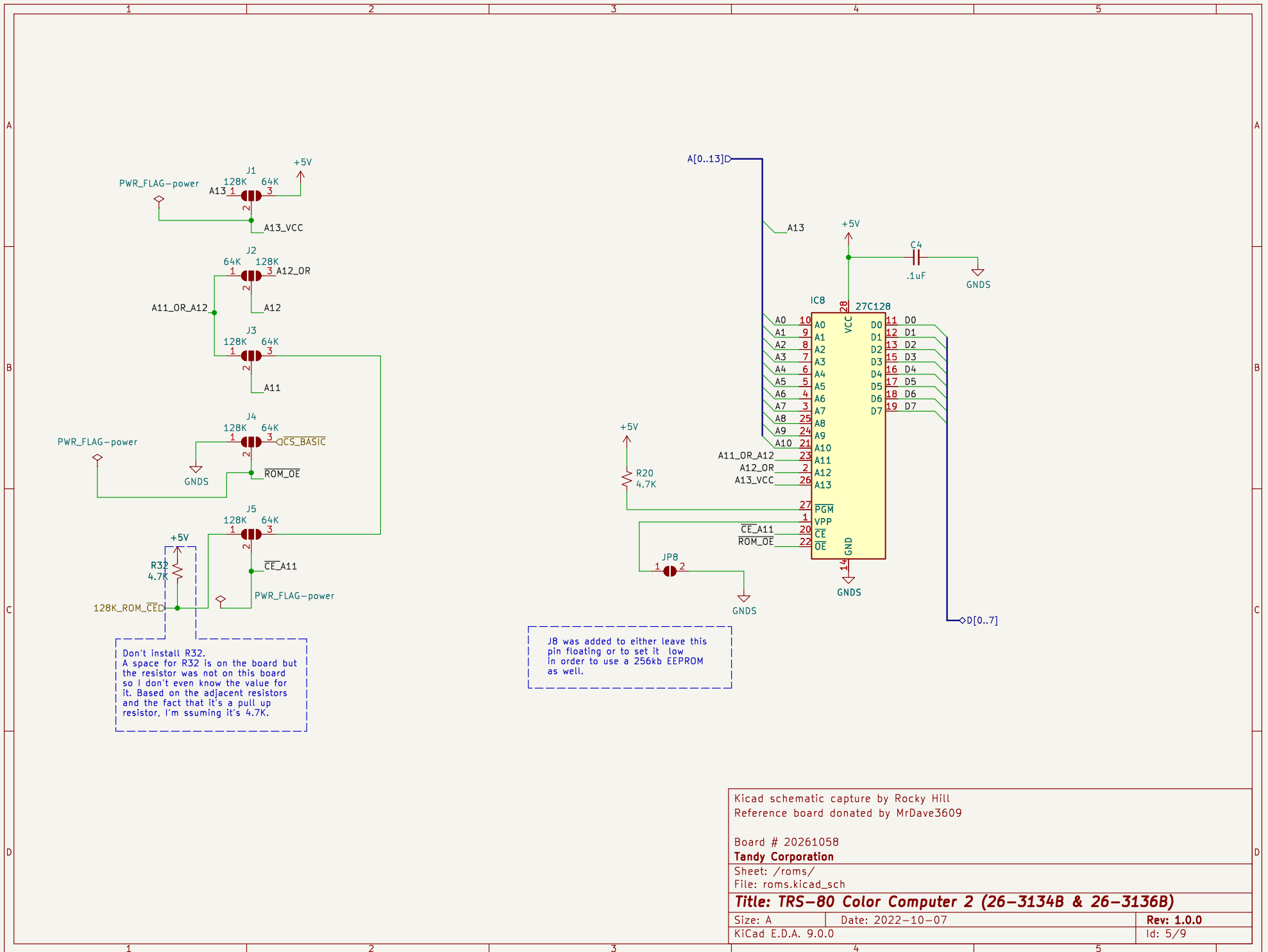
Title: TRS-80 Color Computer 2 (26-3134B & 26-3136B)

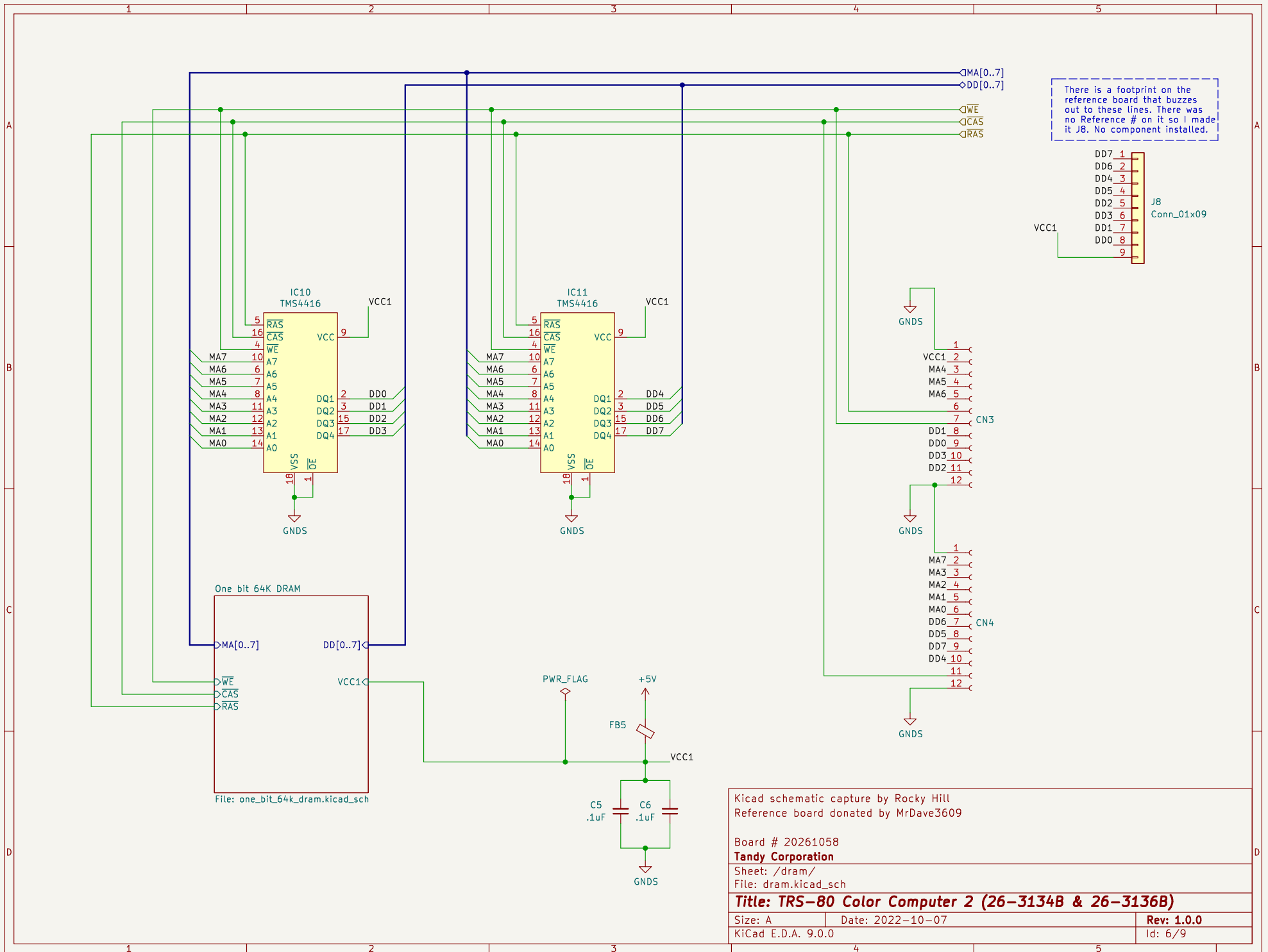
Size: A Date: 2022-10-07

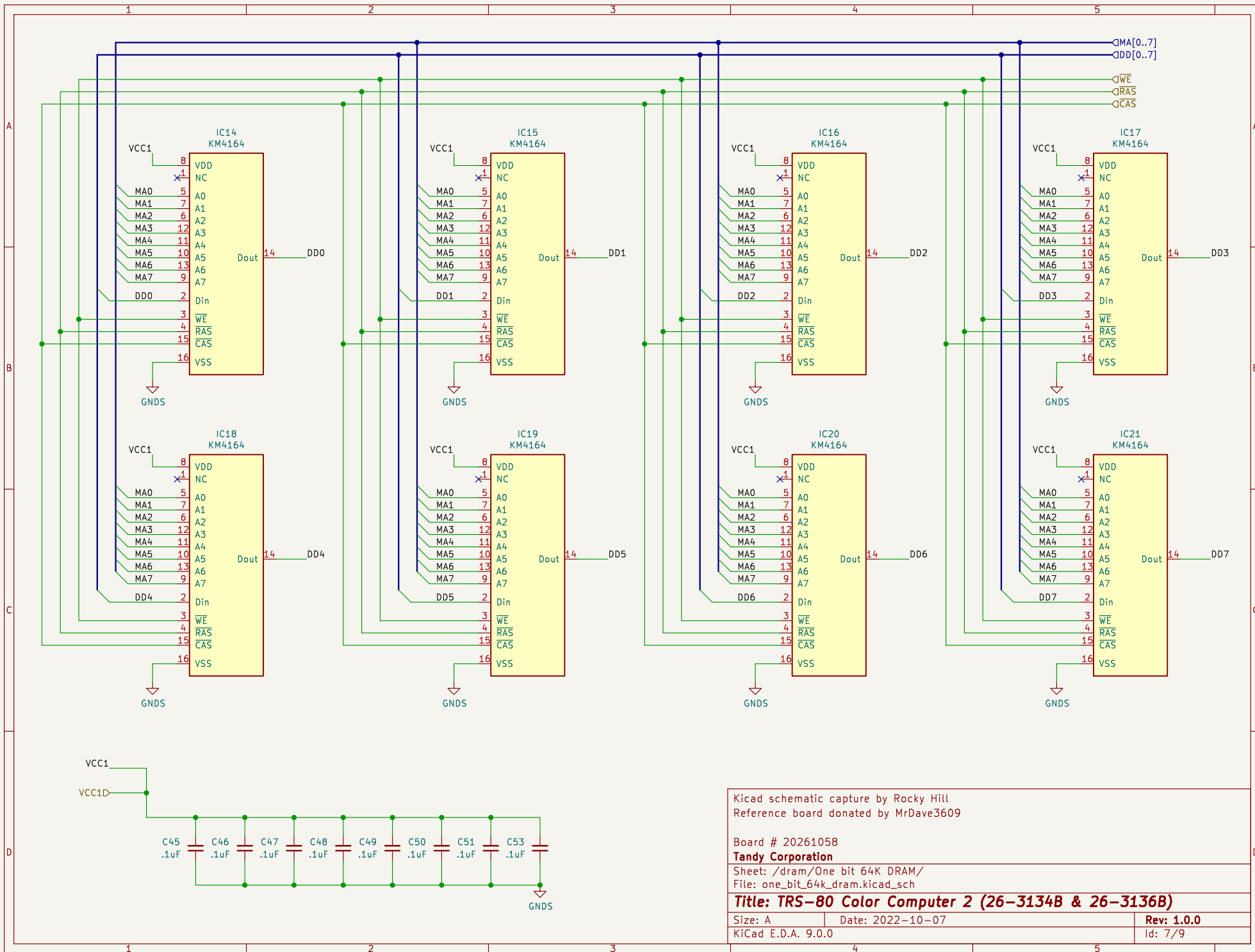
Rev: 1.0.0

KiCad E.D.A. 9.0.0

Id: 2/9







Kicad schematic capture by Rocky Hill
Reference board donated by MrDave3609

Board # 20261058

Tandy Corporation

Sheet: /dram/One bit 64K DRAM/

File: one_bit_64k_dram.kicad_sch

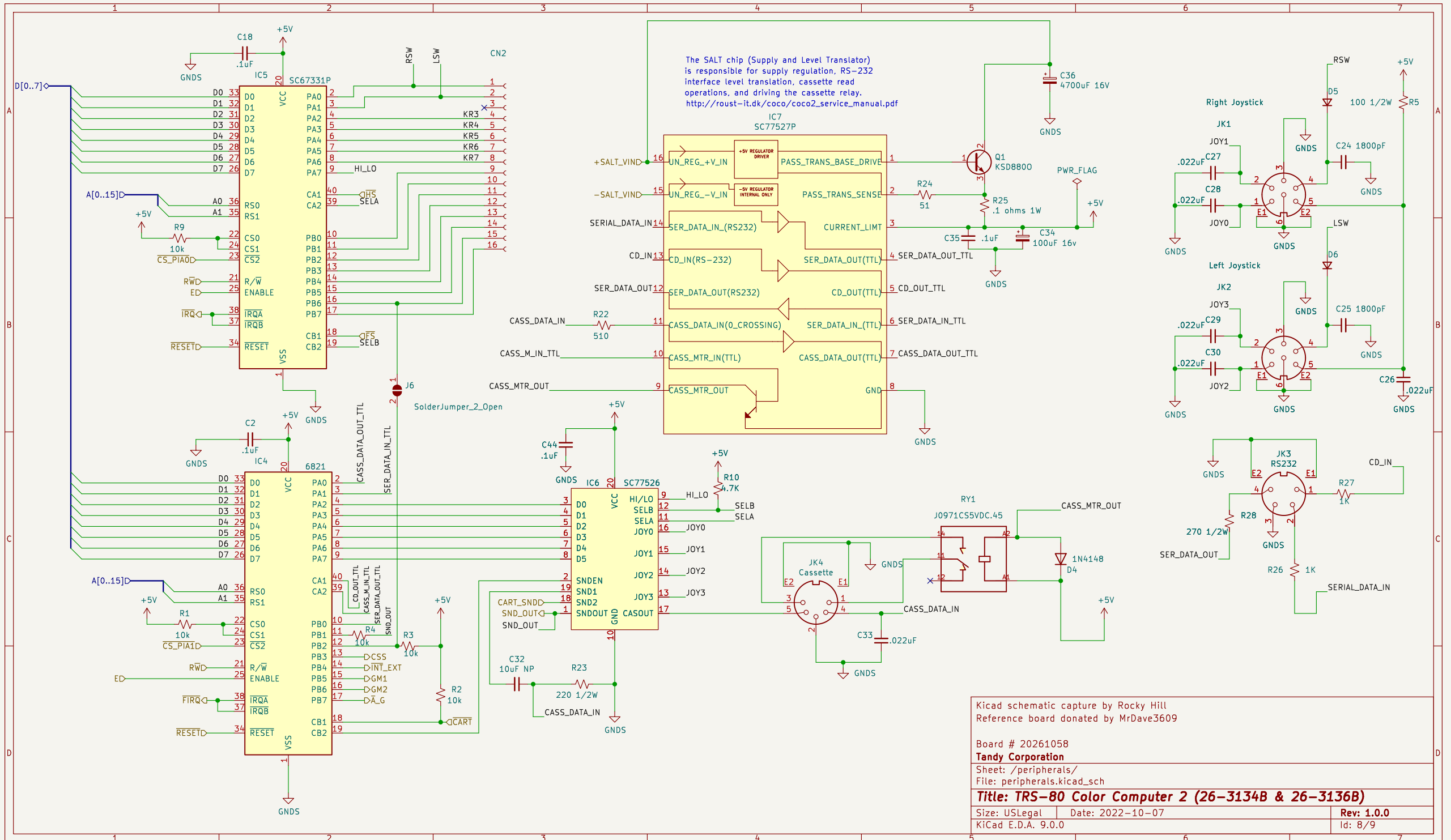
Title: TRS-80 Color Computer 2 (26-3134B & 26-3136B)

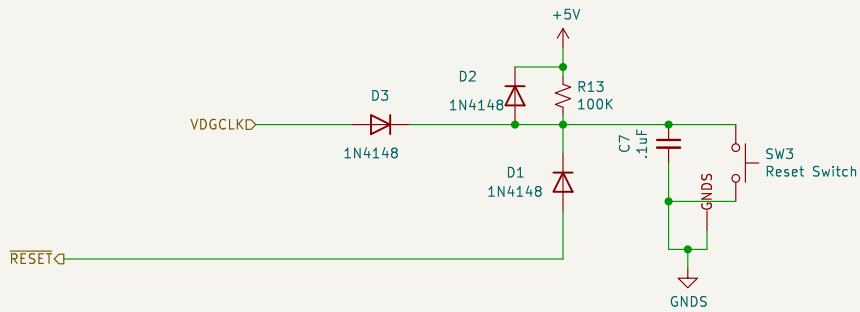
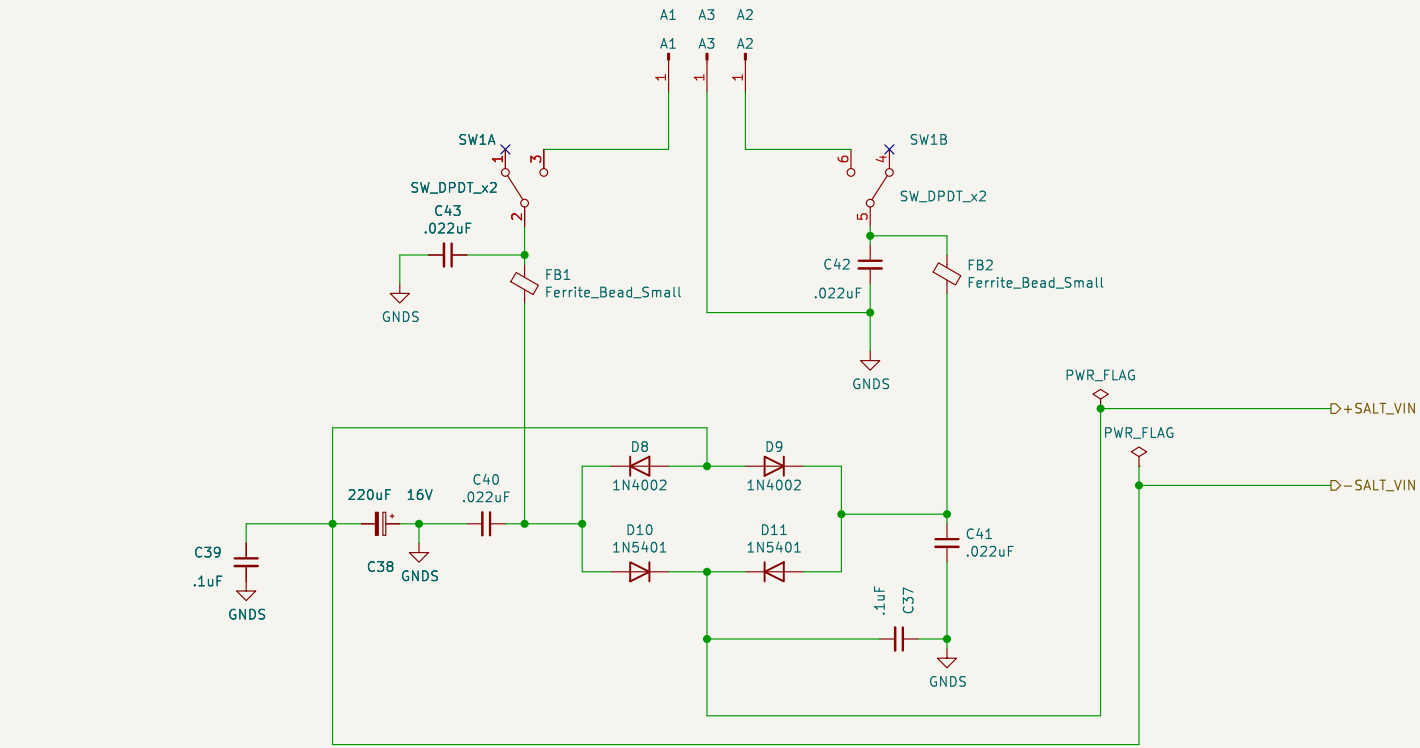
Size: A Date: 2022-10-07

Rev: 1.0.0

KiCad E.D.A. 9.0.0

Id: 7/9





Kicad schematic capture by Rocky Hill
Reference board donated by MrDave3609

Board # 20261058

Tandy Corporation

Sheet: /power/
File: power.kicad_sch

Title: TRS-80 Color Computer 2 (26-3134B & 26-3136B)

Size: A Date: 2022-10-07

Rev: 1.0.0
Id: 9/9