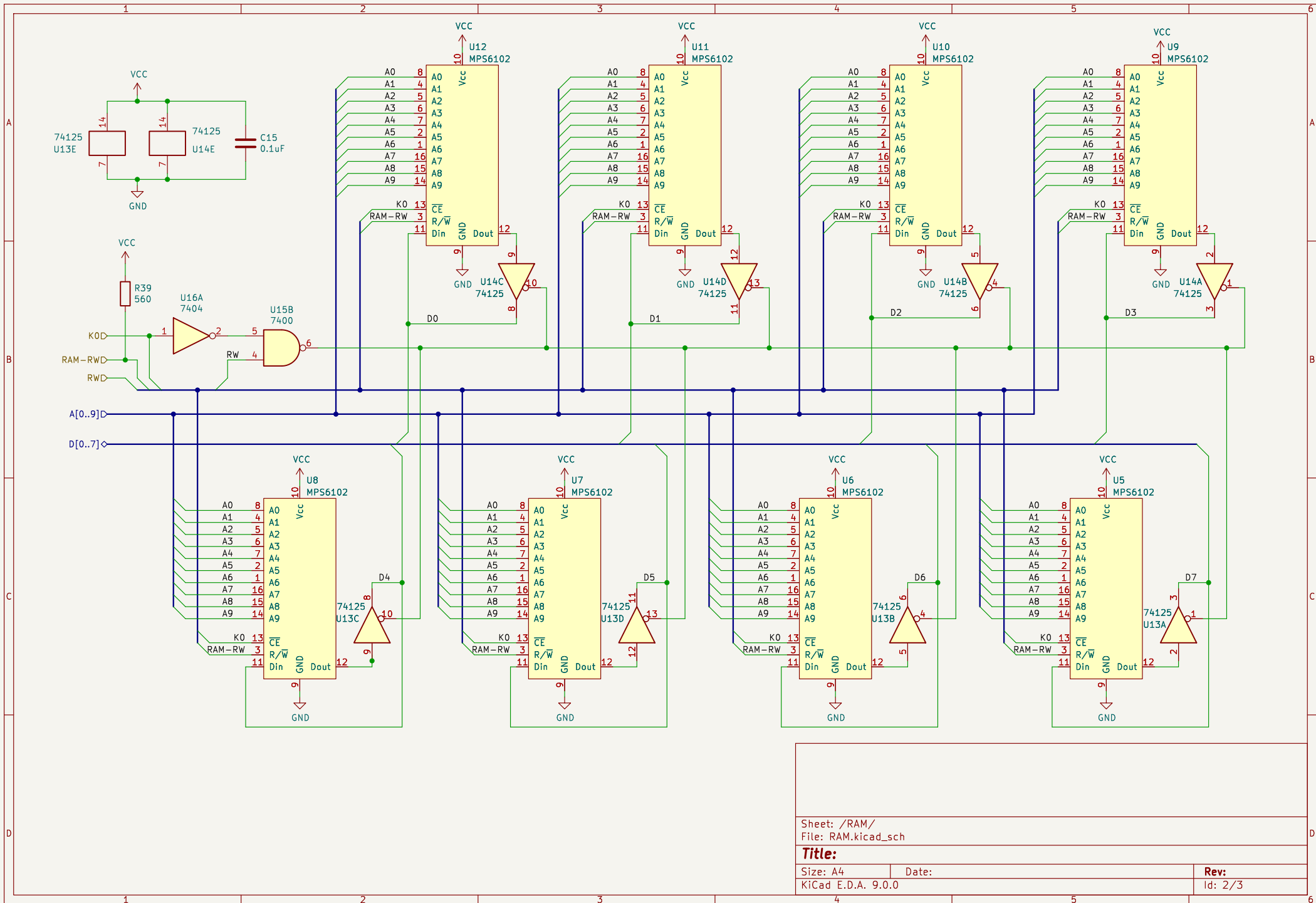


File: RAM.kicad\_sch

Sockets 1  
File: sockets\_1.kicad\_sch

Transcribed from "High-Resolution Sprite-Oriented Color Graphics" by Steve Ciarcia, Byte, August 1982  
<http://cini.classiccmp.org/pdf/byte/Hi-Res%20Graphics%20TMS9918%20BYTE%200882.pdf.pdf>

<b>Scott Alfter</b>	
Sheet: /	
File: ezcgi.kicad_sch	
<b>Title: Circuit Cellar E-Z Color Graphics Interface for Apple II</b>	
Size: USLetter	Date: 2022-11-20
KiCad E.D.A. 9.0.0	Rev: Id: 1/3



Sheet: /RAM/  
File: RAM.kicad\_sch

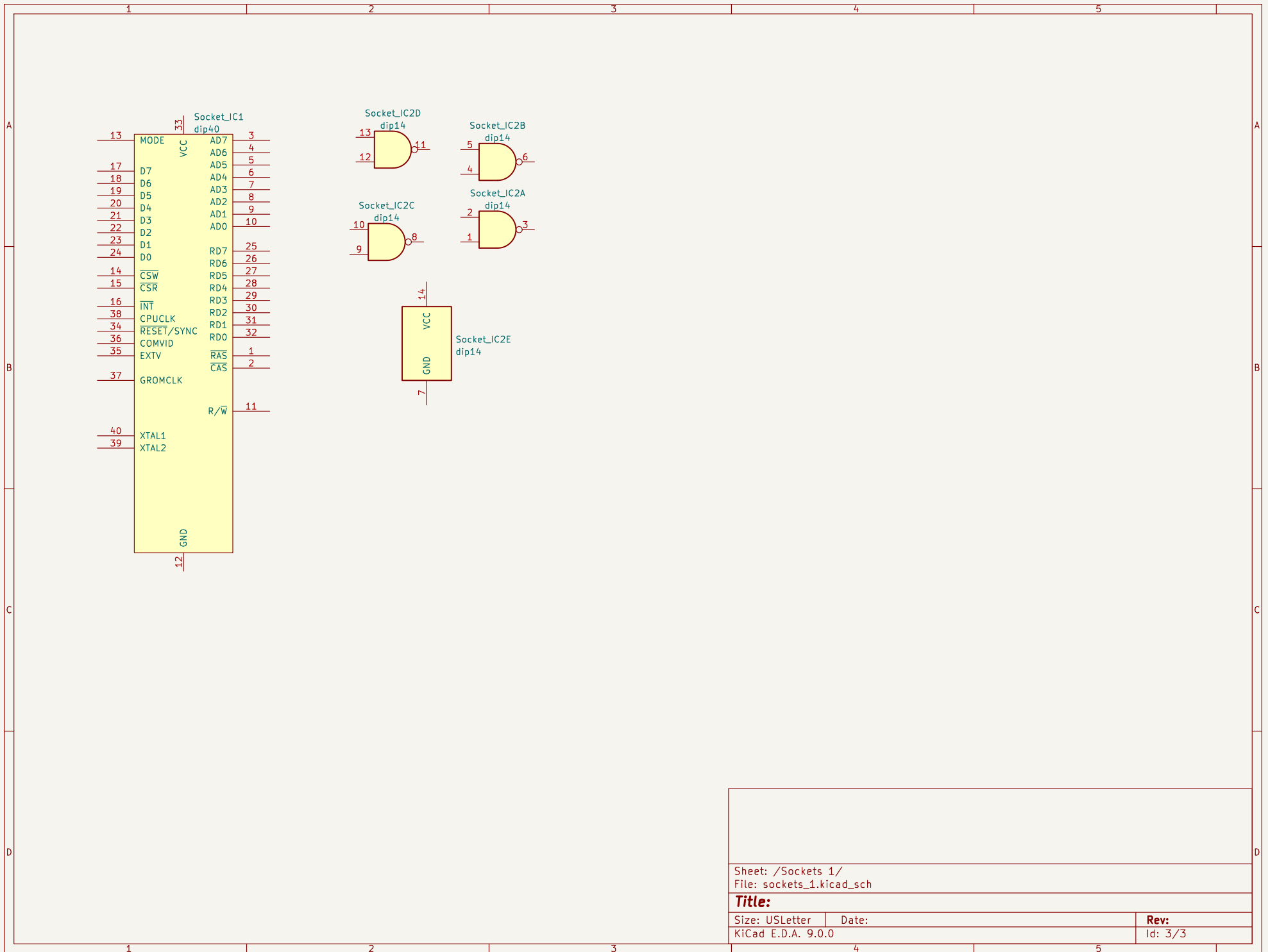
**Title:**

Size: A4  
KiCad E.D.A. 9.0.0

Date:

Rev:

Id: 2/3



Sheet: /Sockets 1/  
File: sockets\_1.kicad\_sch

**Title:**

Size: USLetter Date:  
KiCad E.D.A. 9.0.0

Rev:  
Id: 3/3