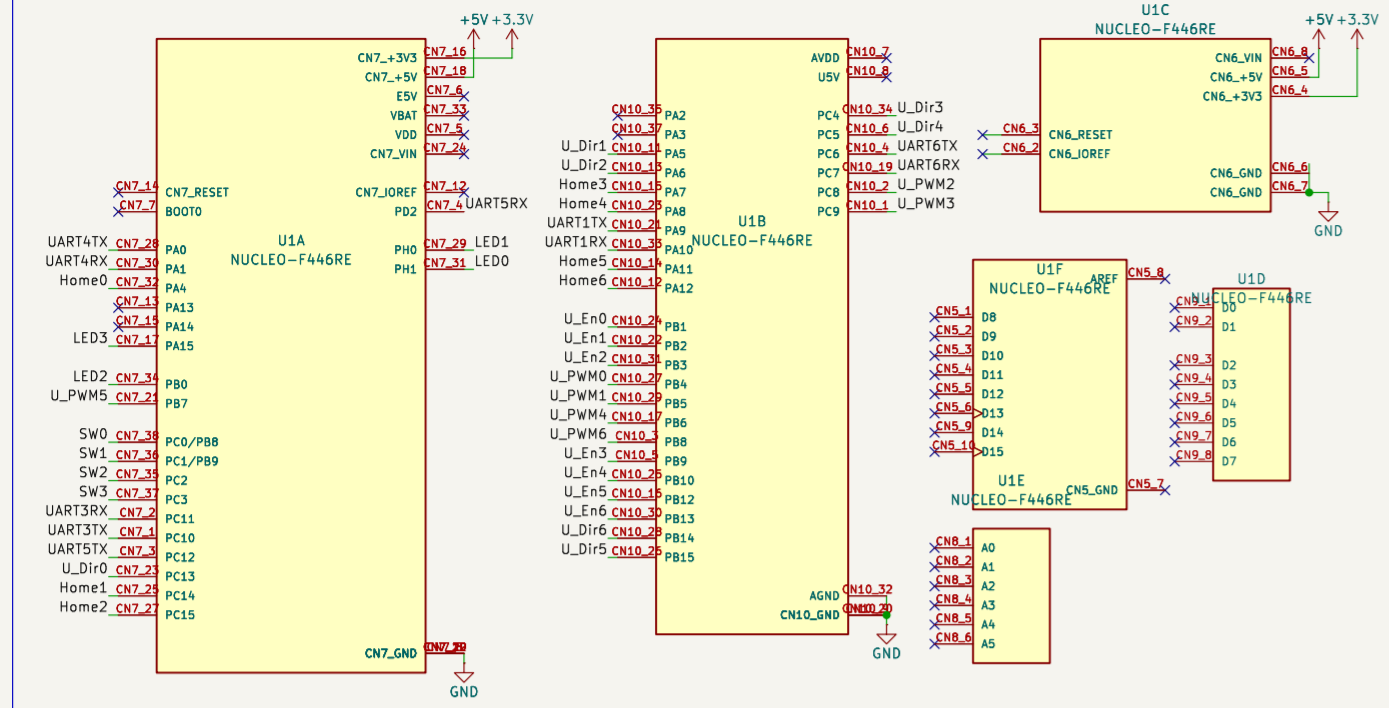
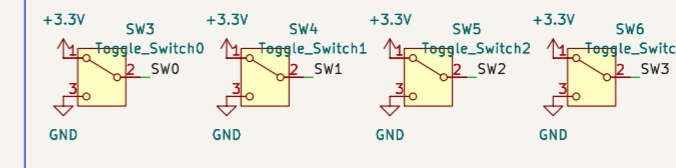


# STM32

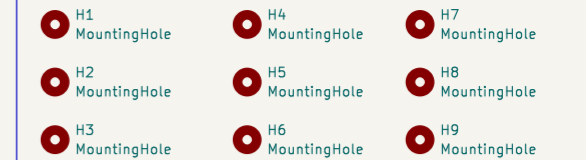
Note 3V3 CN7\_18 is wired directly to CN6\_5.  
Also +5V CN7\_16 is wired directly to CN6\_4.  
These are supplied by VR U4.



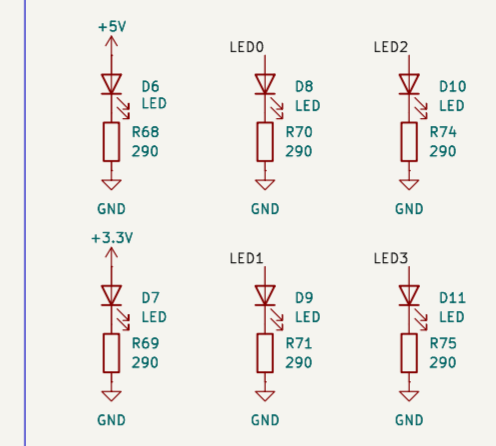
# Data Switch



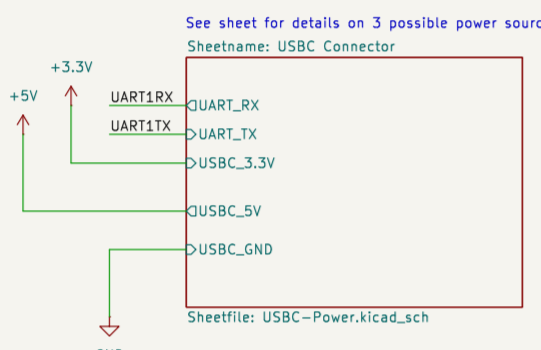
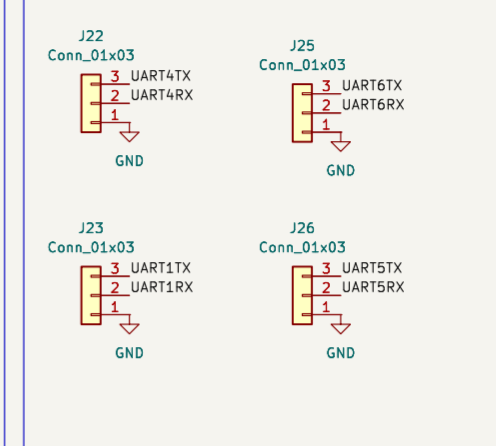
# Holes



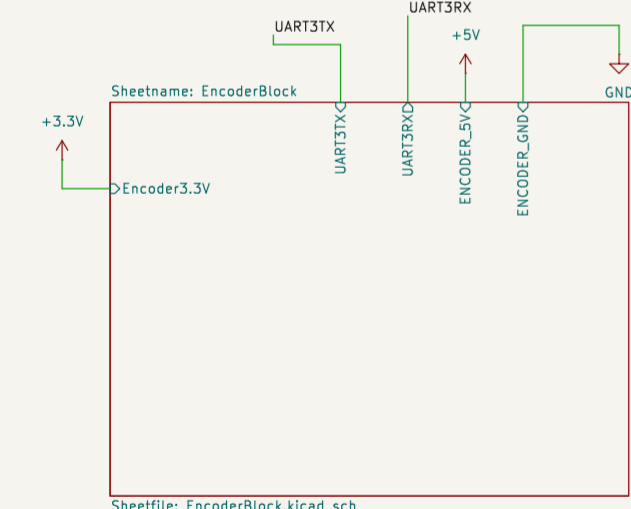
# LEDs



# UART port

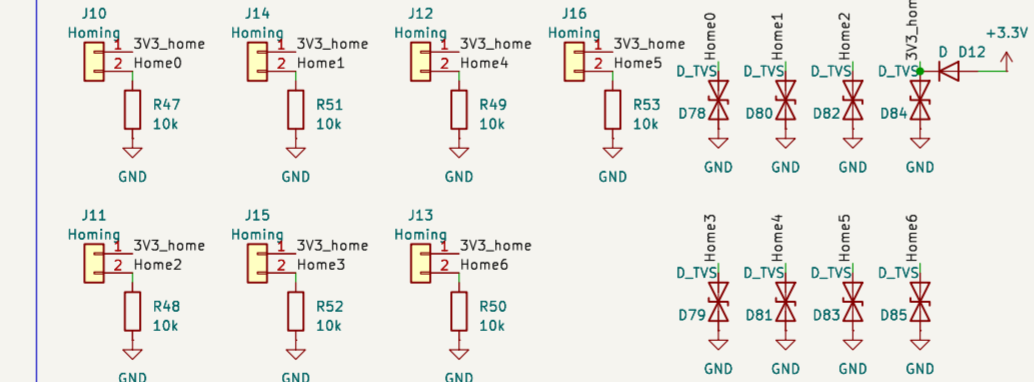


See sheet for details on 3 possible power sources  
Sheetname: USBC Connector  
Sheetfile: USBC-Power.kicad\_sch

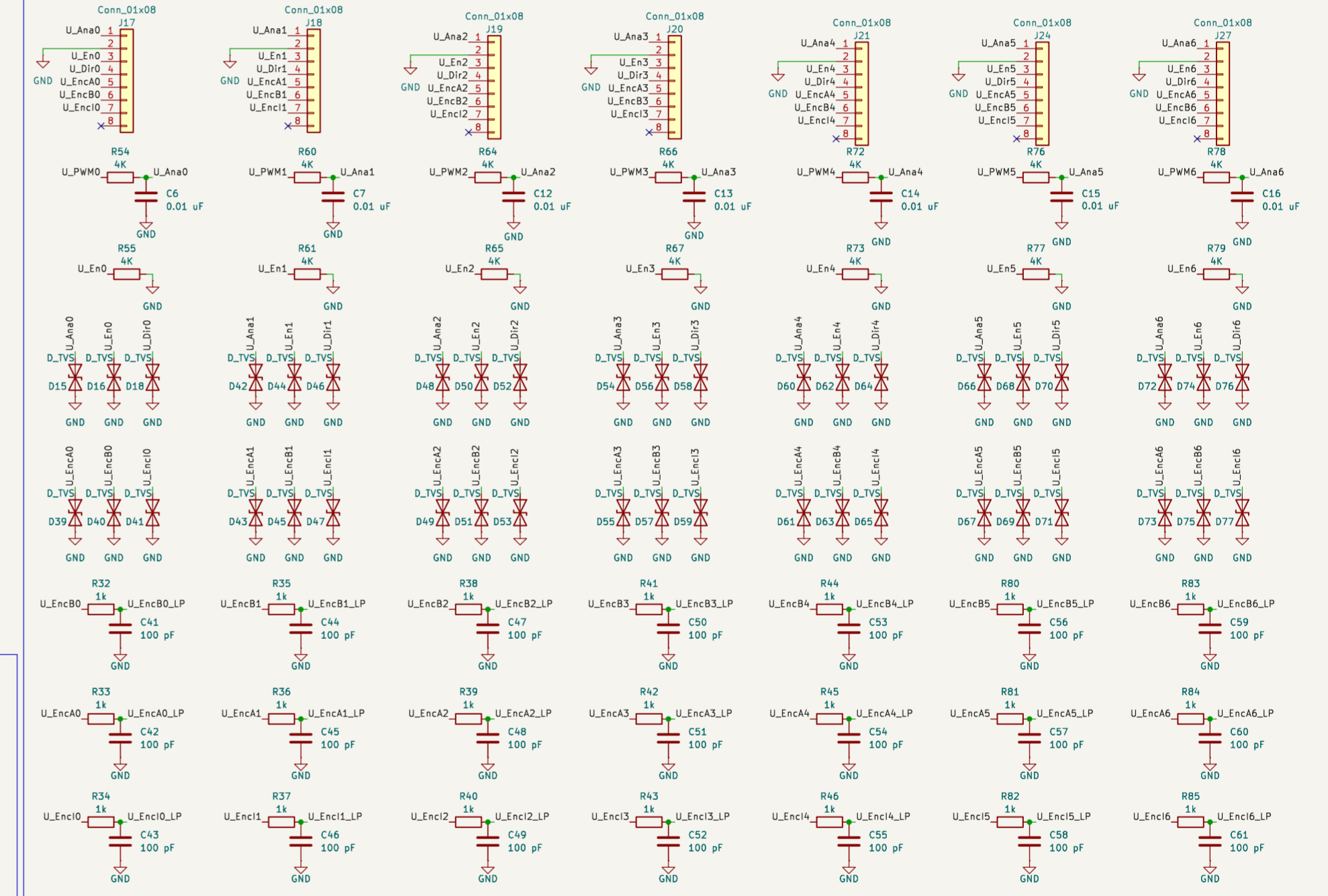


Sheetfile: EncoderBlock.kicad\_sch

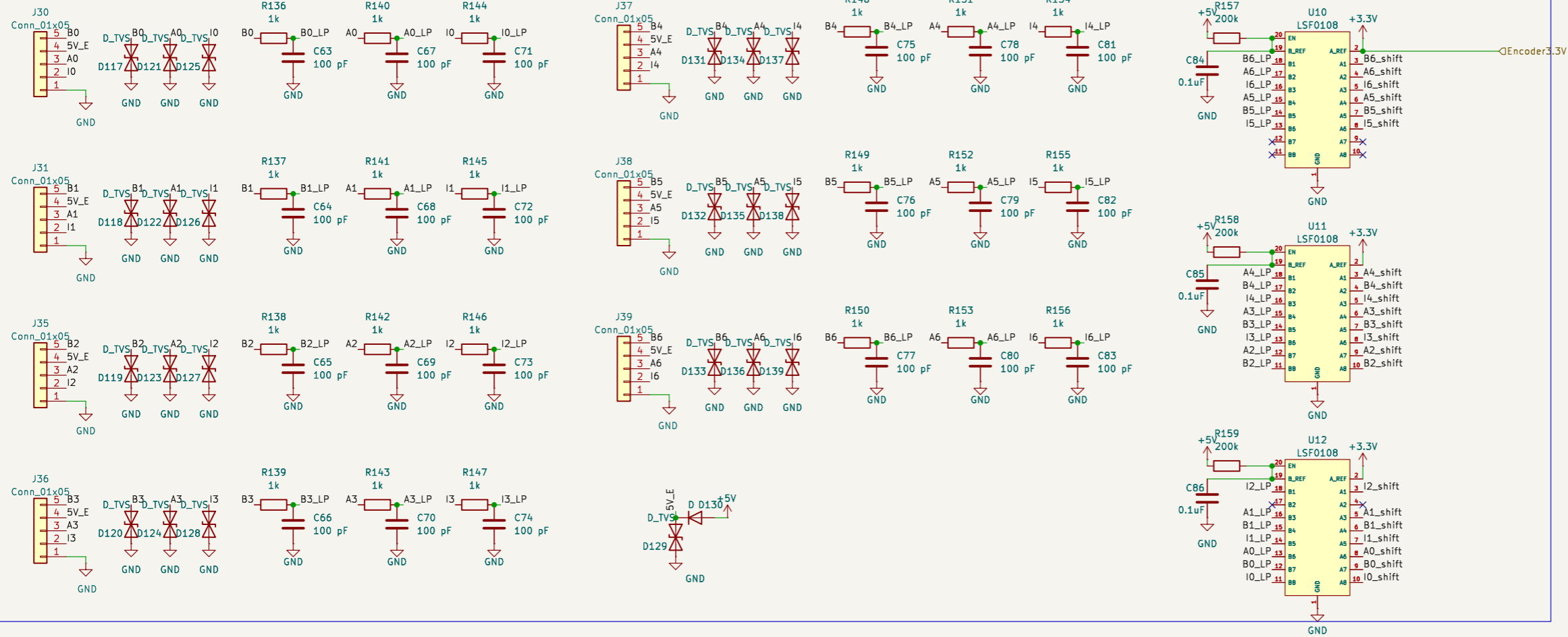
# Homing



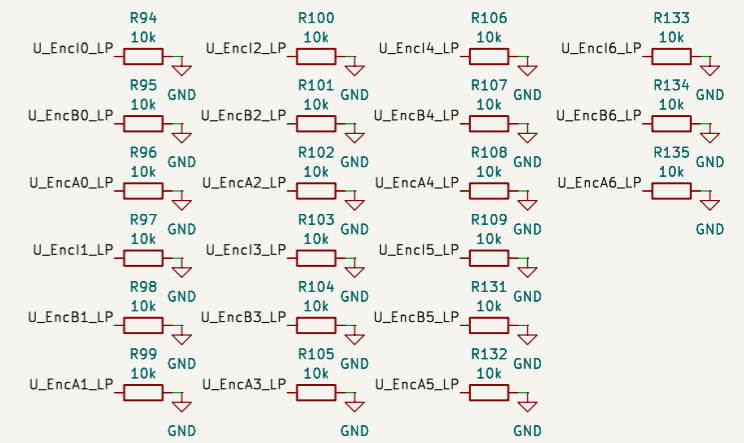
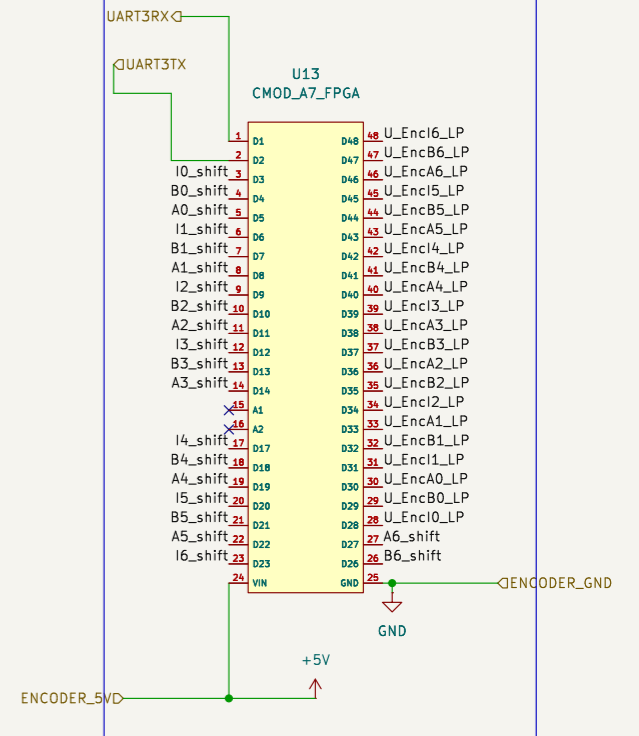
# Ultrasonic Motors



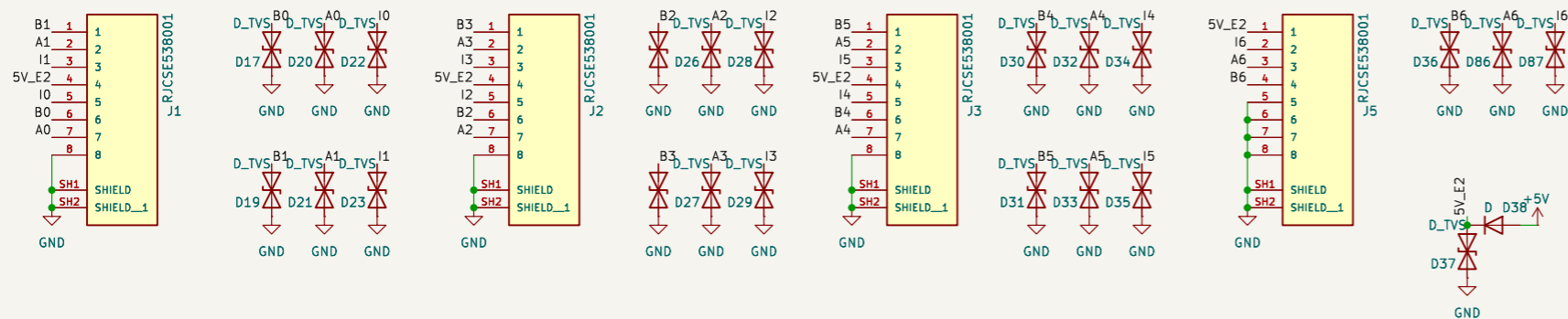
# Encoders



# CMOD7 FPGA



# Ethernet Encoder Wires



Sheet: /EncoderBlock/  
File: EncoderBlock.kicad\_sch

**Title:**

Size: A3

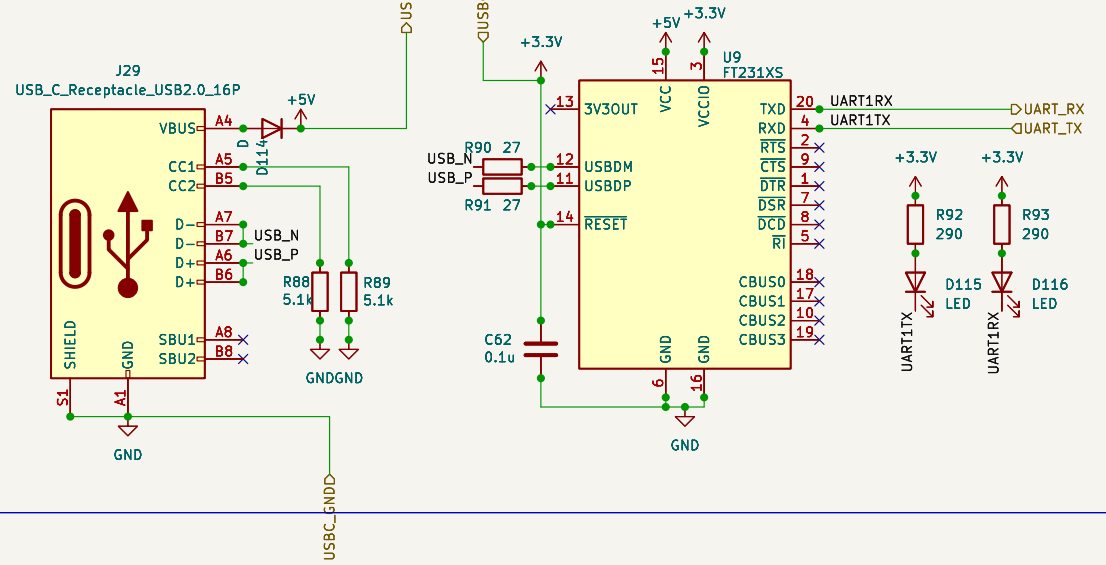
Date:

**Rev:**

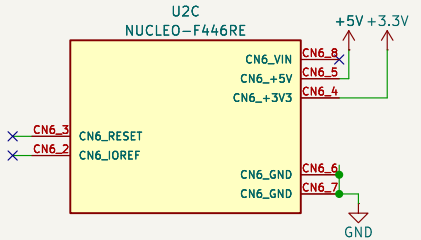
KiCad E.D.A. 9.0.0

Id: 2/3

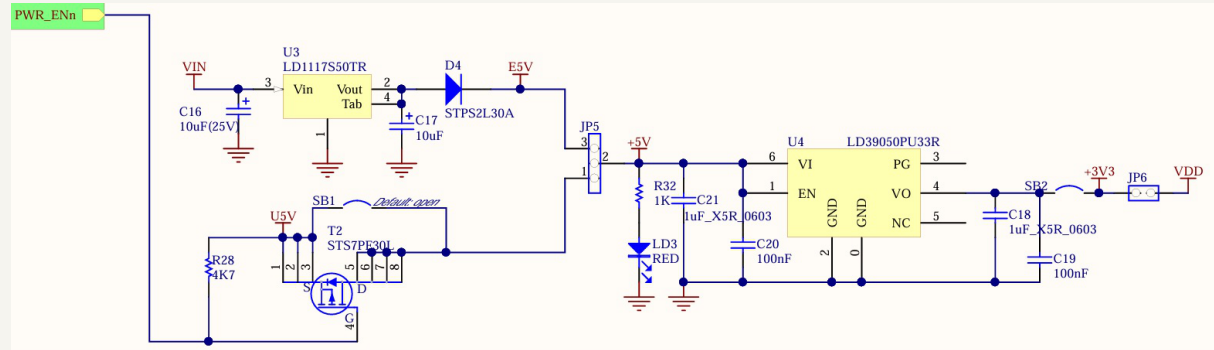
# USBC Connector



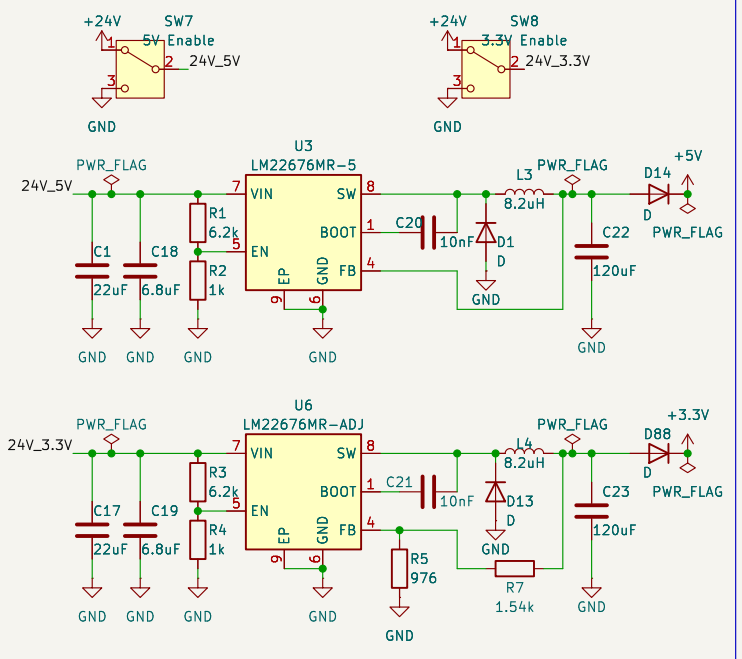
Power from USB mini on Nucleo446 board (CN1)



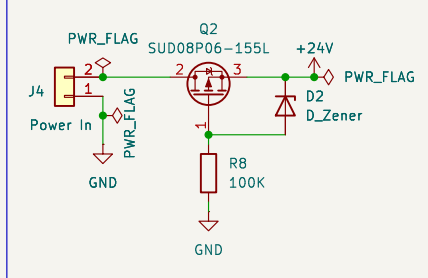
- Power comes from either:
- 1) USBC connector
  - 2) mini-USB after st-link power enable
  - 3) 24 volt supply



# Voltage Converters



# Power In



Sheet: /USBC Connector/  
File: USBC-Power.kicad\_sch

<b>Title:</b>		<b>Rev:</b>	
Size: A4	Date:		
KiCad E.D.A. 9.0.0		Id: 2/3	