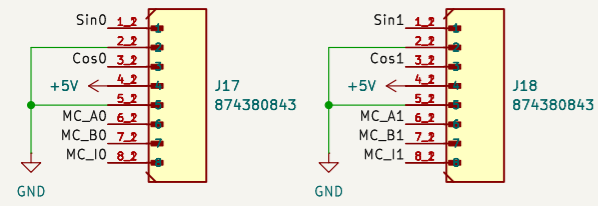
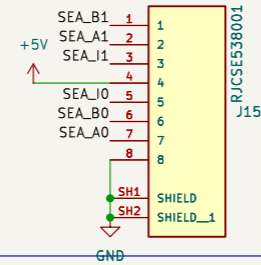


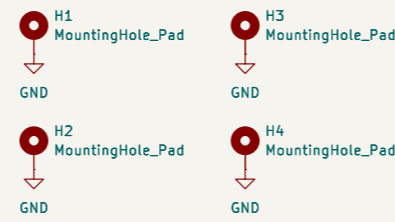
### Motor Controllers (I)



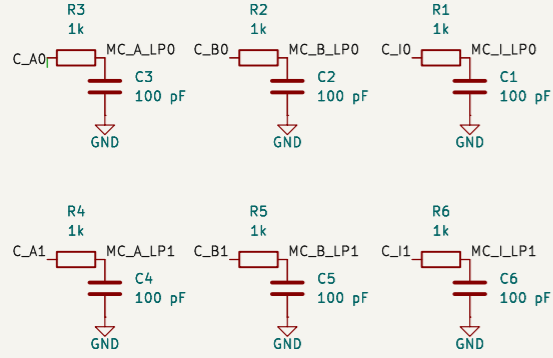
### Encoders (I)



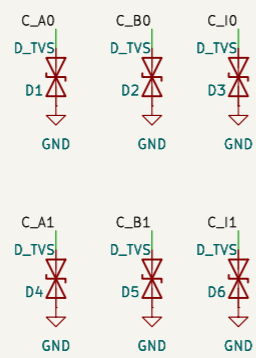
### Holes



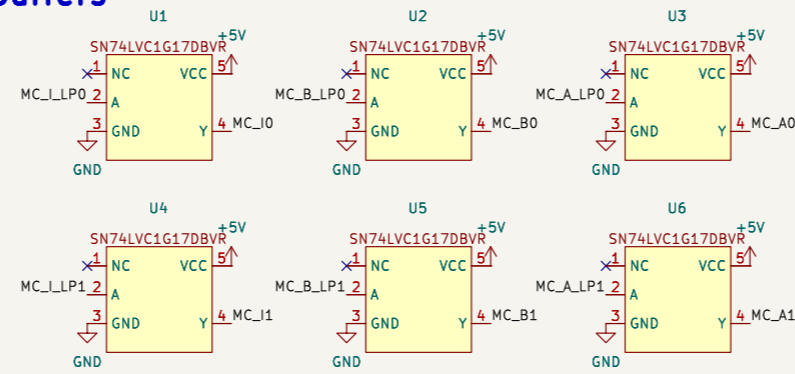
### Low Pass



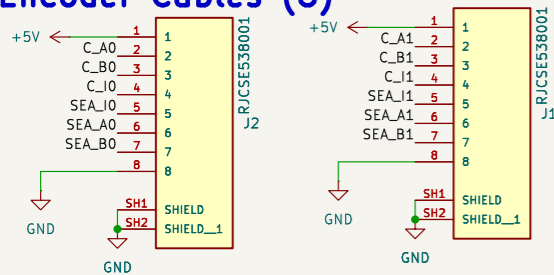
### TVS Diodes



### Buffers



### Encoder Cables (O)



### Motor Cables (O)

