

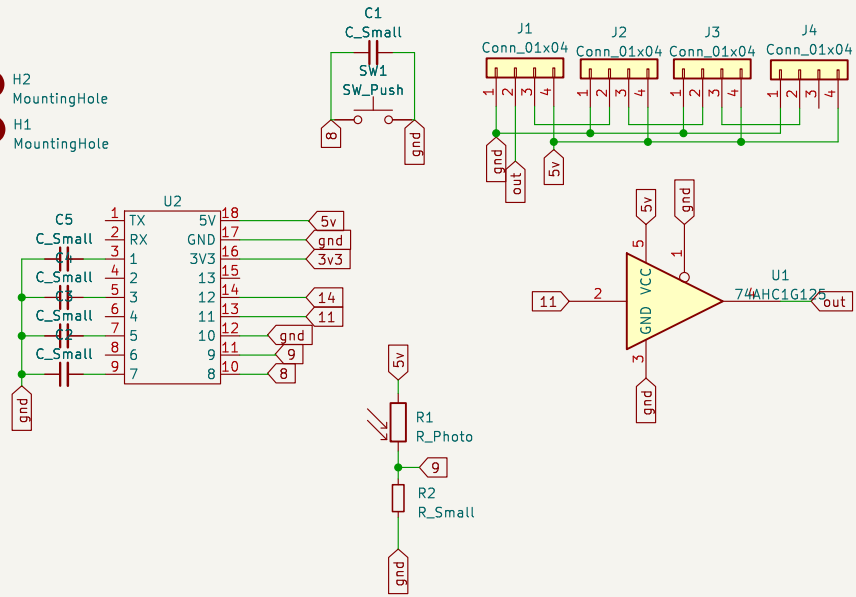


-  H2 MountingHole
-  H1 MountingHole



Sheet: /		
File: 7seg-stand.kicad_sch		
Title:		
Size: A4	Date:	Rev:
KiCad E.D.A. 9.0.0		Id: 1/1