

control-mod



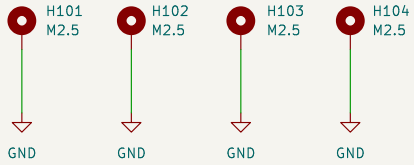
File: control-mod.kicad_sch

output-stage



File: output-stage.kicad_sch

1. Refer TPIC6B595 Datasheet before route the shift register tracks.
2. Place sufficient thermal pads for TPIC6B595.
3. Use 0603 package for all SMD resistors.
4. Use 0603 package for all SMD capacitors.



<https://github.com/dilshan/24ch-usb-high-voltage-driver>
jayakody2000tk@gmail.com

Dilshan R Jayakody

Sheet: /

File: 24-ch-relay-driver-kicad.kicad_sch

Title: 24-Channel USB Relay Driver

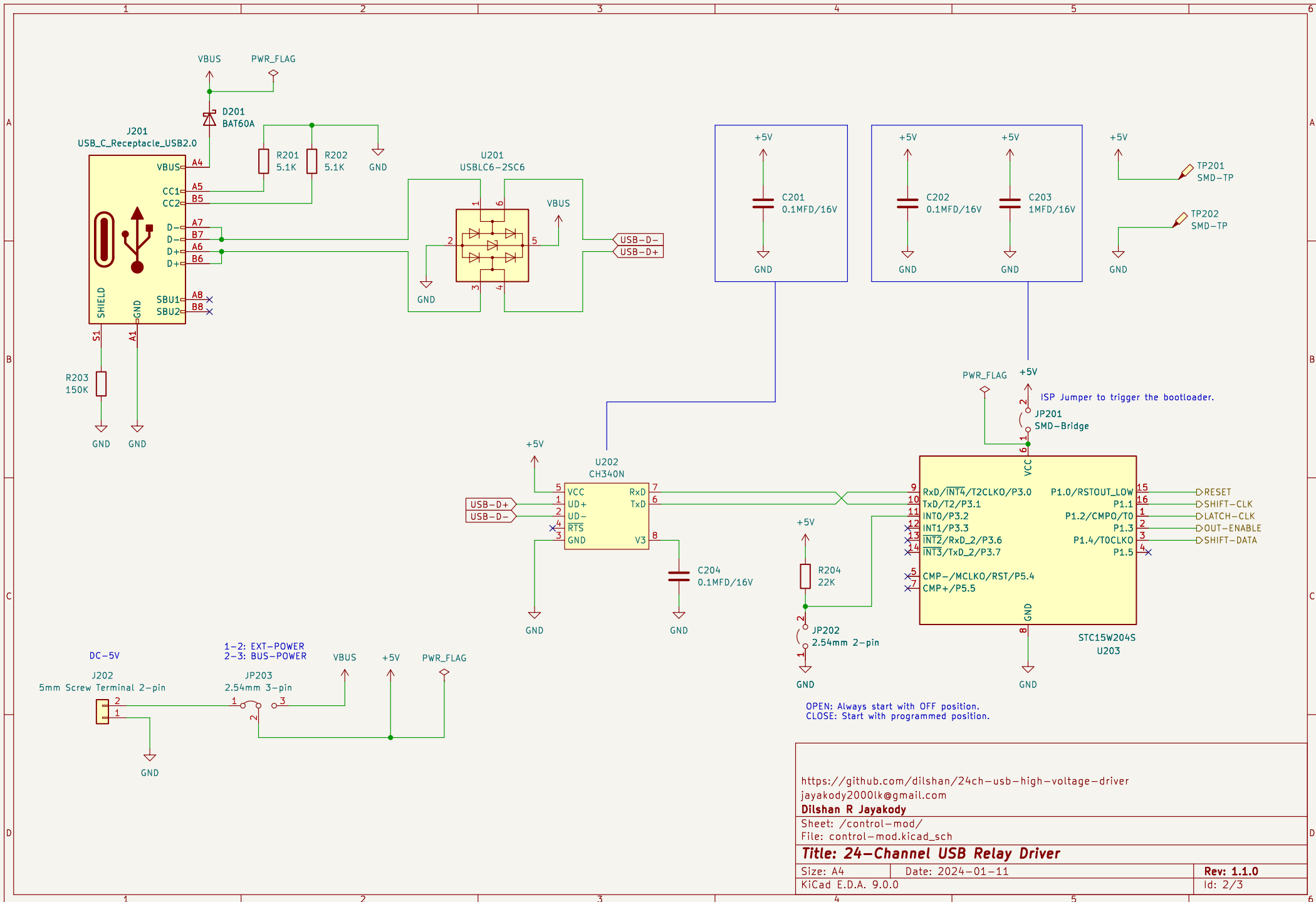
Size: A4

Date: 2024-01-11

Rev: 1.1.0

KiCad E.D.A. 9.0.0

Id: 1/3



<https://github.com/dilshan/24ch-usb-high-voltage-driver>
jayakody2000tk@gmail.com

Dilshan R Jayakody

Sheet: /control-mod/

File: control-mod.kicad_sch

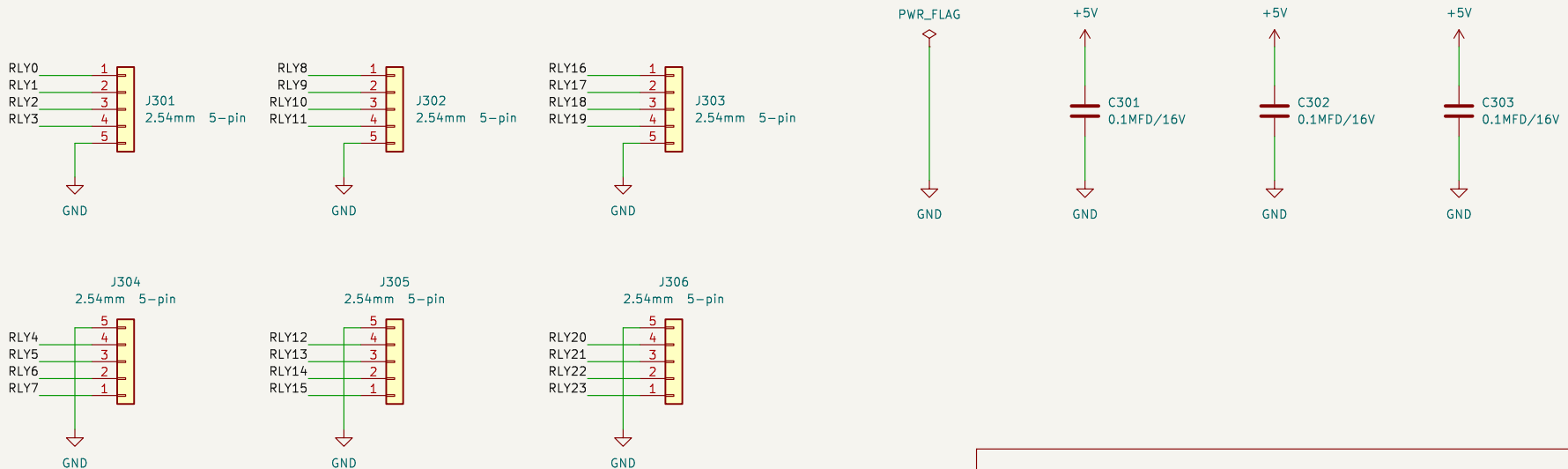
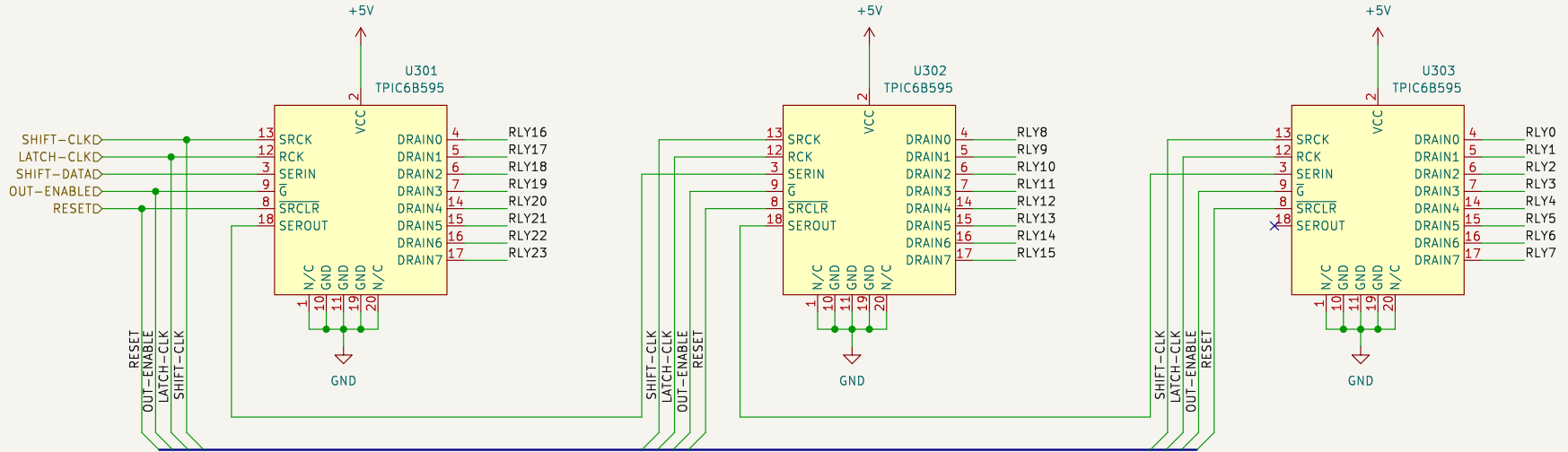
Title: 24-Channel USB Relay Driver

Size: A4 Date: 2024-01-11

KiCad E.D.A. 9.0.0

Rev: 1.1.0

Id: 2/3



<https://github.com/dilshan/24ch-usb-high-voltage-driver>
 jayakody2000tk@gmail.com
Dilshan R Jayakody
 Sheet: /output-stage/
 File: output-stage.kicad_sch
Title: 24-Channel USB Relay Driver

Size: A4	Date: 2024-01-11	Rev: 1.1.0
KiCad E.D.A. 9.0.0		Id: 3/3