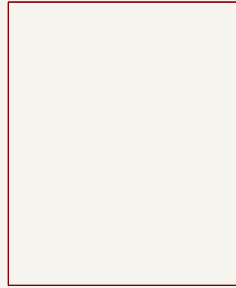
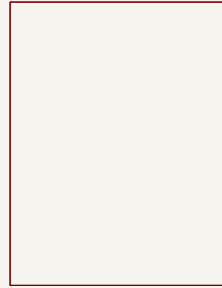


sample1



File: sample1.kicad\_sch

sample2



File: sample2.kicad\_sch

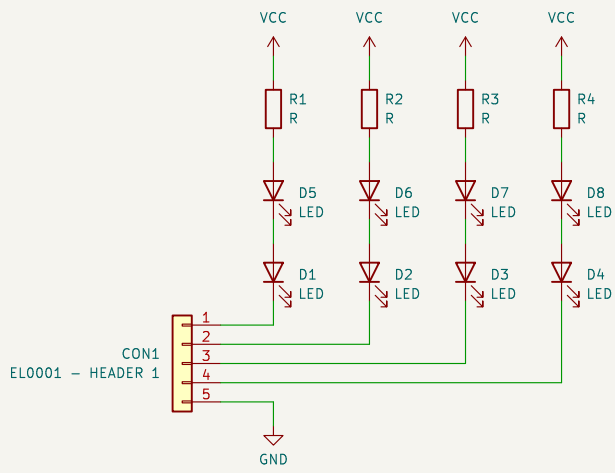
Sheet: /  
File: sample-driver-interface.kicad\_sch

**Title:**

Size: A4  
KiCad E.D.A. 9.0.0

Date:

**Rev:**  
Id: 1/3



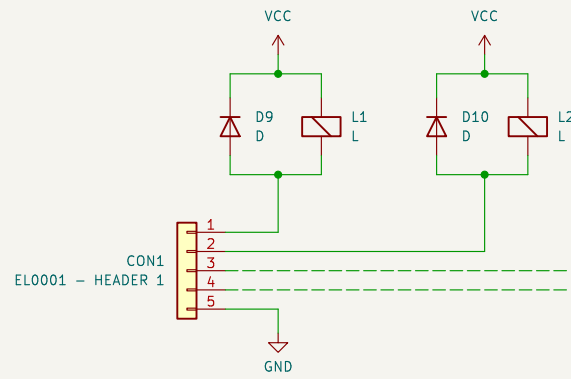
Sheet: /sample1/  
File: sample1.kicad\_sch

**Title:**

Size: A4  
KiCad E.D.A. 9.0.0

Date:

Rev:  
Id: 2/3



Sheet: /sample2/  
File: sample2.kicad\_sch

**Title:**

Size: A4  
KiCad E.D.A. 9.0.0

Date:

**Rev:**  
Id: 3/3