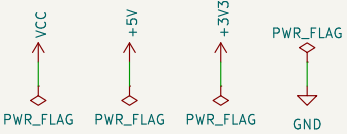
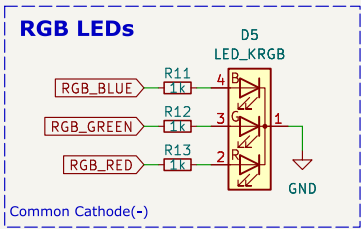
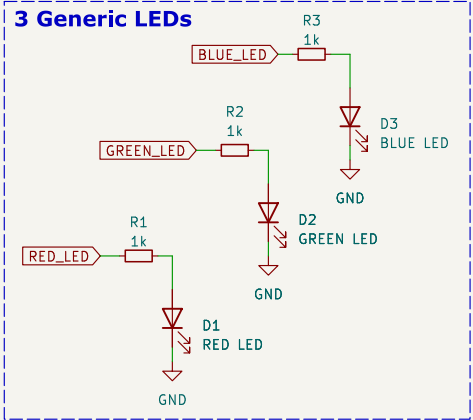
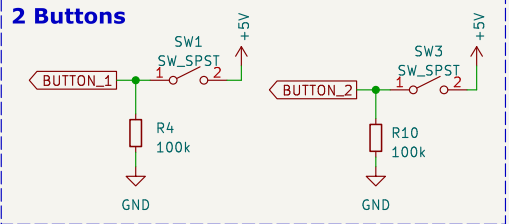
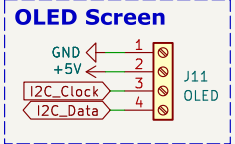
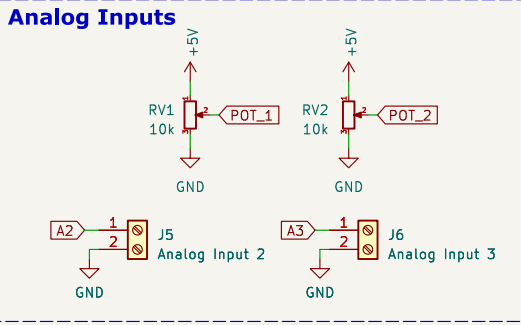
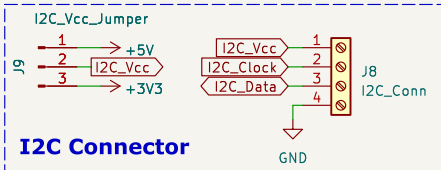
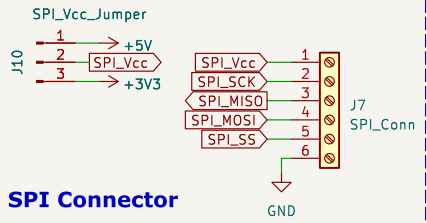
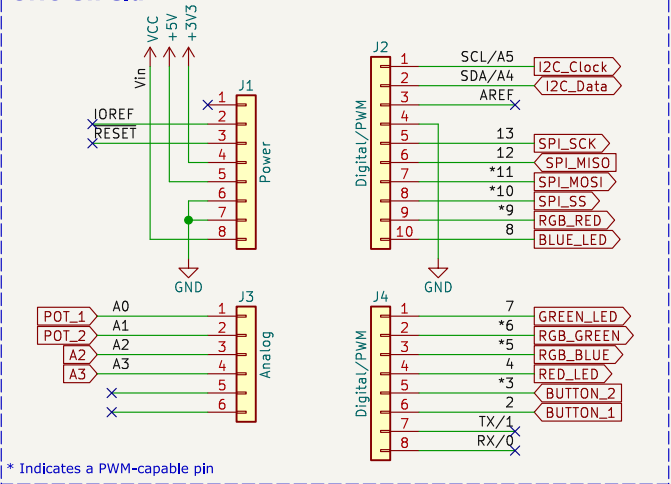


UNO Shield



Goncalo	
Sheet: /	
File: Uno_Shield_PhaseB.kicad_sch	
Title: UNO Shield Phase B	
Size: A4	Date: 2024-01-27
KiCad E.D.A. 9.0.0	Rev: 1.0
	Id: 1/1