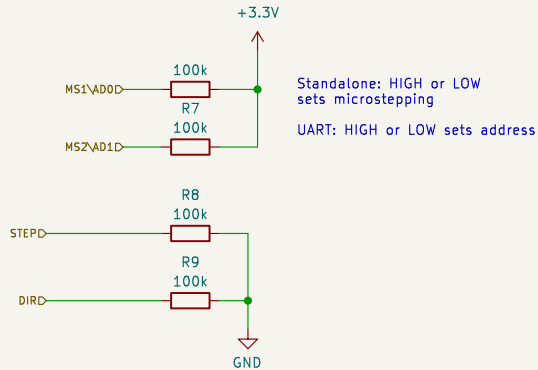
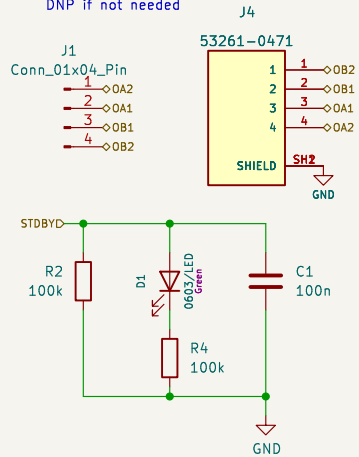
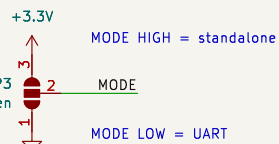
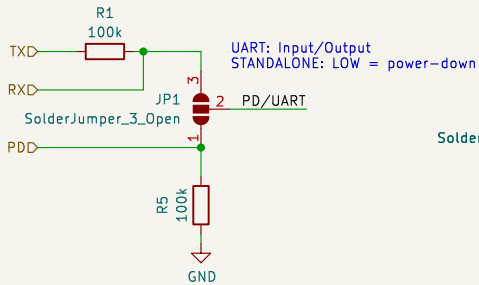


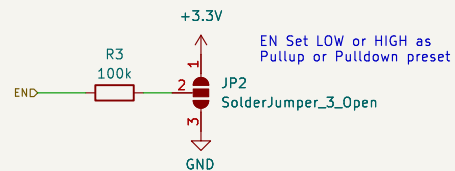
Stepper connector:  
Standard 1.27 TH connector for hand soldering  
Molex Picoblade 4p SMD  
DNP if not needed



Standalone: HIGH or LOW sets microstepping  
UART: HIGH or LOW sets address

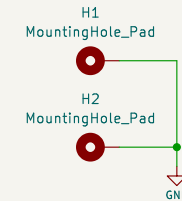
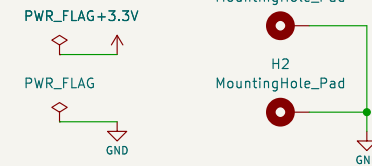
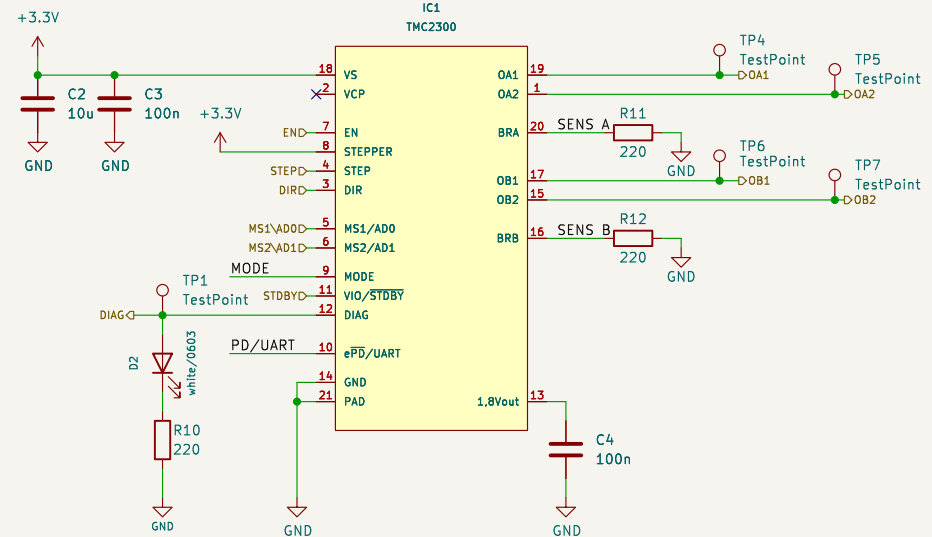


MODE HIGH = standalone  
MODE LOW = UART



EN Set LOW or HIGH as Pullup or Pulldown preset

Symbol:OSHW-Logo\_5.7x6mm\_SilkScreen



tto t-oui board connector:  
1>16 counterclockwise

1. RST
2. GPIO2/ADC1
3. GPIO4/ADC2/MTMS
4. GPIO5ADC3/MTDI
5. GPIO6/MTCK
6. GPIO7/MTDO
7. GPIO10
8. 3V3
9. 5V
10. GND
11. GPIO8
12. GPIO9
13. GPIO18/Wire\_SDA
14. GPIO19/Wire\_SCL
15. GPIO20/Serial\_RX0
16. GPIO21/Serial\_TX0

Sheet: /  
File: tmc\_2300\_standalone\_bob.kicad\_sch

Title:

Size: A4  
KiCad E.D.A. 9.0.0

Date:

Rev:

Id: 1/1