

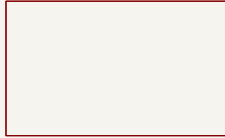
Sheet: /	
File: POEpd.kicad_sch	
<b>Title:</b>	
Size: A4	Date:
KiCad E.D.A. 9.0.0	Rev: Id: 1/9

power



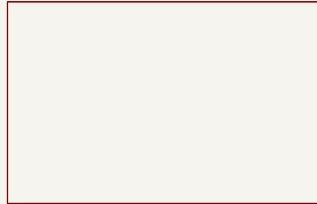
File: power.kicad\_sch

ethernet



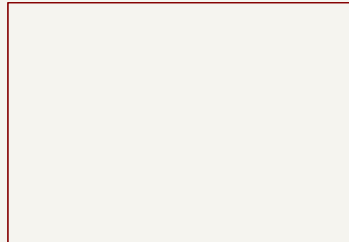
File: ethernet.kicad\_sch

rectifier



File: untitled.kicad\_sch

FlyBackController



File: FlyBackController.kicad\_sch

Sheet: /PSE/  
File: pse.kicad\_sch

**Title:**

Size: A4

Date:

KiCad E.D.A. 9.0.0

**Rev:**

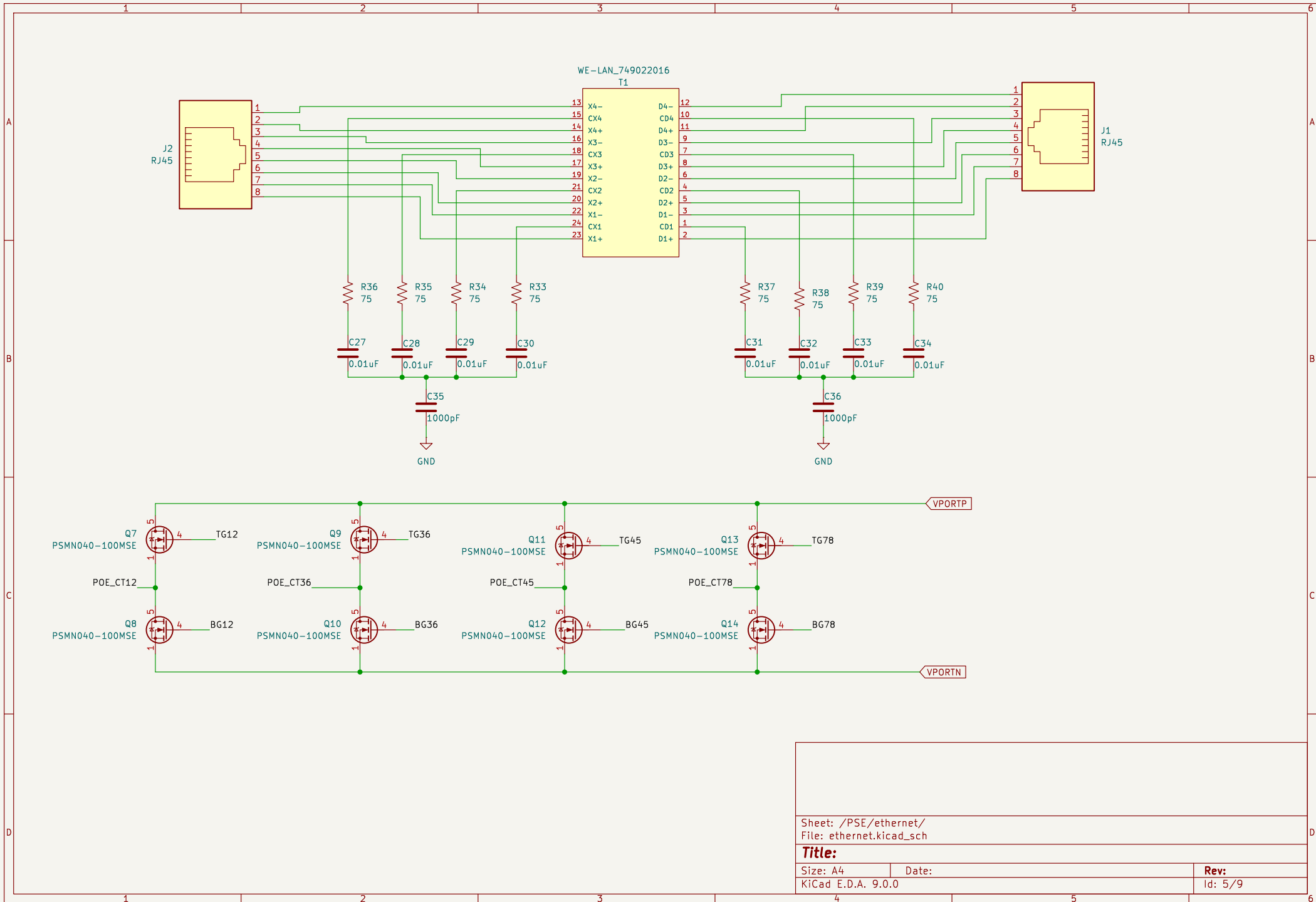
Id: 2/9

	1	2	3	4	5	6
A						
B						
C						
D						
	1	2	3	4	5	6

--	--

Sheet: /PD/	
File: pd.kicad_sch	
<b>Title:</b>	
Size: A4	Date:
KiCad E.D.A. 9.0.0	Rev: 3/9





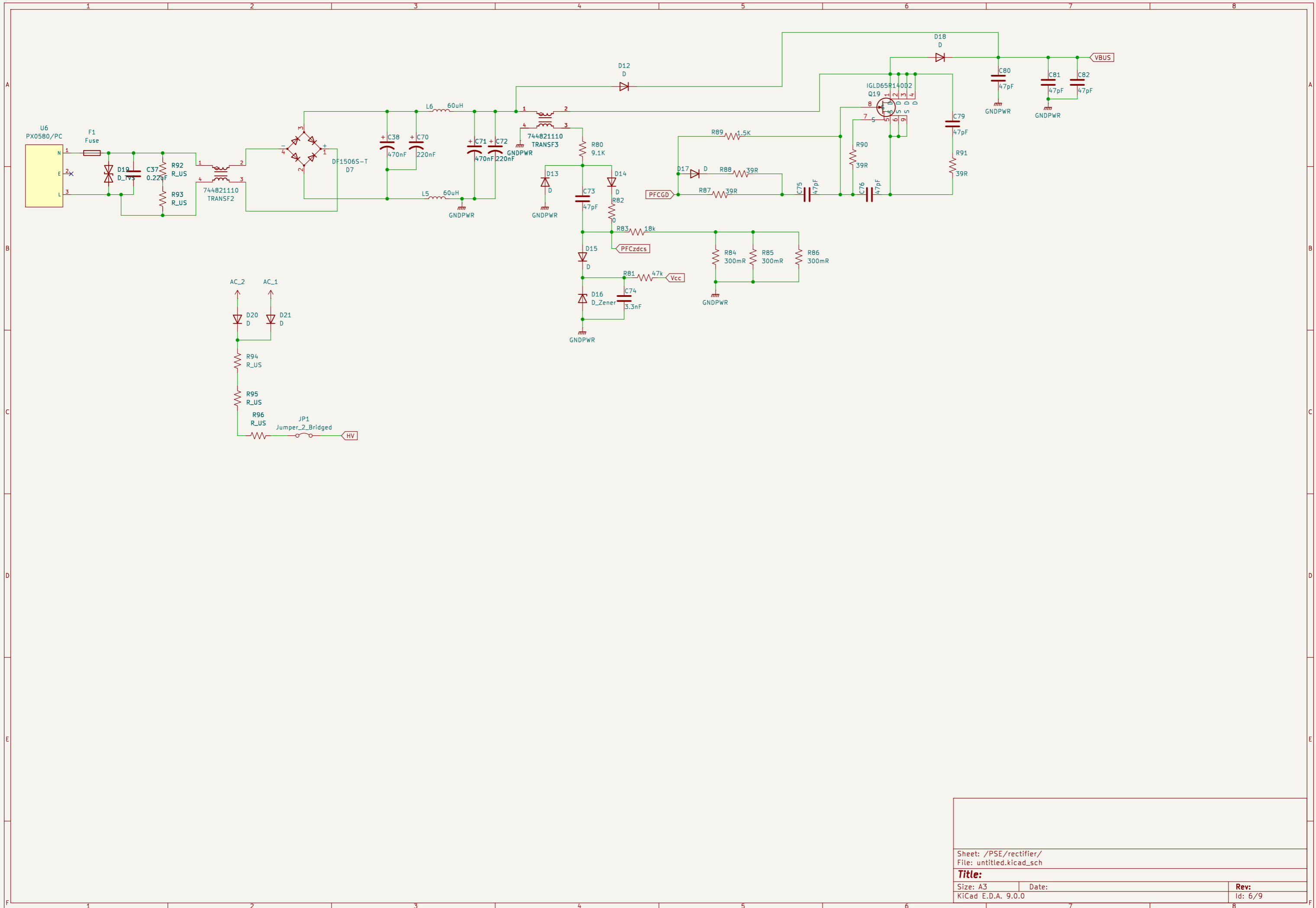
Sheet: /PSE/ethernet/  
 File: ethernet.kicad\_sch

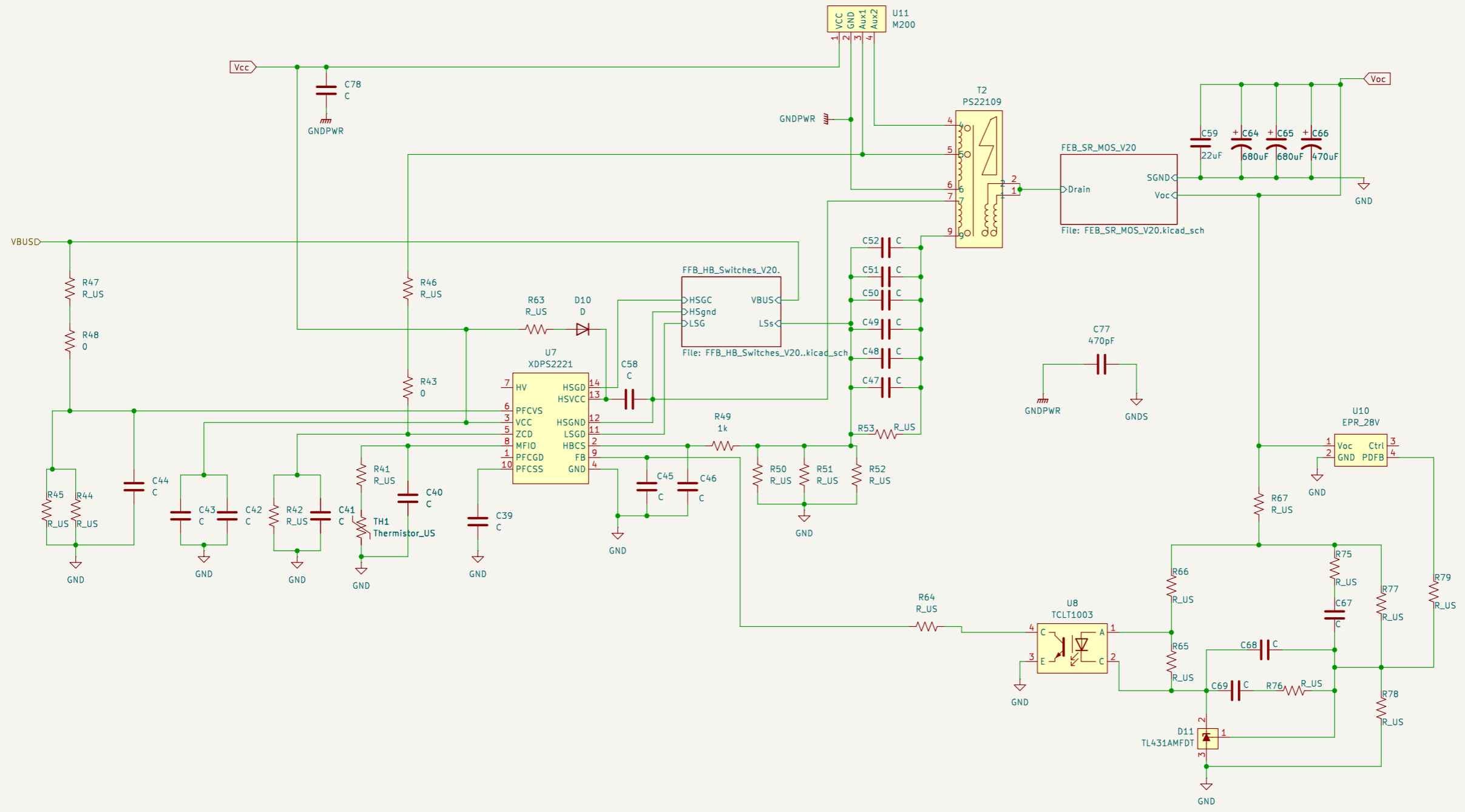
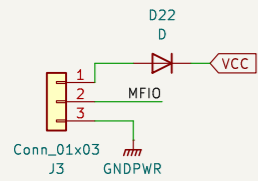
**Title:**

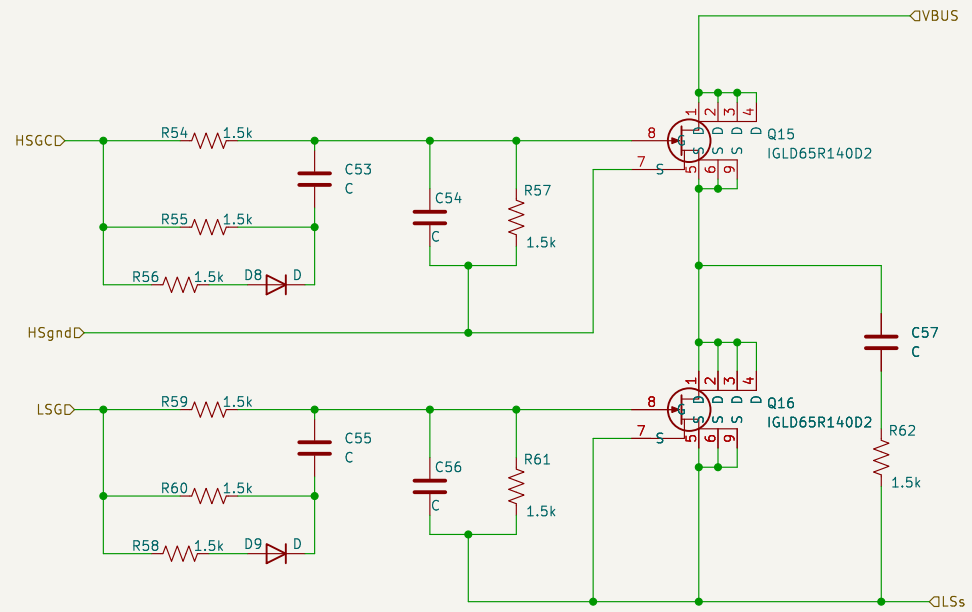
Size: A4  
 KiCad E.D.A. 9.0.0

Date:

Rev:  
 Id: 5/9







Sheet: /PSE/FlyBackController/FFB\_HB\_Switches\_V20./  
 File: FFB\_HB\_Switches\_V20..kicad\_sch

**Title:**

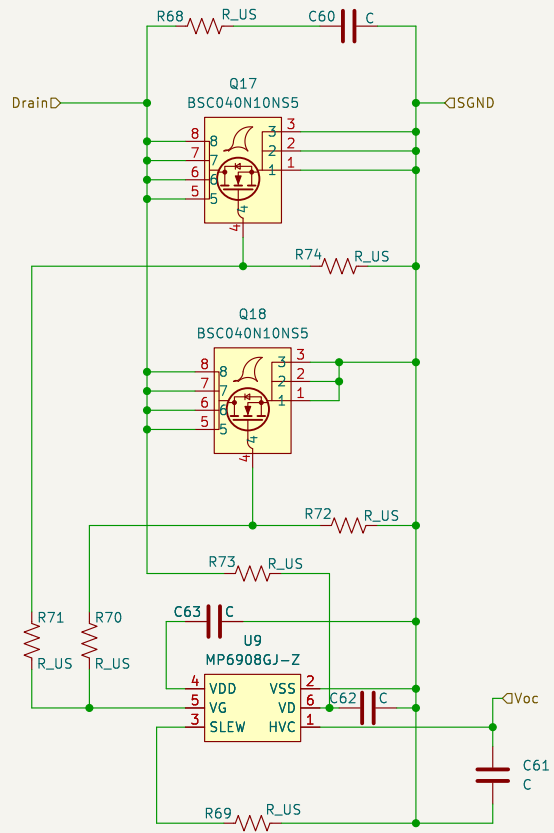
Size: A4

Date:

Rev:

KiCad E.D.A. 9.0.0

Id: 8/9



Sheet: /PSE/FlyBackController/FEB\_SR\_MOS\_V20/  
 File: FEB\_SR\_MOS\_V20.kicad\_sch

**Title:**

Size: A4

Date:

Rev:

KiCad E.D.A. 9.0.0

Id: 9/9