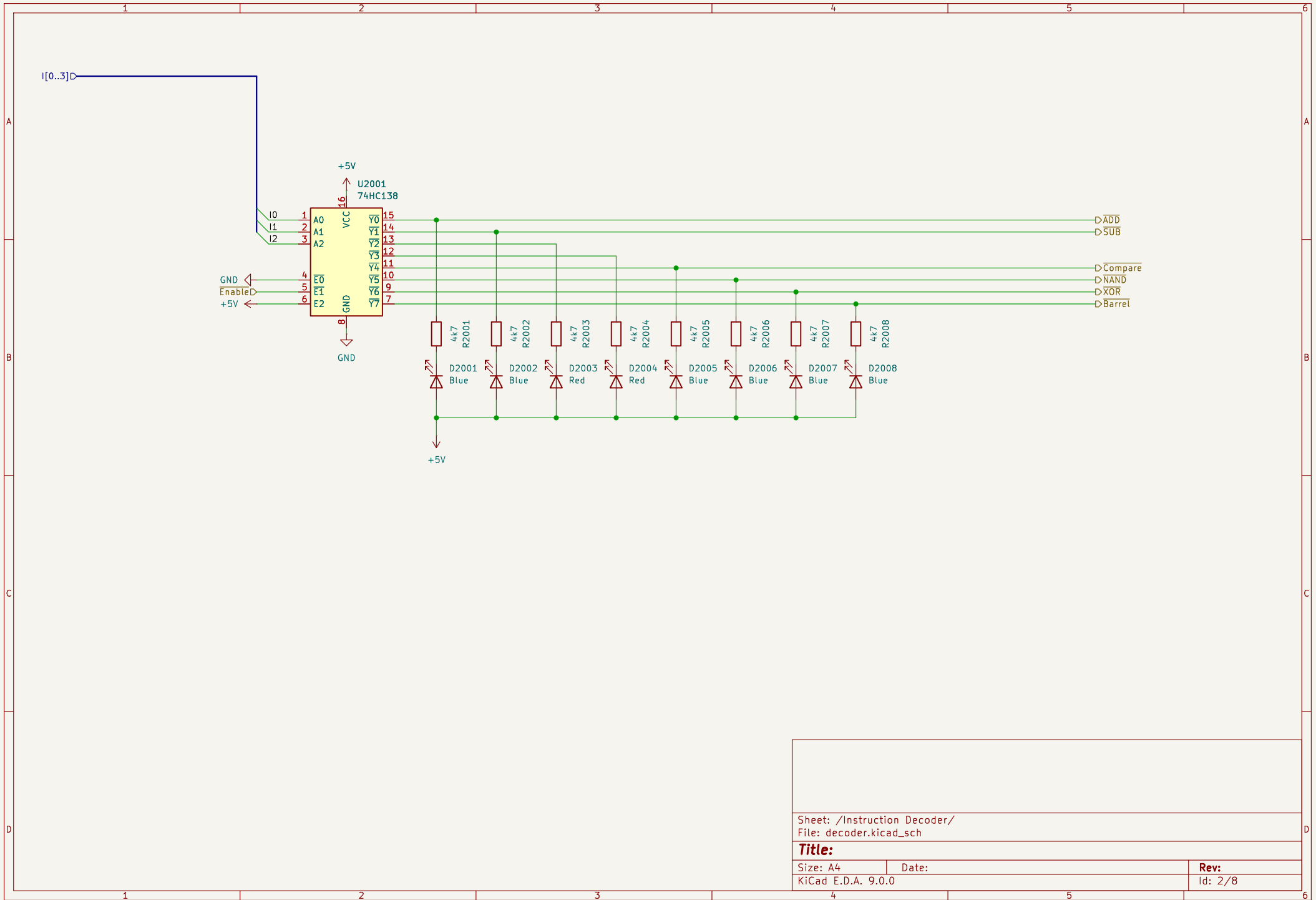


H1001 MountingHole H1002 MountingHole H1003 MountingHole H1004 MountingHole

Sheet: /		
File: ALU_Carrier.kicad_sch		
Title:		
Size: A3	Date:	Rev: 1
KiCad E.D.A. 9.0.0		Id: 1/8



Sheet: /Instruction Decoder/
 File: decoder.kicad_sch

Title:

Size: A4
 KiCad E.D.A. 9.0.0

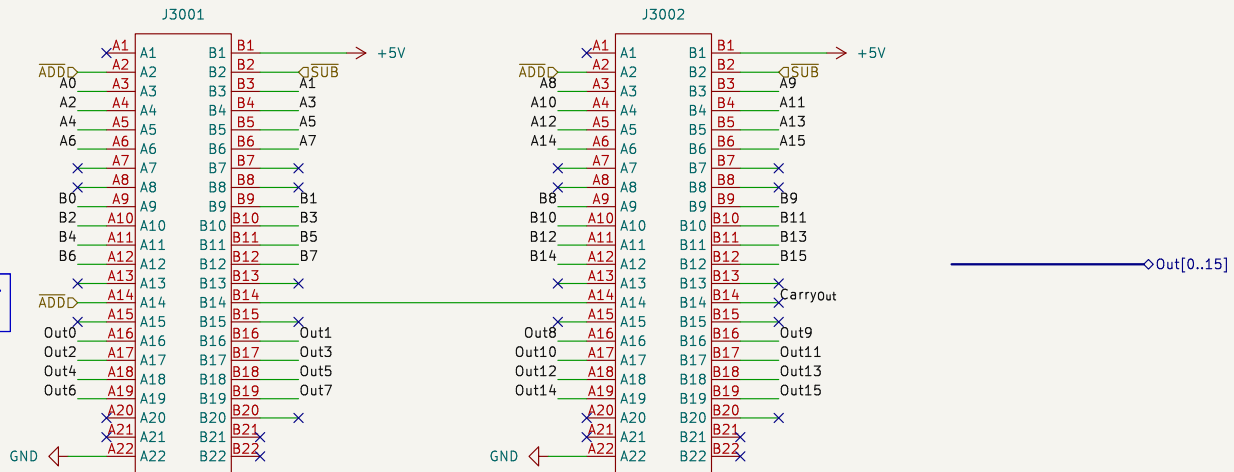
Date:

Rev:
 Id: 2/8

A[0..15]D

B[0..15]D

This ADD is the carry-in.
For subtraction, it needs
to be high.



Sheet: /Adder Subtractor/
File: addsub.kicad_sch

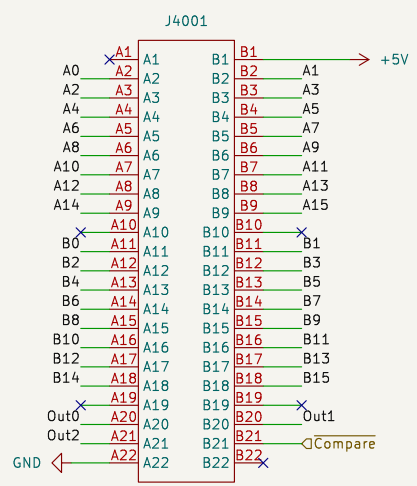
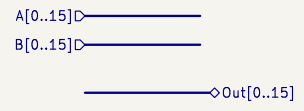
Title:

Size: A4 Date:

KiCad E.D.A. 9.0.0

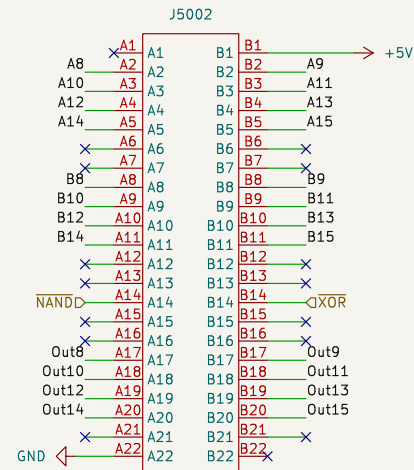
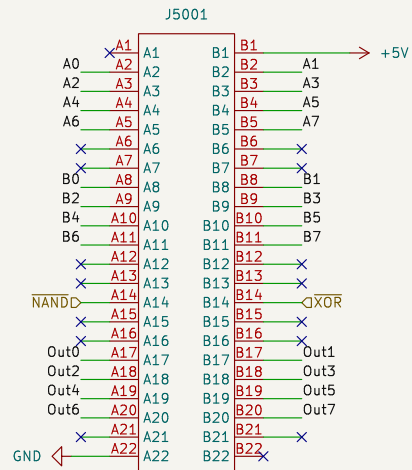
Rev:

Id: 3/8



Sheet: /Comparator/ File: compare.kicad_sch		
Title:		
Size: A4	Date:	Rev:
KiCad E.D.A. 9.0.0		Id: 4/8

A[0..15]D
 B[0..15]D
 Out[0..15]

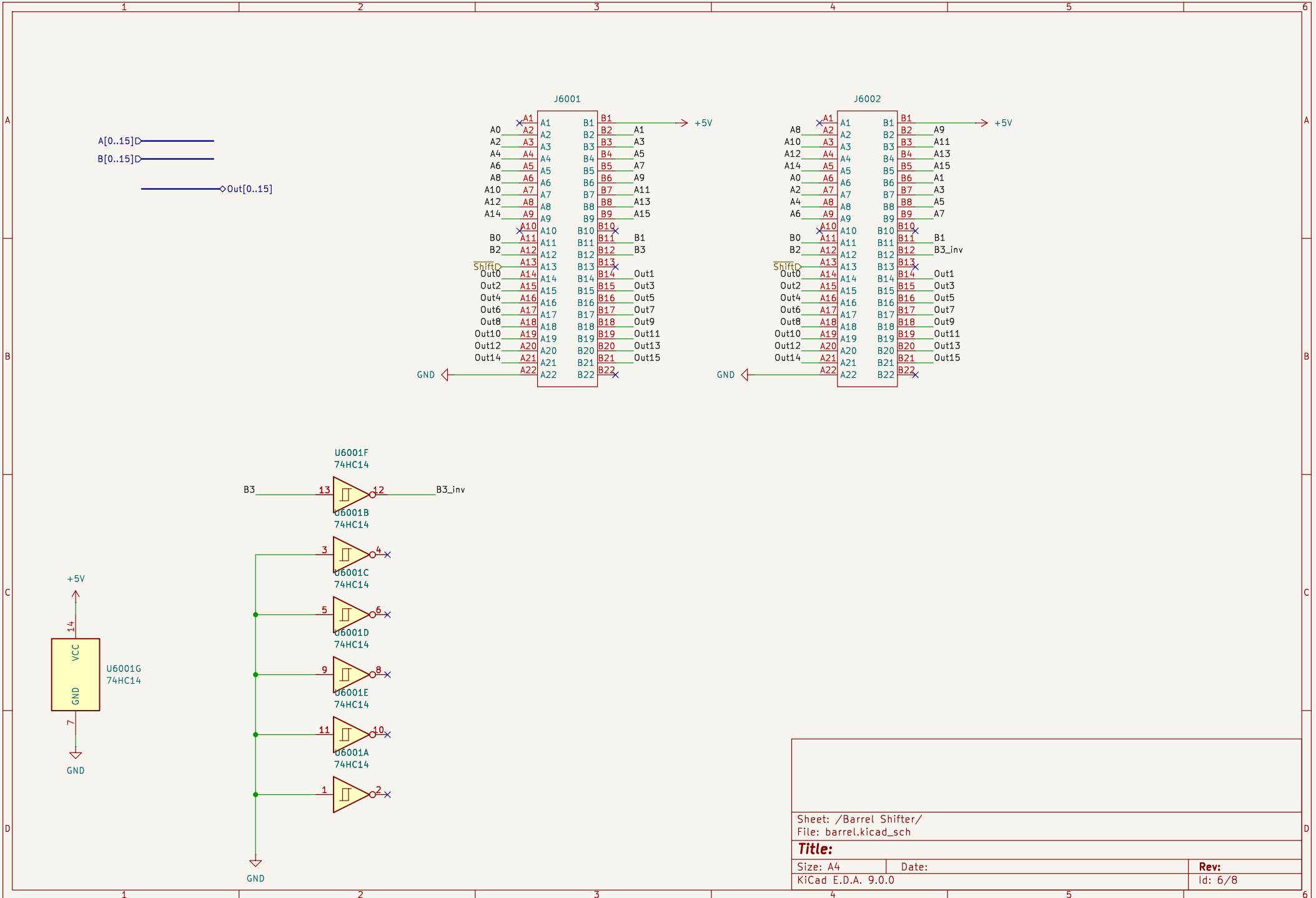


Sheet: /XOR NAND/
 File: xornand.kicad_sch

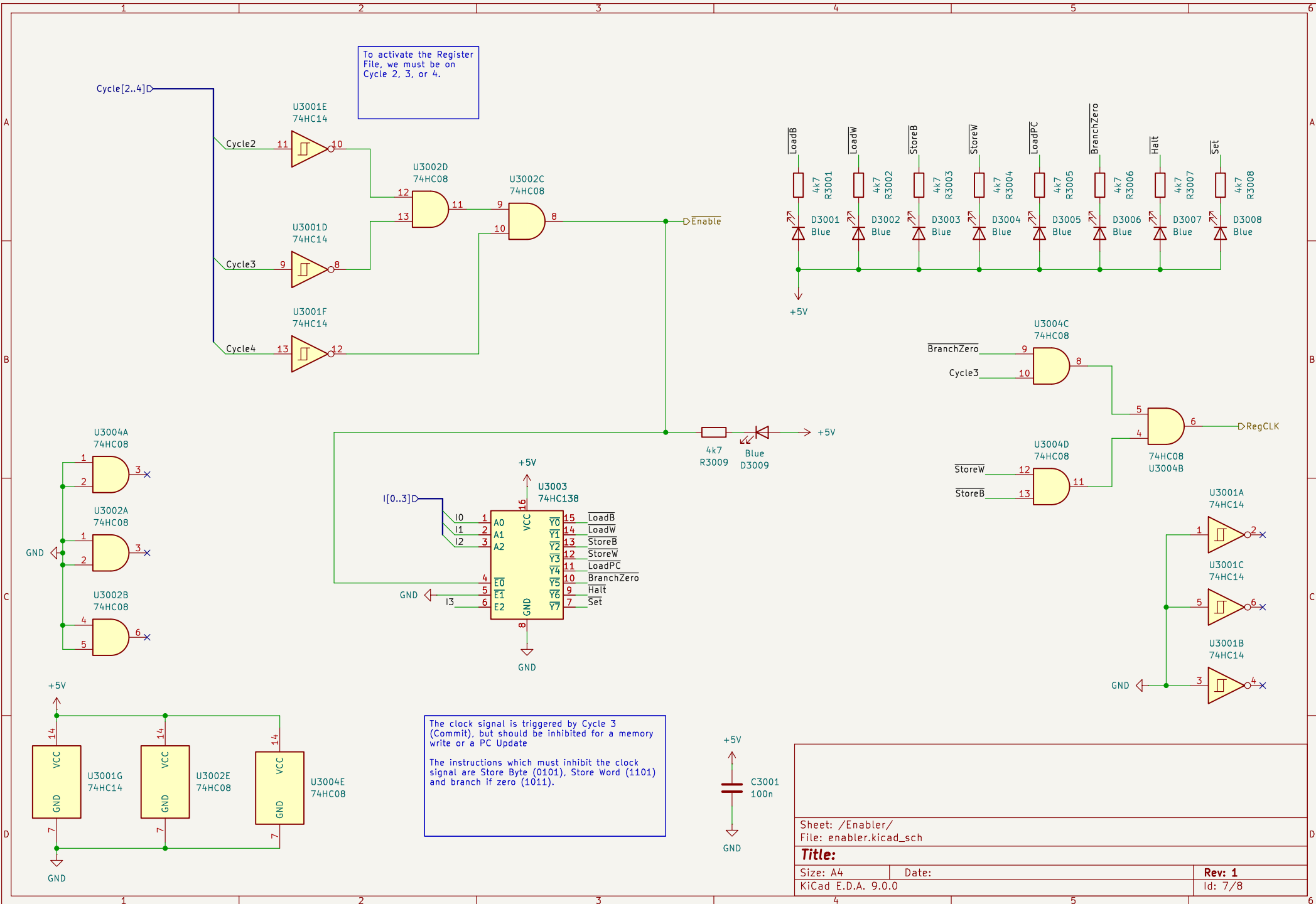
Title:

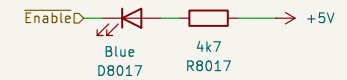
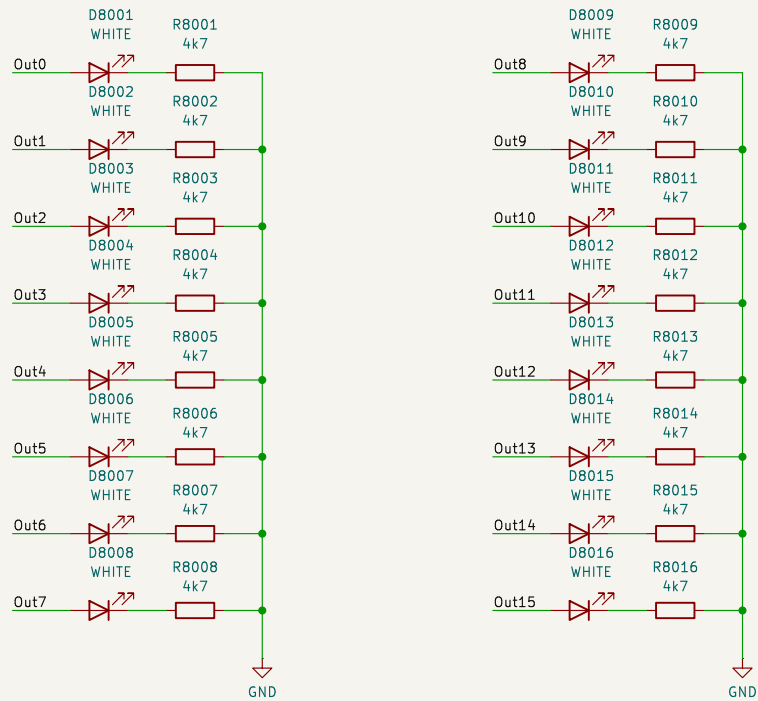
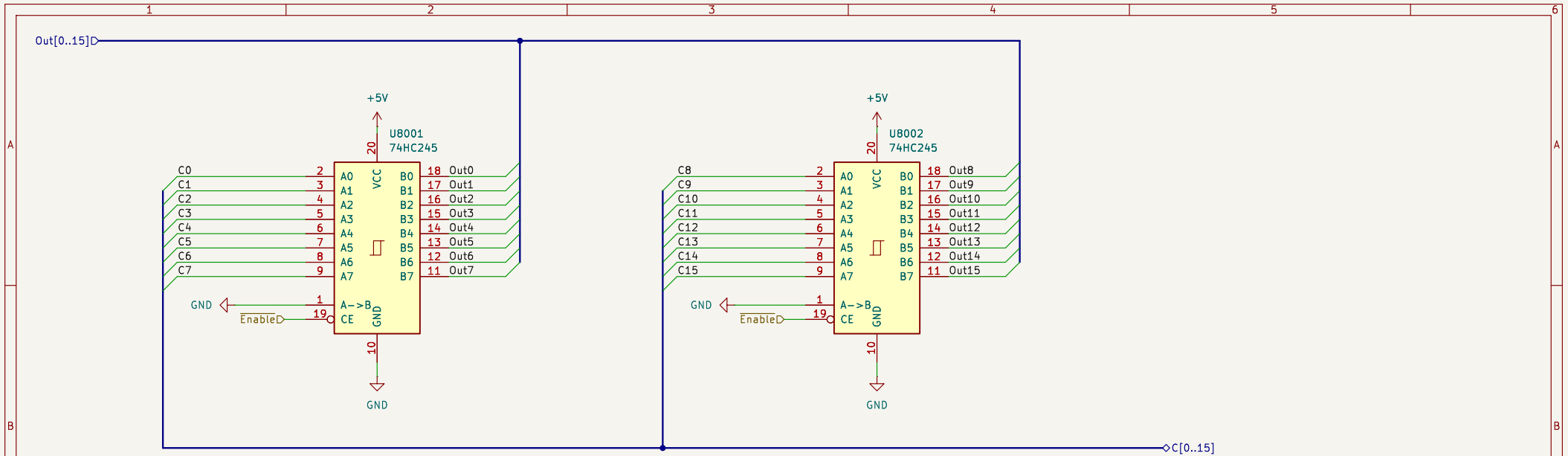
Size: A4 Date:
 KiCad E.D.A. 9.0.0

Rev:
 Id: 5/8



Sheet: /Barrel Shifter/		Rev:	
File: barrel.kicad_sch		Id: 6/8	
Size: A4	Date:		
KiCad E.D.A. 9.0.0			





Sheet: /Output Stage/
File: output.kicad_sch

Title:

Size: A4 Date:
KiCad E.D.A. 9.0.0

Rev:
Id: 8/8