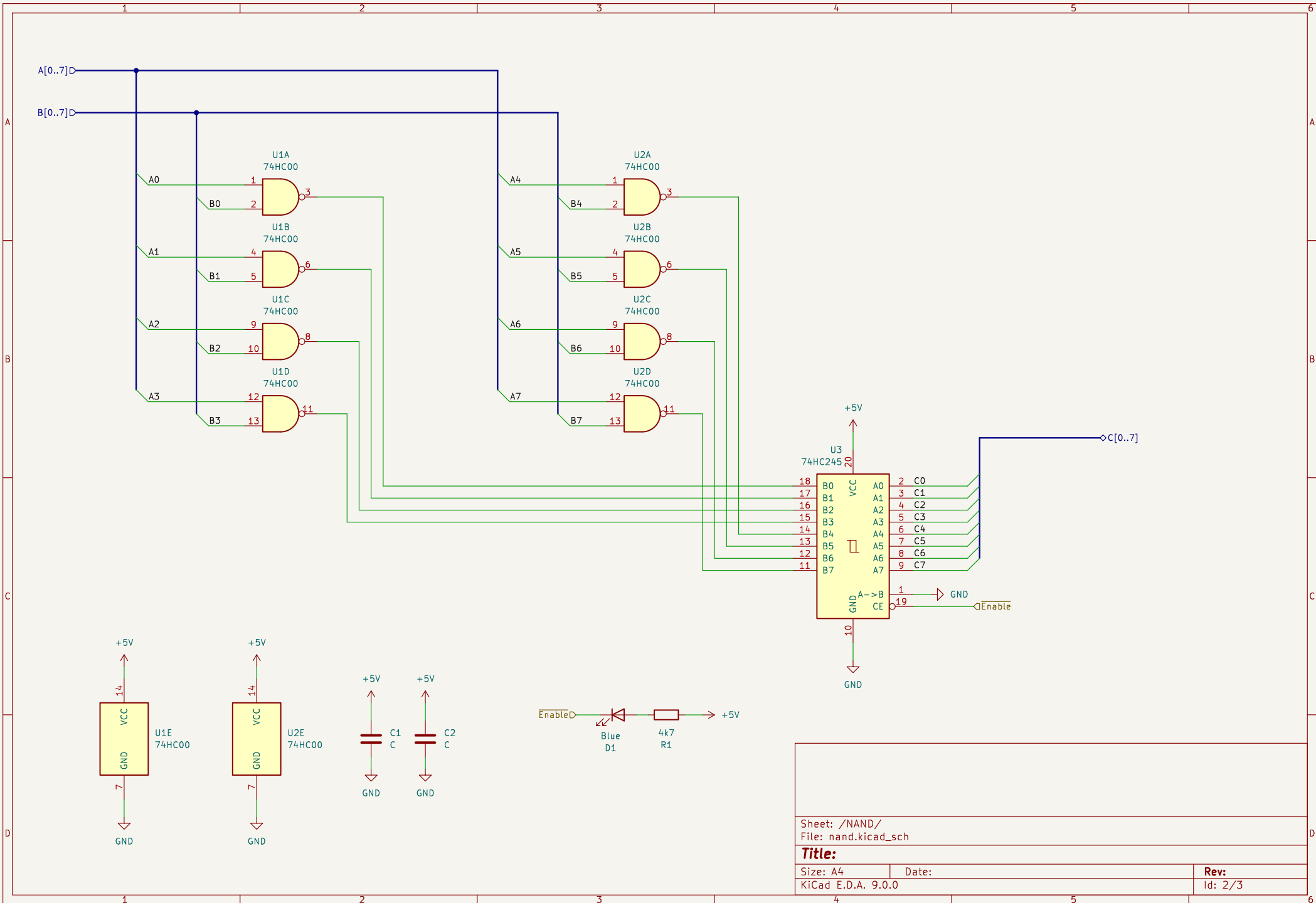
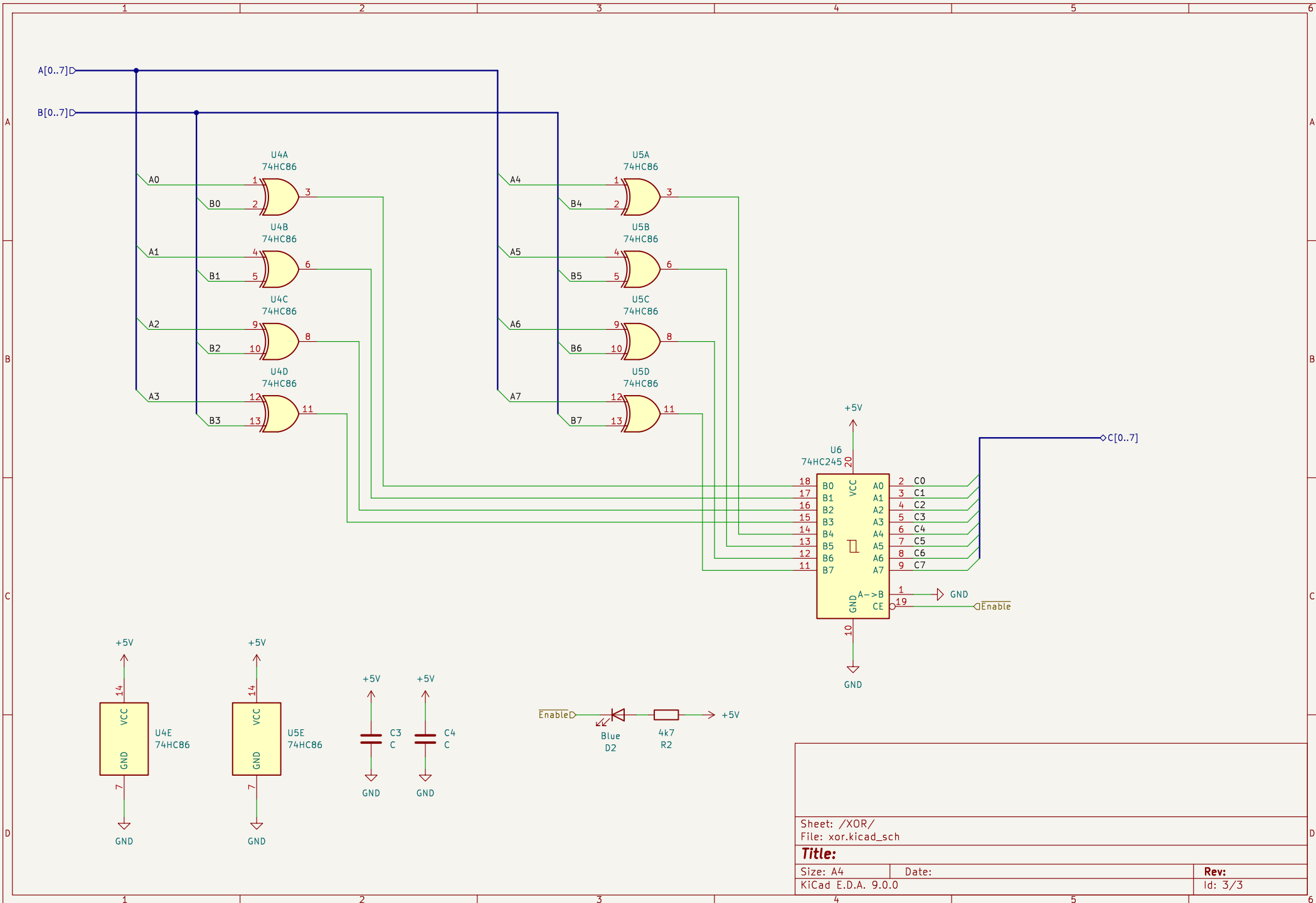


Sheet: /	
File: NAND XOR.kicad_sch	
Title:	
Size: A4	Date:
KiCad E.D.A. 9.0.0	Rev:
	Id: 1/3



Sheet: /NAND/		Date:	
File: nand.kicad_sch		Rev:	
Size: A4	KiCad E.D.A. 9.0.0		Id: 2/3



Sheet: /XOR/
 File: xor.kicad_sch

Title:

Size: A4
 KiCad E.D.A. 9.0.0

Date:

Rev:

Id: 3/3