

Sheet: /Pi Control/
 File: picontrol.kicad_sch

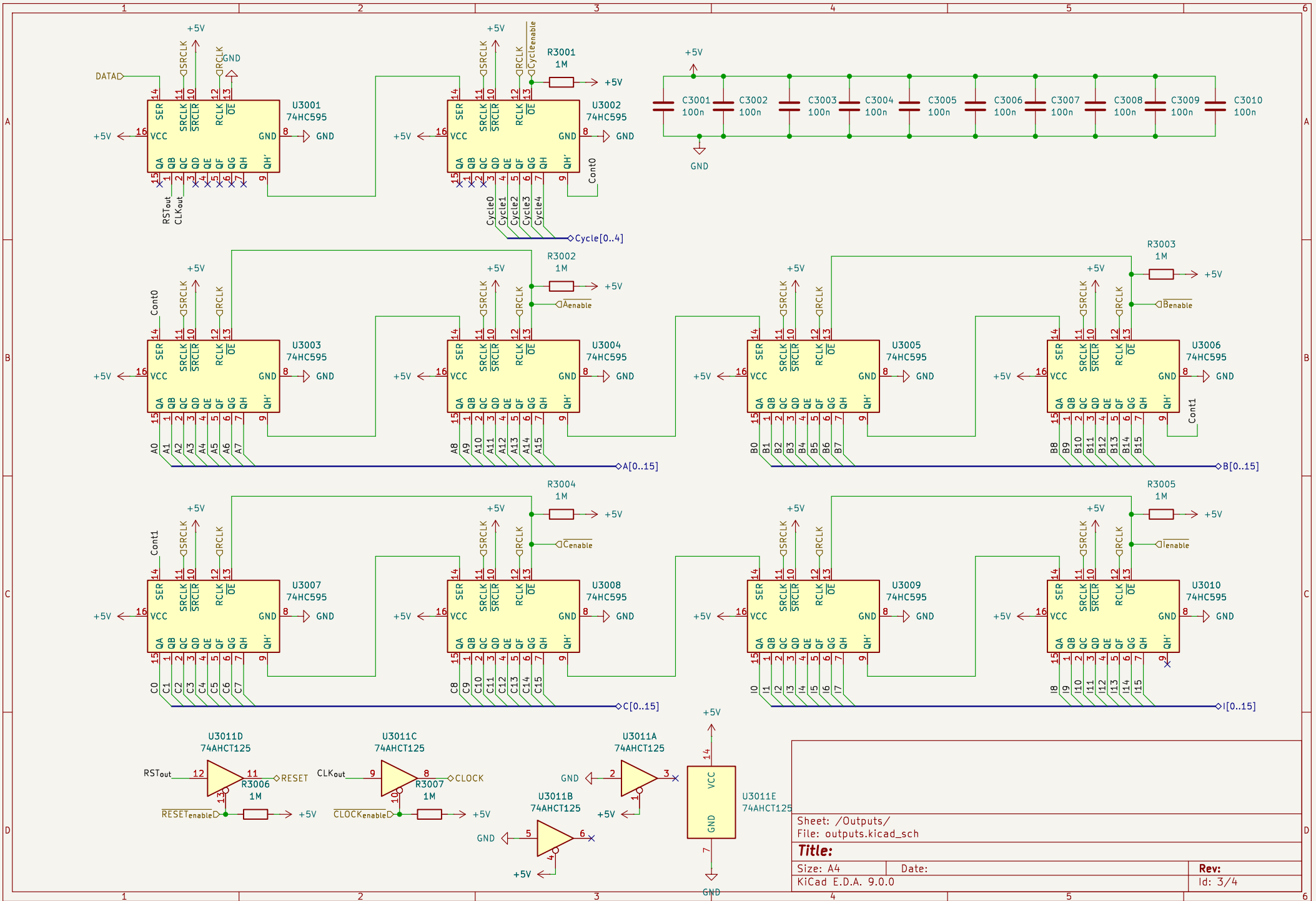
Title:

Size: A4
 KiCad E.D.A. 9.0.0

Date:

Rev:

Id: 2/4



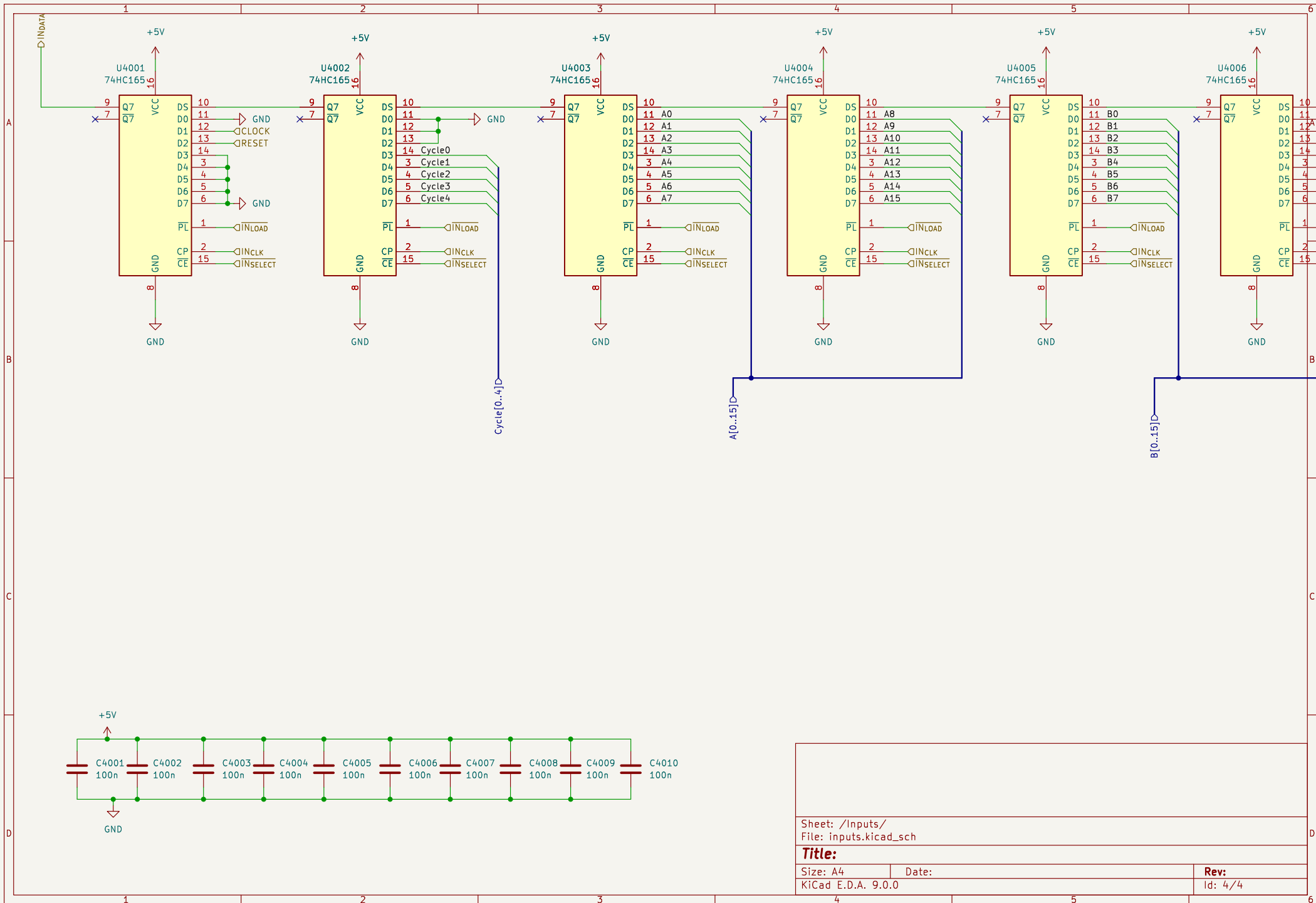
Sheet: /Outputs/
File: outputs.kicad_sch

Title:

Size: A4
KiCad E.D.A. 9.0.0

Date:

Rev:
Id: 3/4



Sheet: /Inputs/		Date:	
File: inputs.kicad_sch		Rev:	
Size: A4	KiCad E.D.A. 9.0.0		Id: 4/4