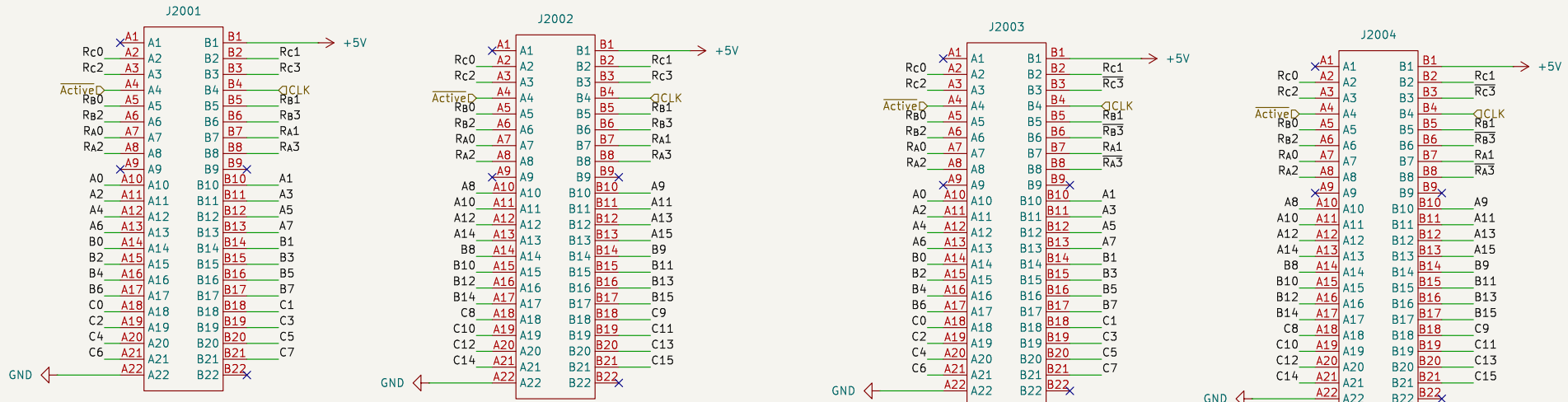


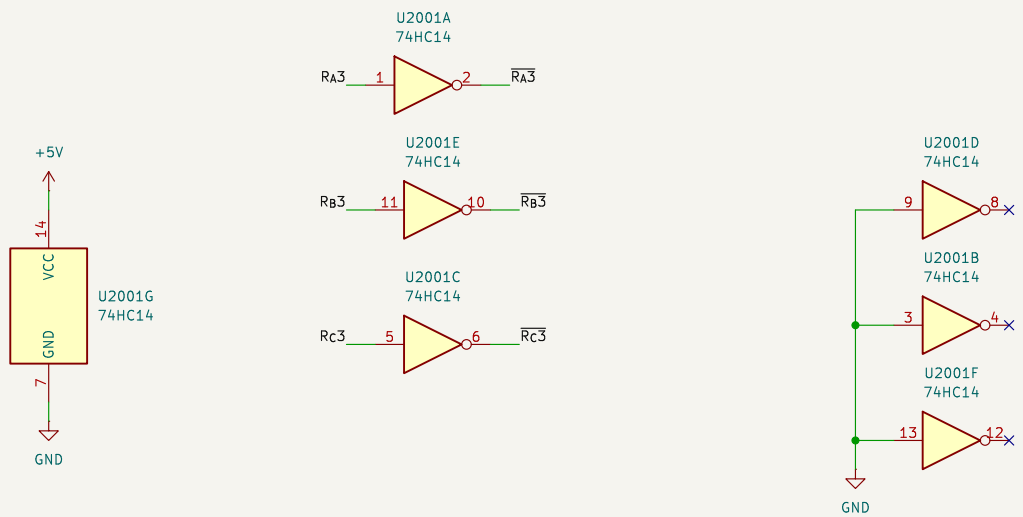
Sheet: /		
File: Register File Carrier.kicad_sch		
Title:		
Size: A3	Date:	Rev:
KiCad E.D.A. 9.0.0		Id: 1/5

A[0..15]◁
 B[0..15]◁
 C[0..15]▷
 RA[0..3]▷
 RB[0..3]▷
 RC[0..3]▷

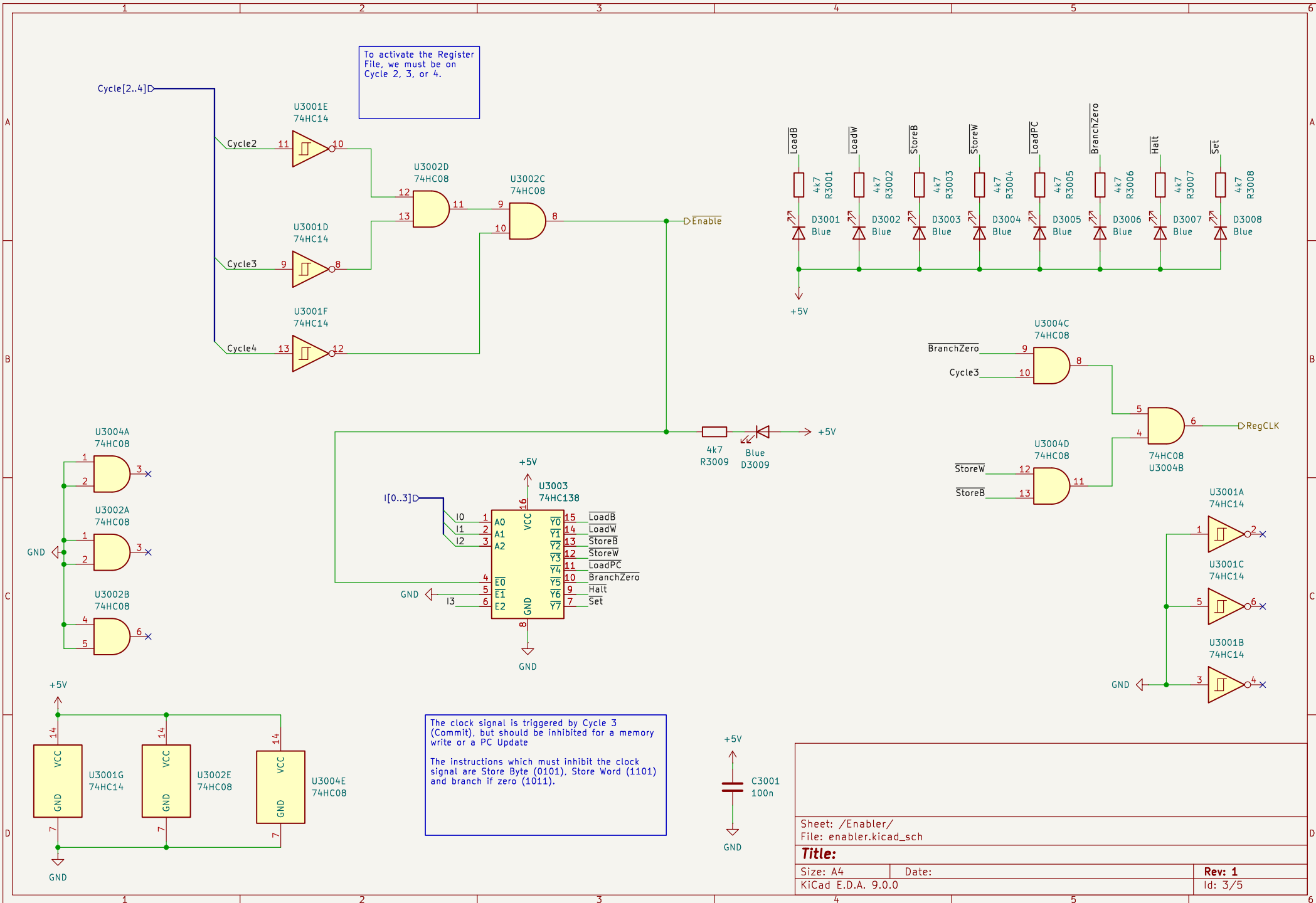


Registers 0-7

Registers 8-15

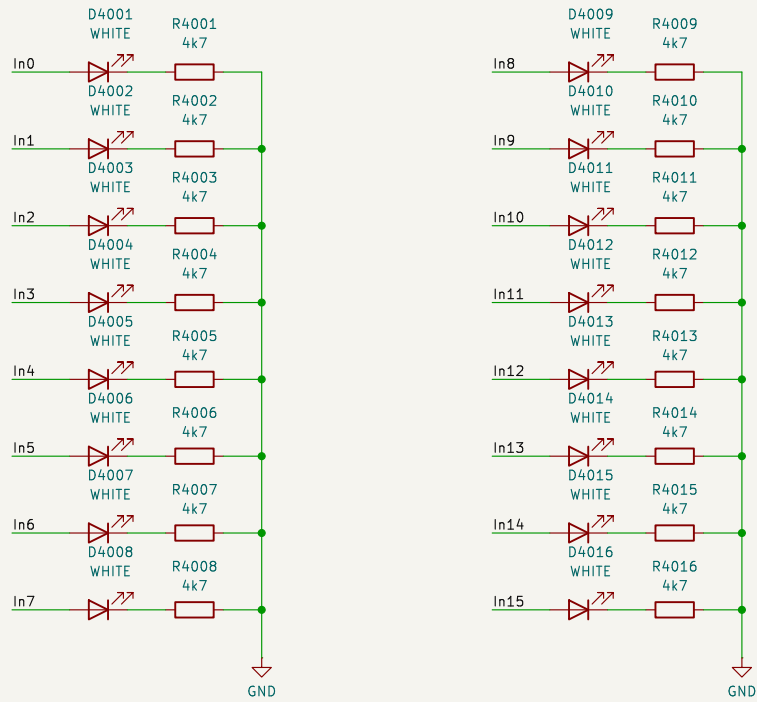


Sheet: /Connector Block/		File: connectors.kicad_sch	
Title:			
Size: A4	Date:		Rev:
KiCad E.D.A. 9.0.0			Id: 2/5



In[0..15]▷

Originally, this sheet had output buffers, but the register files themselves have those. Just don't connect too many other LEDs to the buses



Sheet: /Output Buffer A/
File: outputbuffer.kicad_sch

Title:

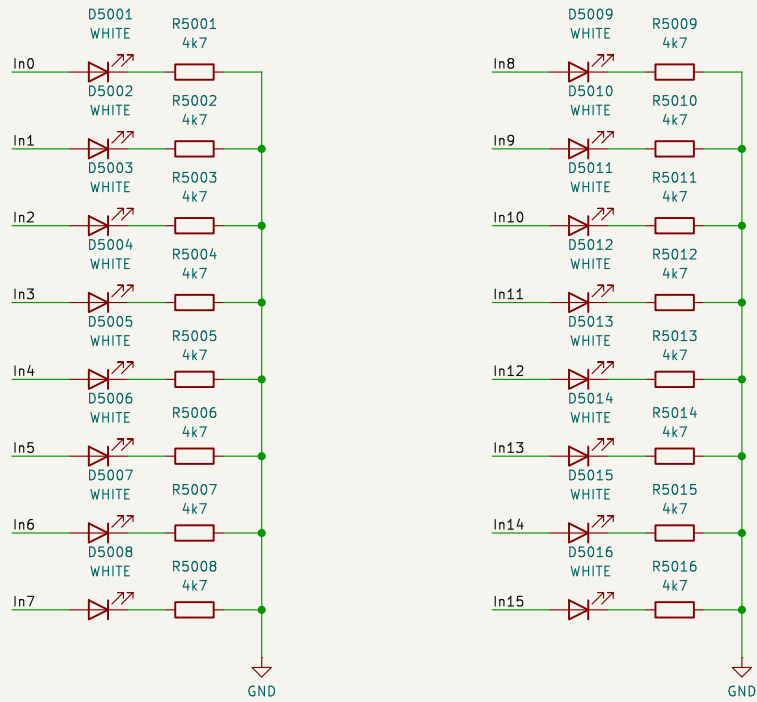
Size: A4
KiCad E.D.A. 9.0.0

Date:

Rev:
Id: 4/5

In[0..15]▷

Originally, this sheet had output buffers, but the register files themselves have those. Just don't connect too many other LEDs to the buses



Sheet: /Output Buffer B/
File: outputbuffer.kicad_sch

Title:

Size: A4
KiCad E.D.A. 9.0.0

Date:

Rev:
Id: 5/5