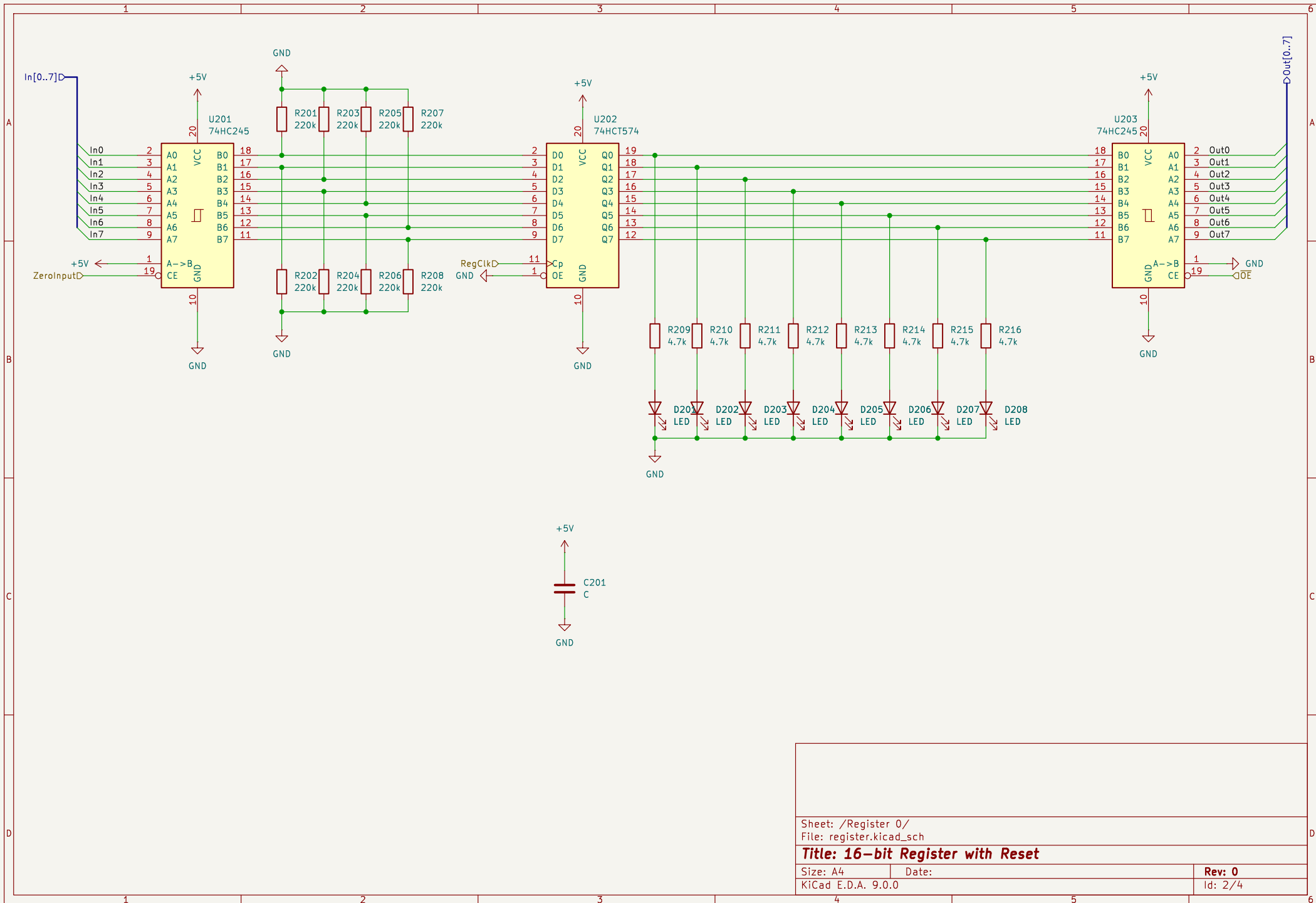
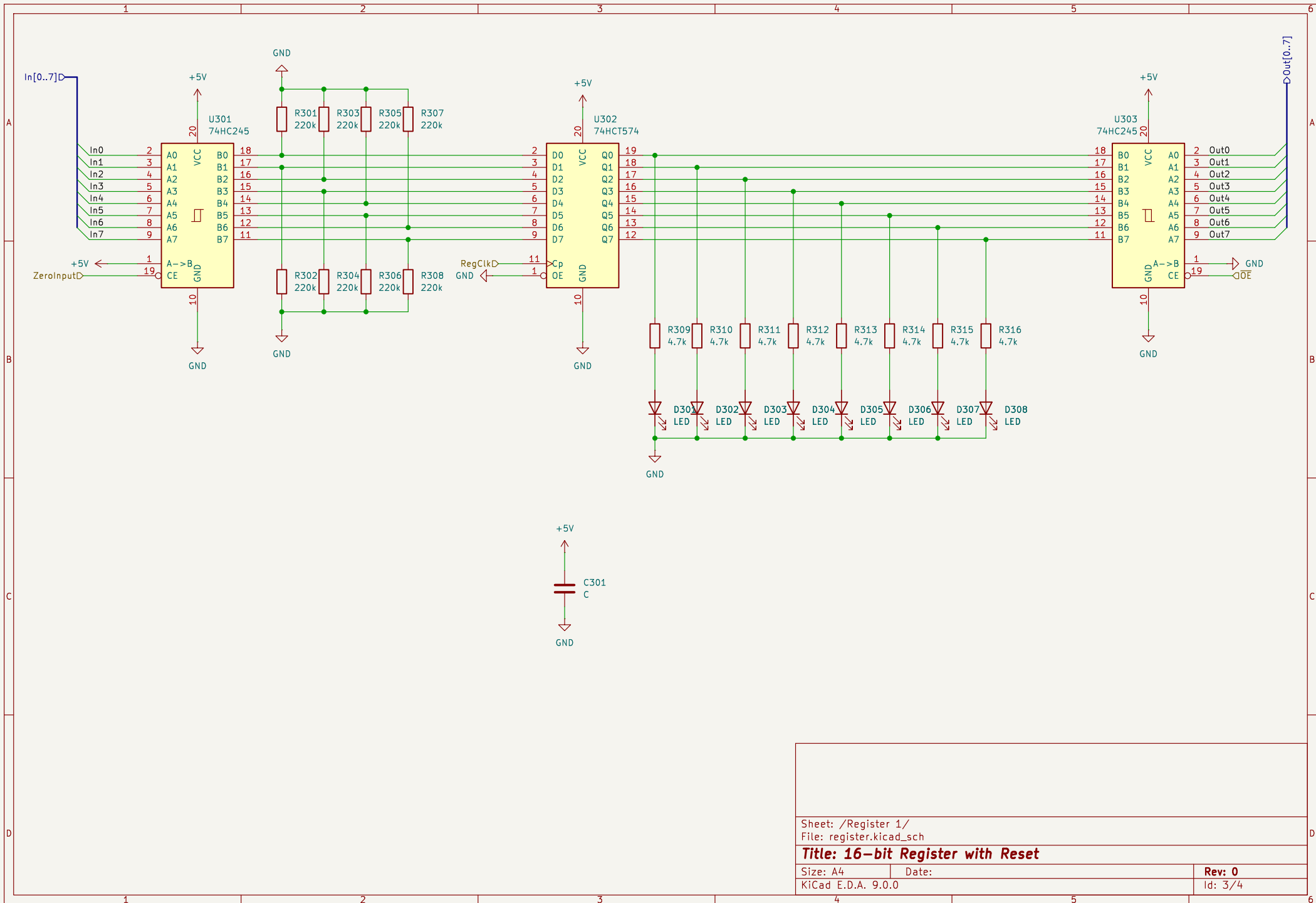


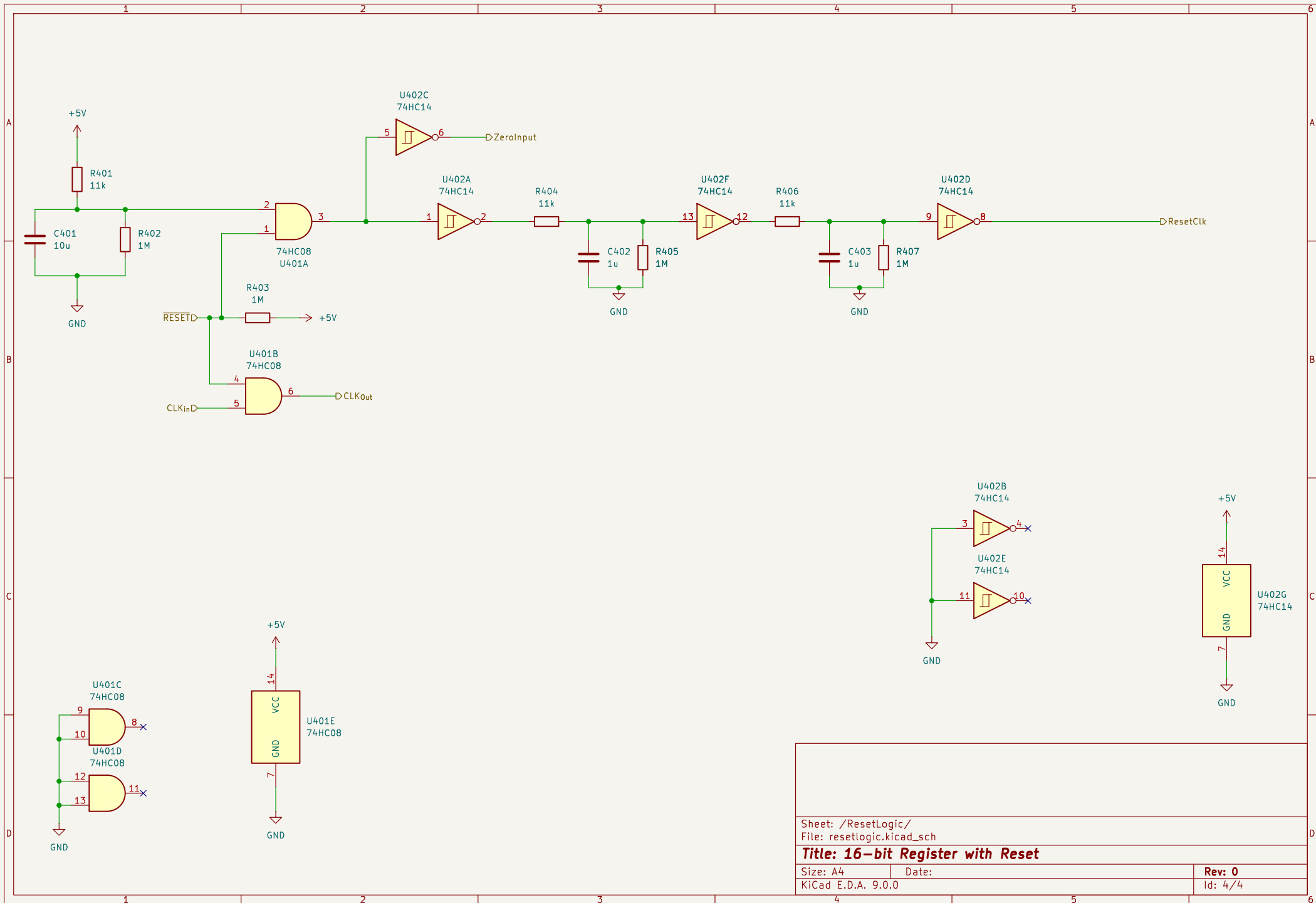
Sheet: /	
File: Register with Reset.kicad_sch	
Title: 16-bit Register with Reset	
Size: A4	Date:
KiCad E.D.A. 9.0.0	Rev: 1
	Id: 1/4



Sheet: /Register 0/	
File: register.kicad_sch	
Title: 16-bit Register with Reset	
Size: A4	Date:
KiCad E.D.A. 9.0.0	Rev: 0
	Id: 2/4



Sheet: /Register 1/	
File: register.kicad_sch	
Title: 16-bit Register with Reset	
Size: A4	Date:
KiCad E.D.A. 9.0.0	Rev: 0
	Id: 3/4



Sheet: /ResetLogic/	
File: resetlogic.kicad_sch	
Title: 16-bit Register with Reset	
Size: A4	Date:
KiCad E.D.A. 9.0.0	Rev: 0
	Id: 4/4