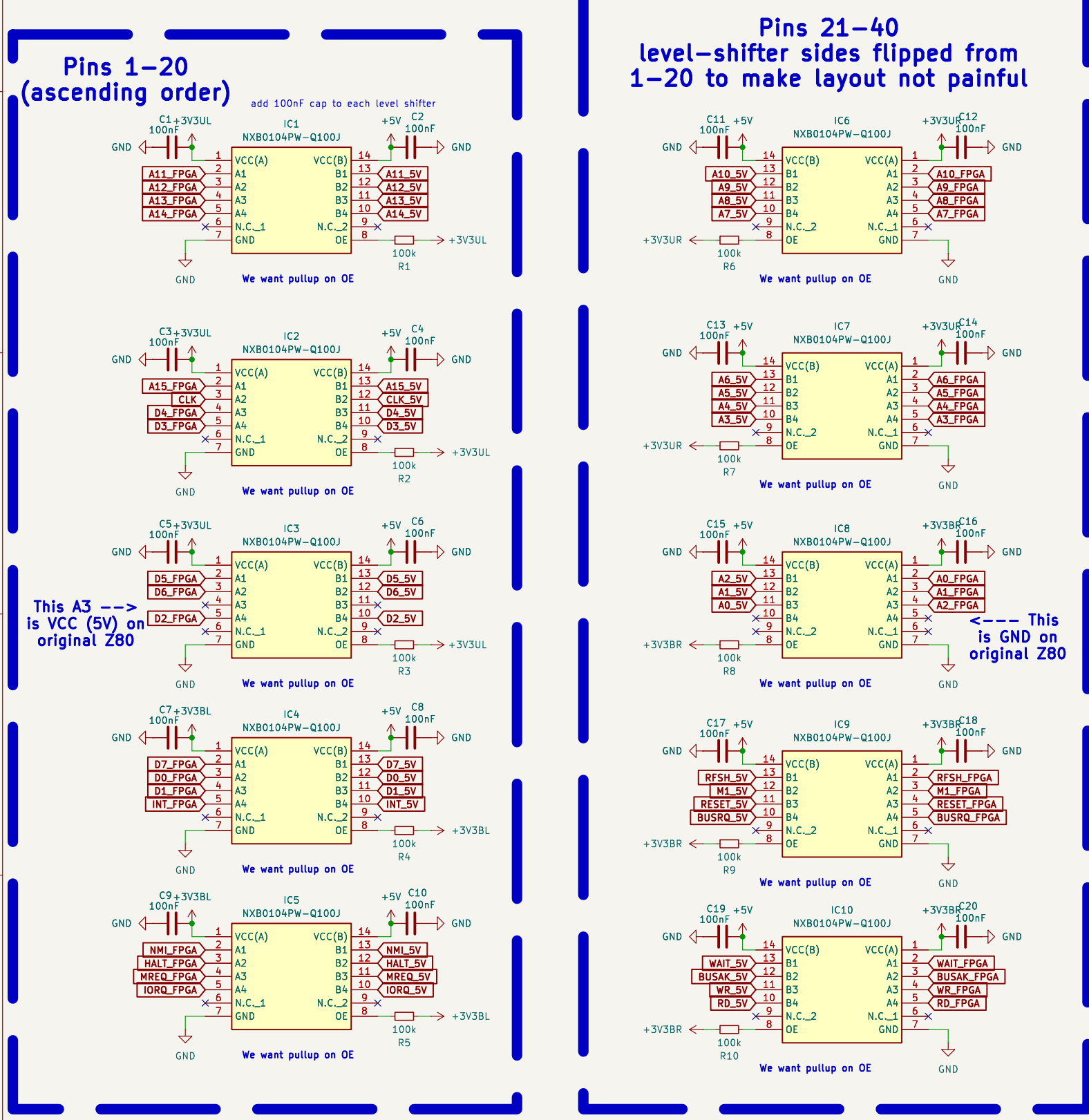


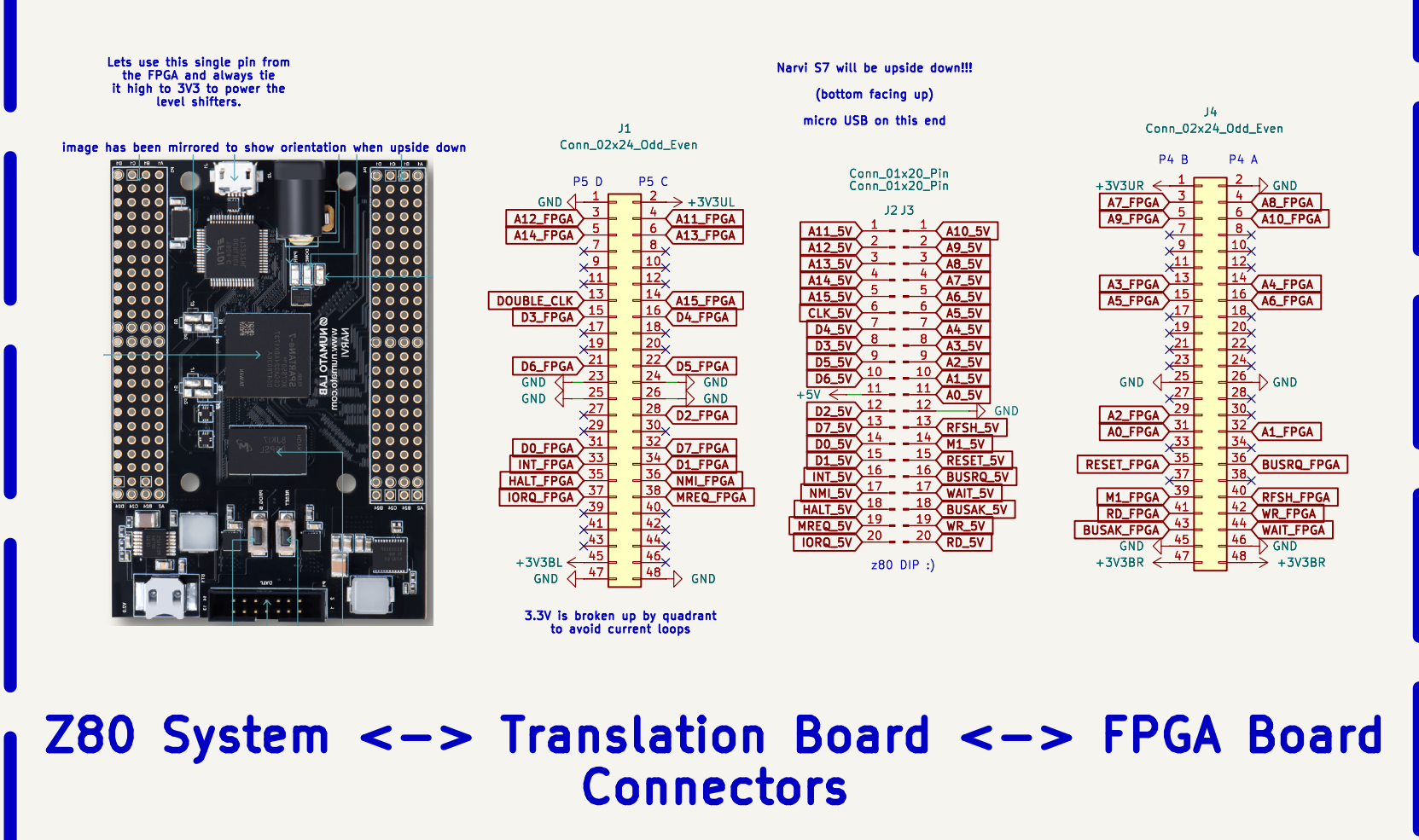
Level shifters 5V<->3V3
We are using the TSSOP-14 package
OE pullup is referenced to VCC_A, >= 50k
MacroFab MPNs specified

This is the PHYSICAL PINOUT



P5

Pin	Signal	Original Z80	FPGA Board
1	CS	CS	CS
2	CS	CS	CS
3	CS	CS	CS
4	CS	CS	CS
5	CS	CS	CS
6	CS	CS	CS
7	CS	CS	CS
8	CS	CS	CS
9	CS	CS	CS
10	CS	CS	CS
11	CS	CS	CS
12	CS	CS	CS
13	CS	CS	CS
14	CS	CS	CS
15	CS	CS	CS
16	CS	CS	CS
17	CS	CS	CS
18	CS	CS	CS
19	CS	CS	CS
20	CS	CS	CS
21	CS	CS	CS
22	CS	CS	CS
23	CS	CS	CS
24	CS	CS	CS
25	CS	CS	CS
26	CS	CS	CS
27	CS	CS	CS
28	CS	CS	CS
29	CS	CS	CS
30	CS	CS	CS
31	CS	CS	CS
32	CS	CS	CS
33	CS	CS	CS
34	CS	CS	CS
35	CS	CS	CS
36	CS	CS	CS
37	CS	CS	CS
38	CS	CS	CS
39	CS	CS	CS
40	CS	CS	CS



P4

Pin	Signal	Original Z80	FPGA Board
1	CS	CS	CS
2	CS	CS	CS
3	CS	CS	CS
4	CS	CS	CS
5	CS	CS	CS
6	CS	CS	CS
7	CS	CS	CS
8	CS	CS	CS
9	CS	CS	CS
10	CS	CS	CS
11	CS	CS	CS
12	CS	CS	CS
13	CS	CS	CS
14	CS	CS	CS
15	CS	CS	CS
16	CS	CS	CS
17	CS	CS	CS
18	CS	CS	CS
19	CS	CS	CS
20	CS	CS	CS
21	CS	CS	CS
22	CS	CS	CS
23	CS	CS	CS
24	CS	CS	CS
25	CS	CS	CS
26	CS	CS	CS
27	CS	CS	CS
28	CS	CS	CS
29	CS	CS	CS
30	CS	CS	CS
31	CS	CS	CS
32	CS	CS	CS
33	CS	CS	CS
34	CS	CS	CS
35	CS	CS	CS
36	CS	CS	CS
37	CS	CS	CS
38	CS	CS	CS
39	CS	CS	CS
40	CS	CS	CS

