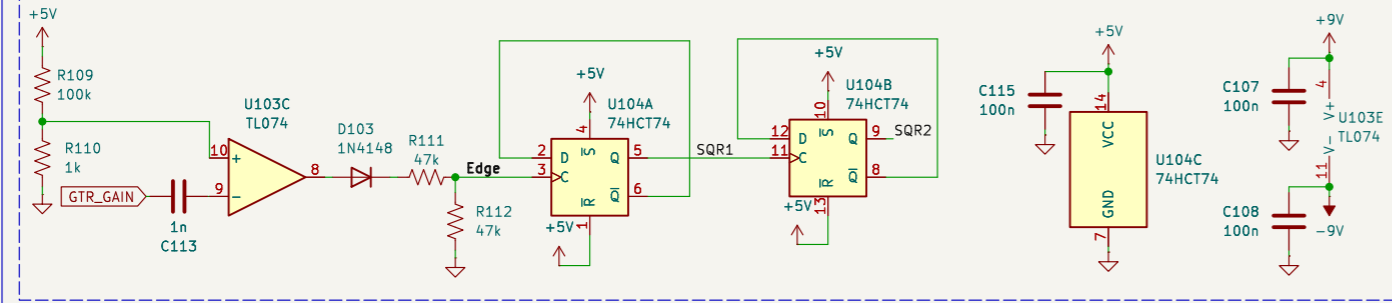
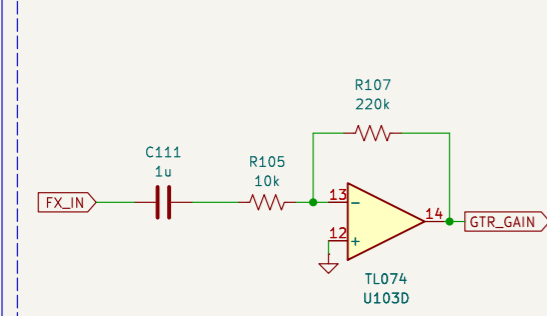


Octave Generation

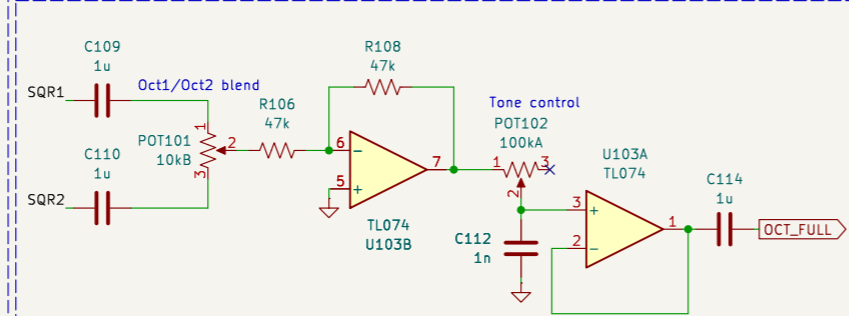
Frequency divider



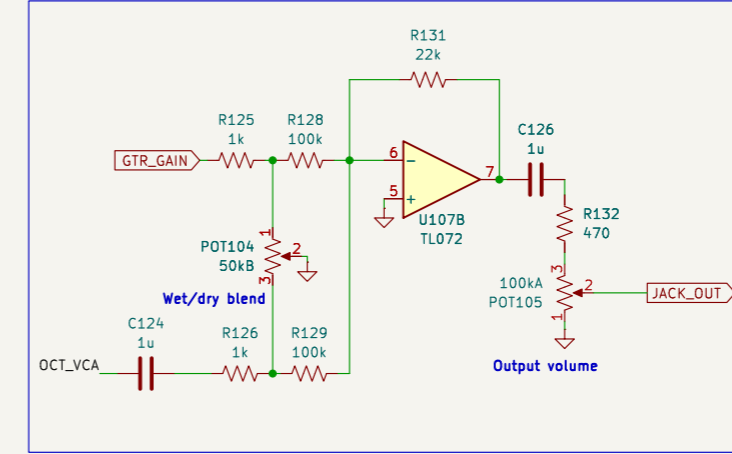
Input gain stage



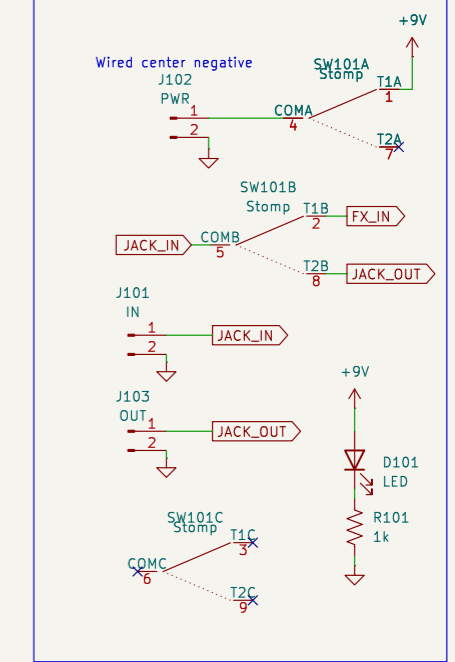
Mixer/Tone Control



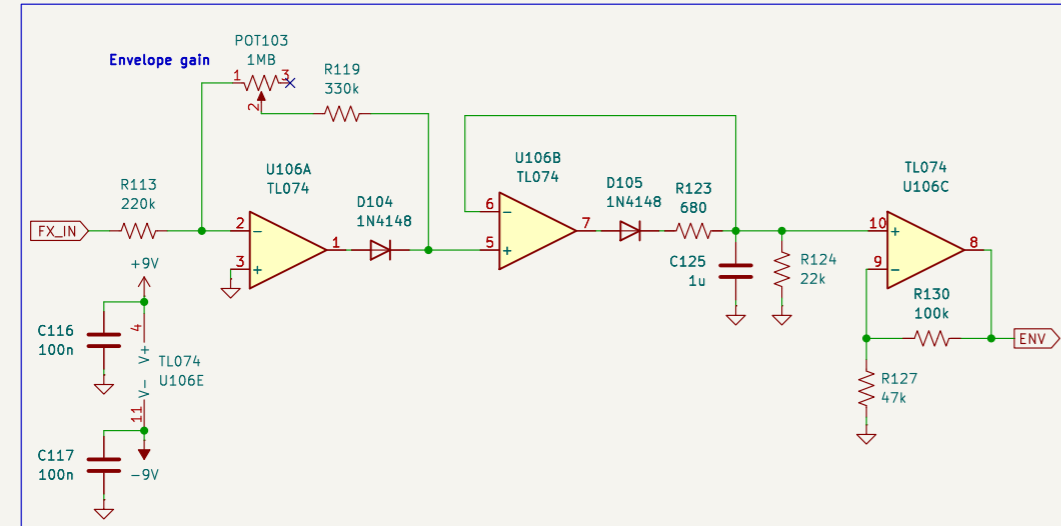
Output mixer



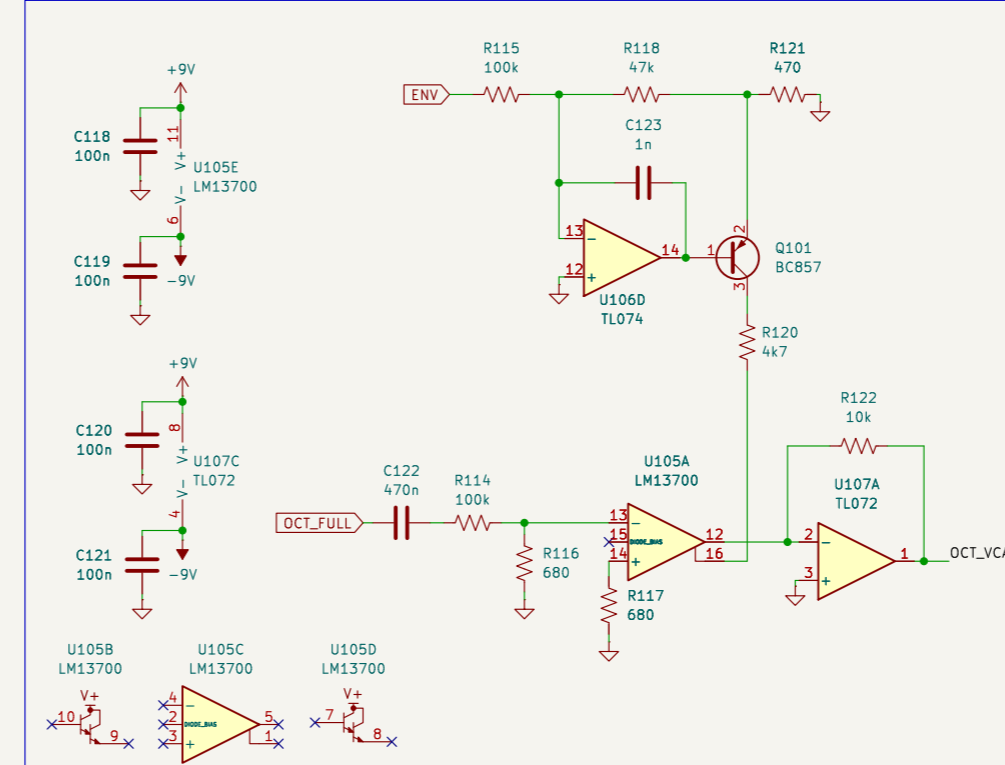
DC jack, 1/4" jacks, and footswitch



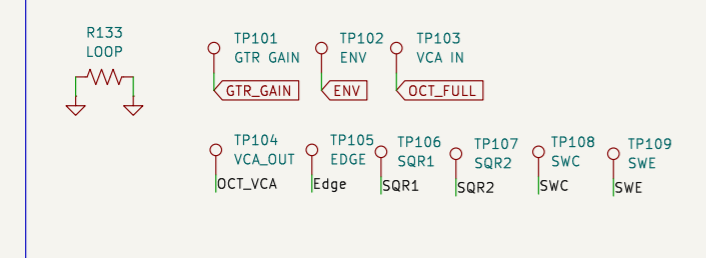
Envelope follower



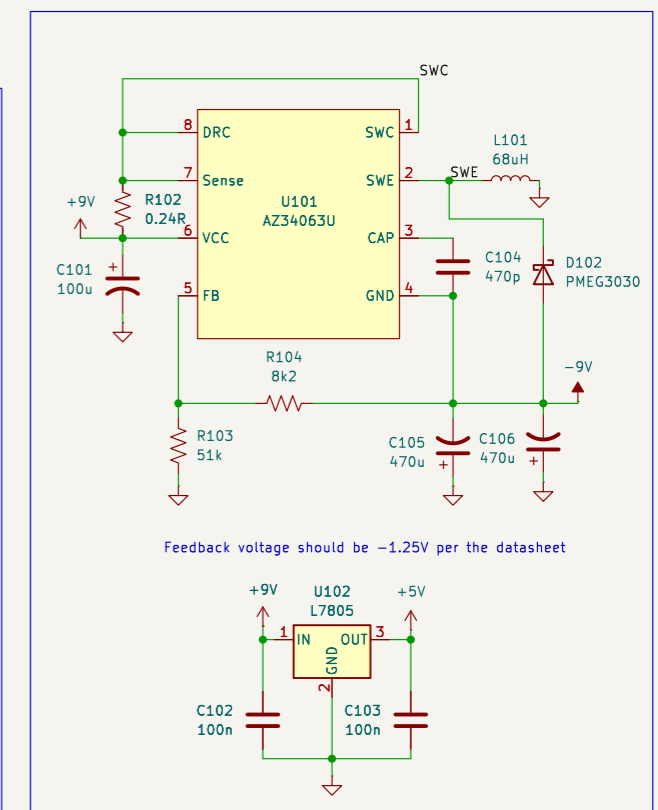
VCA



Test Points



Power supply



Sheet: /
File: OctaveEnv.kicad_sch

Title:

Size: A3 Date:

Rev:
Id: 1/1