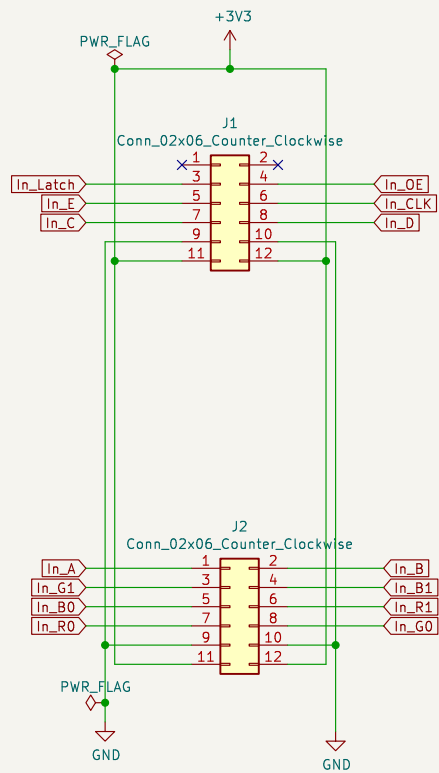
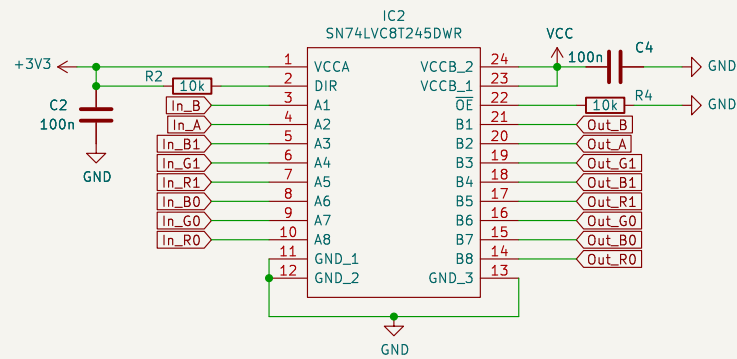
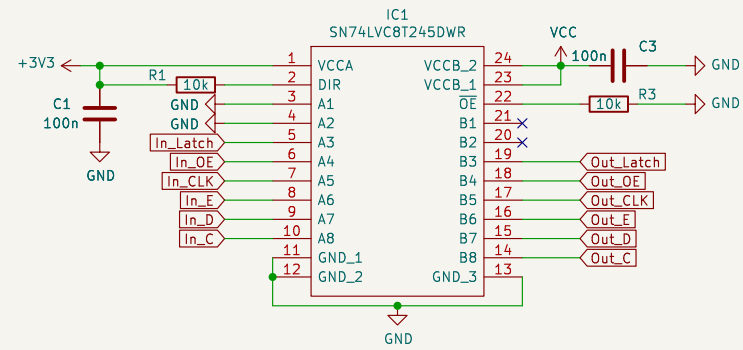


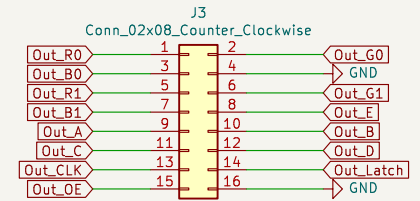
Duel PMod Connector



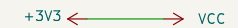
Level Converter Chips



Output to Hub75 Display



Connect the VCC (Output level for HUB75) to the 3V3 from the PMod Connector



Licensed Under CERN Open Hardware Licence Version 2 – Permissive

James Horton

Sheet: /

File: PMod_Hub75.kicad_sch

Title: PMod Board for Hub75 LED matrix

Size: A4

Date: 2022-01-07

Rev: v0.1

KiCad E.D.A. 9.0.0

Id: 1/1