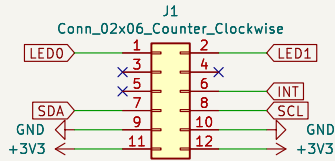
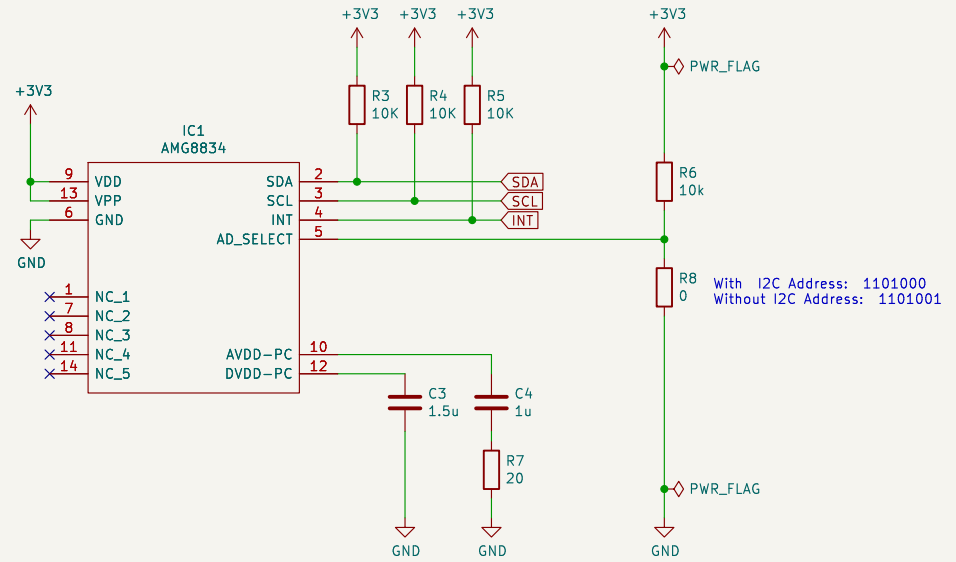


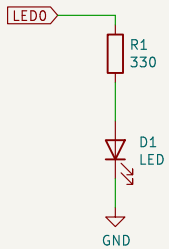
# PMod Connector



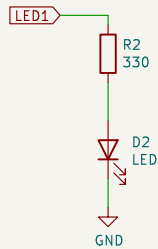
SDA and SCL are placed to match the outputs on the Pico PMod host board, so it can easily be used with that board.



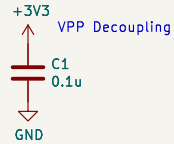
## Status LED 0



## Status LED 1

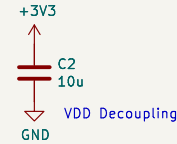


## Decoupling



Value for Vpp Decoupling taken from Datasheet

## Decoupling



Value for VDD Decoupling Capacitor taken from Datasheet

Sheet: /  
File: PMod\_Infrared\_Array.kicad\_sch

**Title:**

Size: A4  
KiCad E.D.A. 9.0.0

Date:

**Rev:**

Id: 1/1