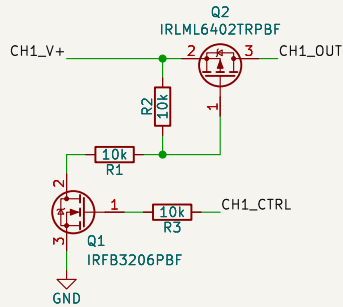


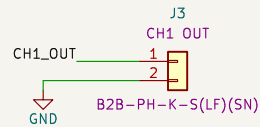
NOTES: (UNLESS OTHERWISE SPECIFIED)

1) THIS IS A 4-LAYER PCB FOR POWER TRANSMISSION CAPABILITIES.

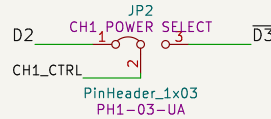
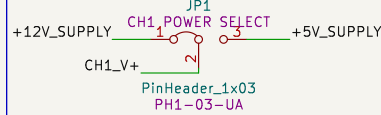
RELAY CHANNEL #1



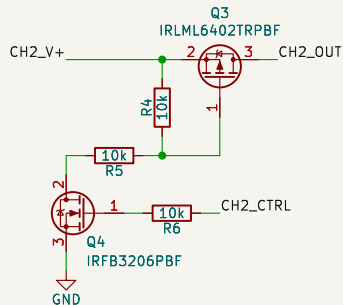
CONNECTORS



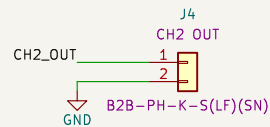
JUMPERS



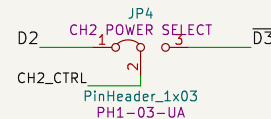
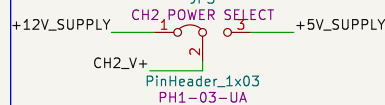
RELAY CHANNEL #2



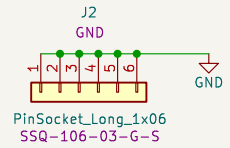
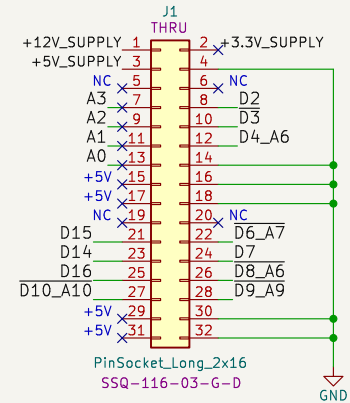
CONNECTORS



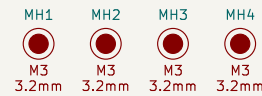
JUMPERS



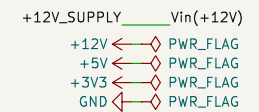
CONNECTORS



MOUNTING HOLES



PWR FLAGS



LOGOS/SILKSCREENS



License: CC BY-NC-SA

www.openhornet.com

Sheet: /

File: ABSIS_ALE Relay Module.kicad_sch

Title: ABSIS ALE Relay Module

Size: A Date: 2023-05-09

KiCad E.D.A. 9.0.0

Rev: 2

Id: 1/1