

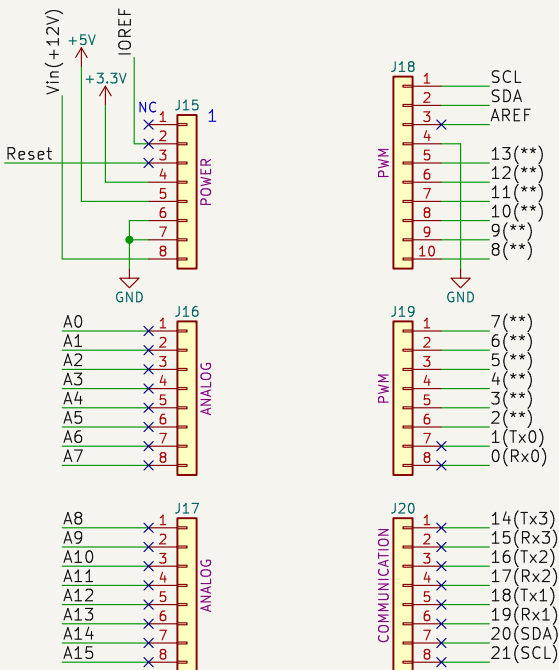
NOTES: (UNLESS OTHERWISE SPECIFIED)

- 1) This is a 2-Layer PCB
- 2) Each layer requires a 2oz Copper pour
- 3) The 12V_Supply and Vin(+12V) symbols under PWR FLAGS depict 2 different nets, but are ultimately tied together.

ARDUINO MEGA REV3

Note: 1) Connections are standard 2.54mm pitch Pin Headers. Pin Sockets can be used in lieu of Pin Headers; dependent on what is attached to the Arduino Mega.

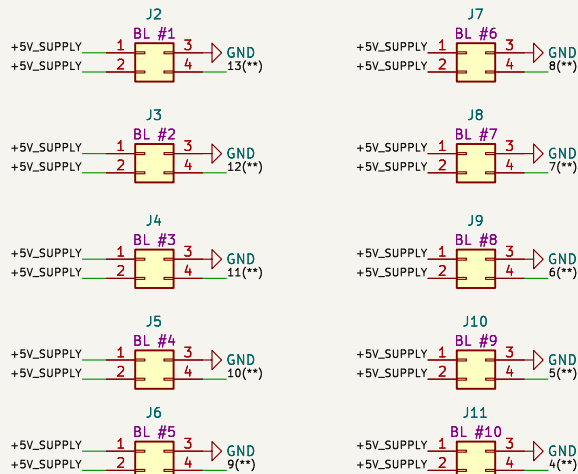
- 2) 5x - 1x08 Pin Headers
- 1x - 1x10 Pin Header
- 1x - 2x18 Pin Header



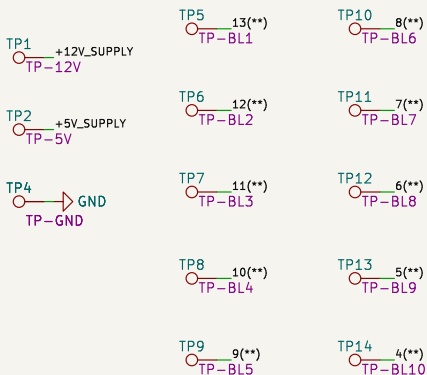
NOTE: *5V NET IS SAME, OUT TO SUPPLY ROUTING.

BACKLIGHTING CHANNELS

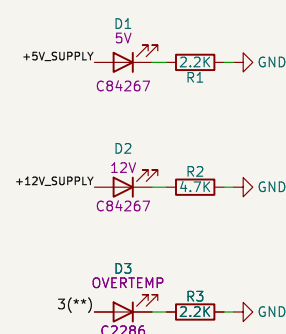
Note: All connectors associated with backlighting channels (BL#1 thru BL#10) are Molex Mini-Fit Jr. 2x02 (Part Number: 39-28-1043)



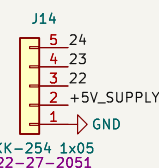
TEST POINTS



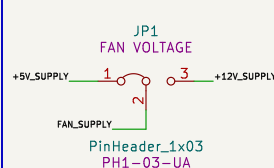
LEDS



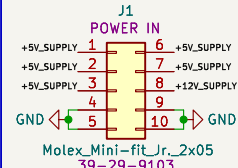
ROTARY ENCODER



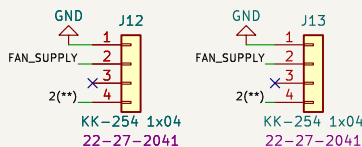
FAN VOLTAGE SELECTOR



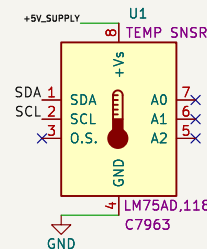
ABSIS BACKLIGHT POWER



COOLING FANS



TEMP SENSOR



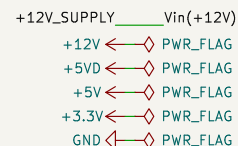
MOUNTING HOLES



LOGOS



PWR FLAGS



2: Each layer requires a 2oz copper pour.

1: There are only 2 layers.

License: CC BY-NC-SA

www.openhornet.com

Sheet: /

File: ABSIS_Backlight Controller.kicad_sch

Title: ABSIS Backlight Controller

Size: USLetter Date: 2023-05-14

KiCad E.D.A. 9.0.0

Rev: 7

Id: 1/1