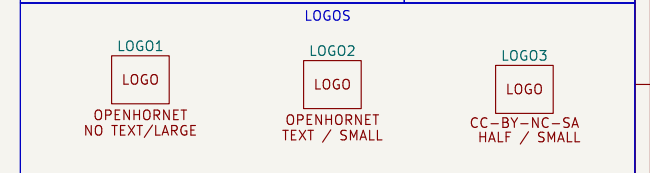
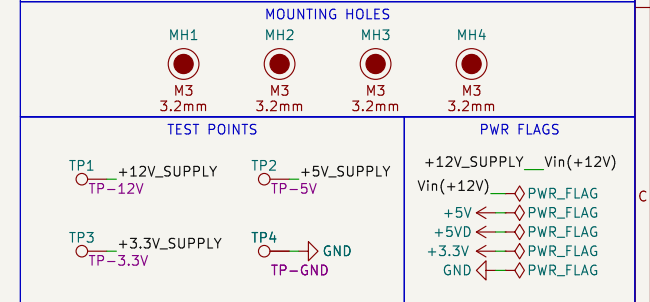
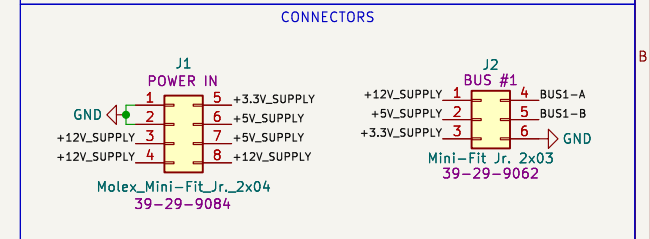
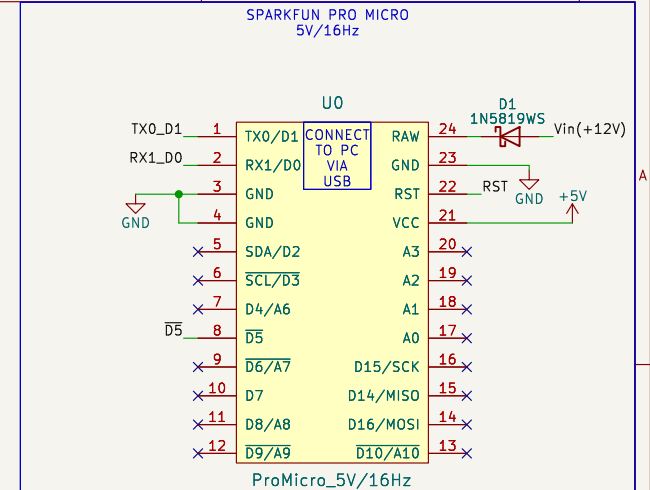
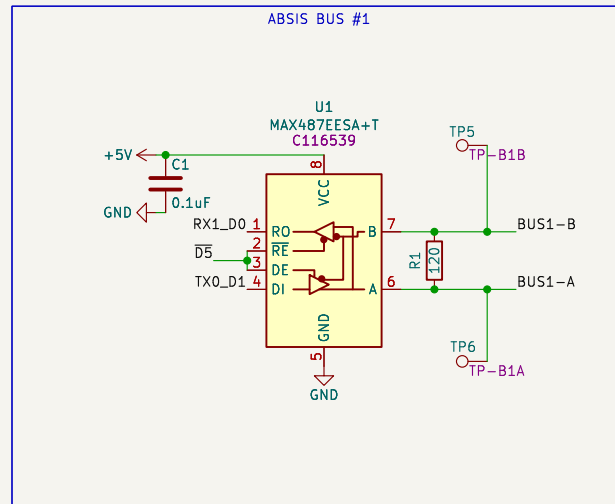


NOTES: (UNLESS OTHERWISE SPECIFIED)

- 1) PRO MICRO GETS ADDED VIA 24-PIN 15.24mm WIDE DIP SOCKET.
- 2) FOR ARDUINO PRO MICRO PROGRAMMING VIA USB: MAY BE PROGRAMMED IN-CIRCUIT. USE "SERIAL" FOR REFERRING TO USB COMMUNICATIONS; "SERIAL1" FOR TX/RX RS485 PINS.
- 3) THE RAW POWER PIN ON THE PRO MICRO AND +12V_SUPPLY ARE TIED TOGETHER. IF THE PRO MICRO BOARD IS POWERED VIA USB, THE VOLTAGE AT THIS PIN IS ABOUT 4.8V
- 4) IF PCB IS POWERED VIA ABSIS BUS (I.E. PRO-MICRO IS POWERED VIA RAW PIN INSTEAD OF USB) THEN DESOLDER/REMOVE F1 FUSE ON PRO-MICRO AND ENSURE JP1 JUMPER ON PRO-MICRO IS NOT BRIDGED/SOLDERED. FAILURE TO DO SO WILL RESULT IN POWER FROM ON BOARD VOLTAGE REGULATOR BACKFEEDING THE USB POWER LINE.

CAUTION: AFTER THIS MODIFICATION, THE PRO-MICRO CAN ONLY BE POWERED VIA THE RAW PIN. USB POWER WILL NOT BE AVAILABLE TO THE PRO-MICRO.



License: CC BY-NC-SA

www.openhornet.com

Sheet: /

File: ABSIS_HID Bus Master.kicad_sch

Title: ABSIS HID Bus Master

Size: A Date: 2023-12-10

KiCad E.D.A. 9.0.0

Rev: 4

Id: 1/1