

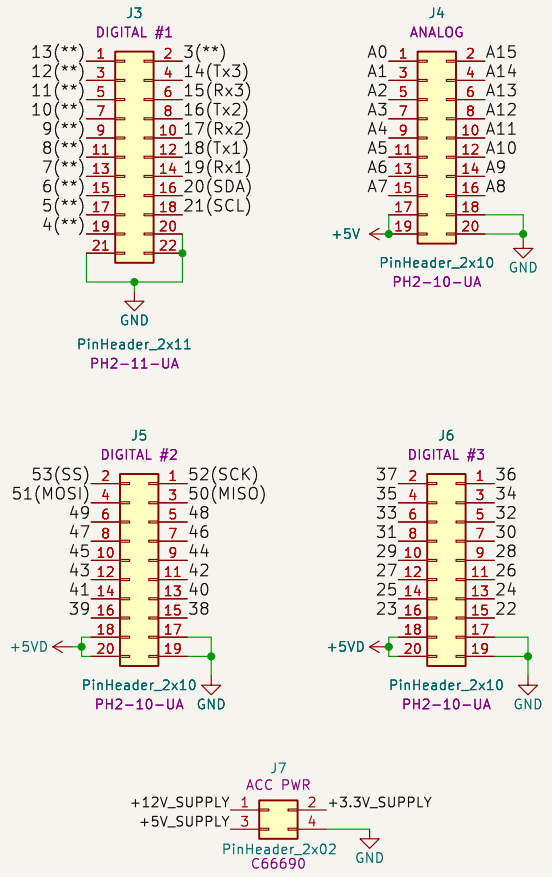
NOTES: (UNLESS OTHERWISE SPECIFIED)

1) INSTALL JUMPER (PN: JM-2BK-61 OR SIMILAR) ACROSS JP1 TO ENABLE RS485.
REMOVE JUMPER TO PROGRAM PRO MICRO VIA USB.

CAUTION: POWER SUPPLY PINS ON BUS OUT CONNECTOR WILL BE ACTIVE REGARDLESS IF DATA IS ENABLED ON THAT CONNECTOR.

2) RS485 BUS TERMINATION: DO NOT INSTALL J2 (BUS OUT) CONNECTOR AND ADD A 120OHM THRU-HOLE RESISTOR ACROSS PINS 4&5 OF J2 (BUS OUT) ON LAST ABSIS NANO OF RS485 BUS.

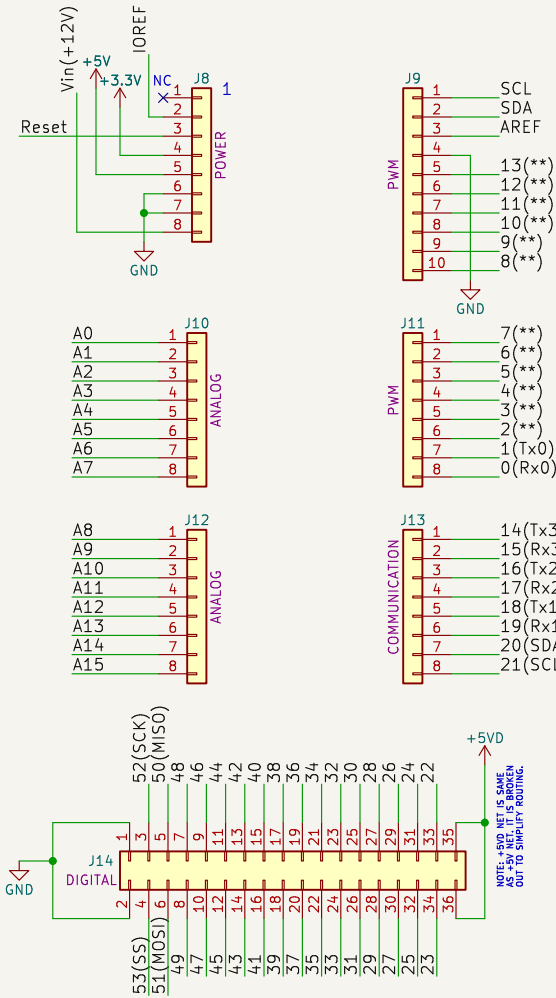
ABSIS_MEGA PINOUT



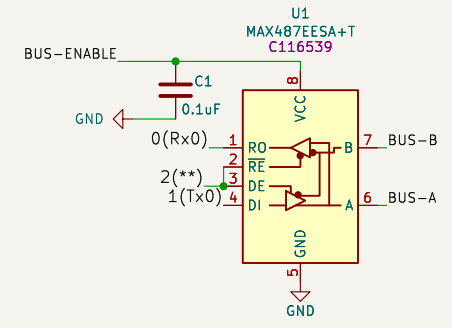
ARDUINO MEGA REV3

Note: 1) Connections are standard 2.54mm pitch Pin Headers. Pin Sockets can be used in lieu of Pin Headers; dependent on what is attached to the Arduino Mega.

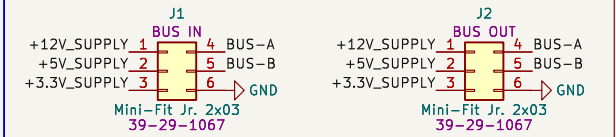
2) 5x - 1x08 Pin Headers
1x - 1x10 Pin Header
1x - 2x18 Pin Header



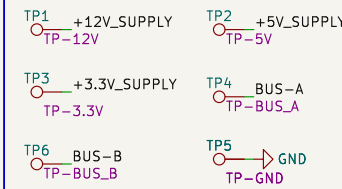
RS485 BUS CONTROLLER



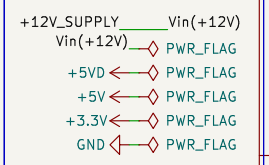
CONNECTORS



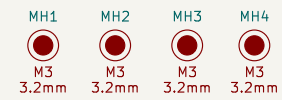
TEST POINTS



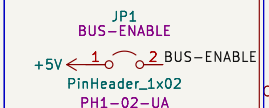
PWR FLAGS



MOUNTING HOLES



JUMPERS



LOGOS



License: CC BY-NC-SA

www.openhornet.com

Sheet: /

File: ABSIS_Mega.kicad_sch

Title: ABSIS MEGA 2.0

Size: USLegal Date: 2023-05-15

KiCad E.D.A. 9.0.0

Rev: 2

Id: 1/1