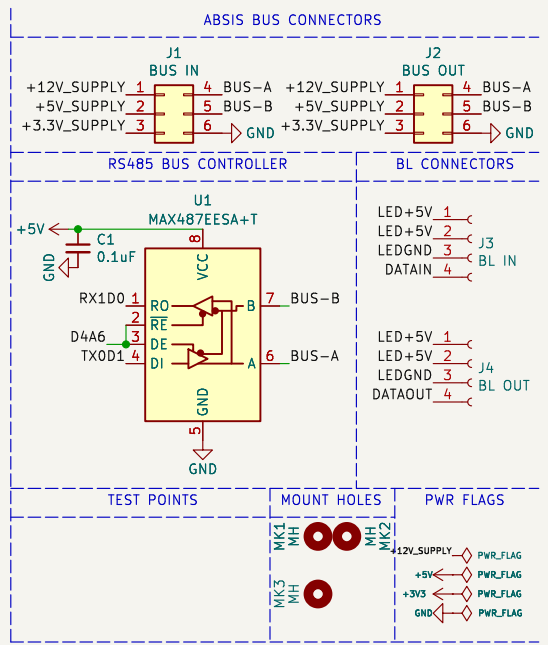
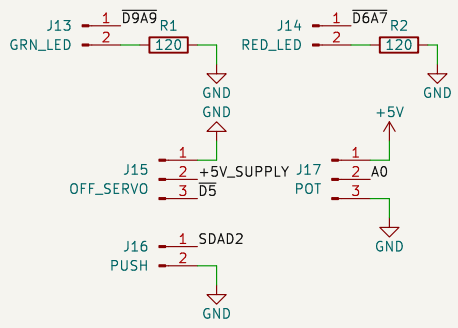
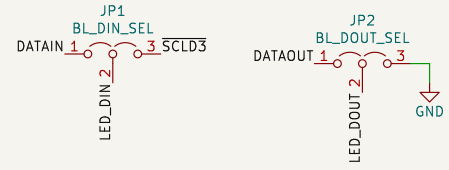
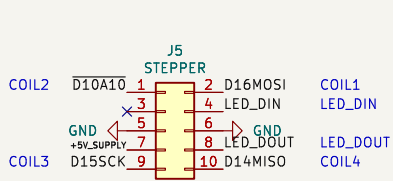
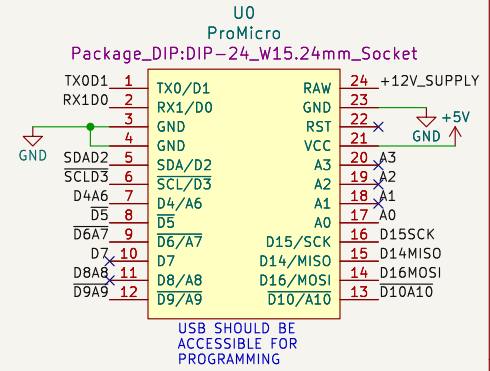


# NOTES: (UNLESS OTHERWISE SPECIFIED)

1) BL DATA SELECT: PLACE JUMPER OVER PINS 1 & 2 OF JP1/JP2 TO SELECT DATA INPUT FROM BACKLIGHTING BUS. PLACE JUMPER OVER PINS 2 & 3 OF JP2/JP3 TO SELECT DATA FROM THE STANDBY CONTROLLER MCU.



CC BY-NC-SA	
OpenHornet	
Sheet: /	
File: CONTROLLER_Radar Altimeter.kicad_sch	
<b>Title: Radar Altimeter Controller</b>	
Size: A	Date: 2021-10-30
KiCad E.D.A. 9.0.0	Rev: 1
	Id: 1/1