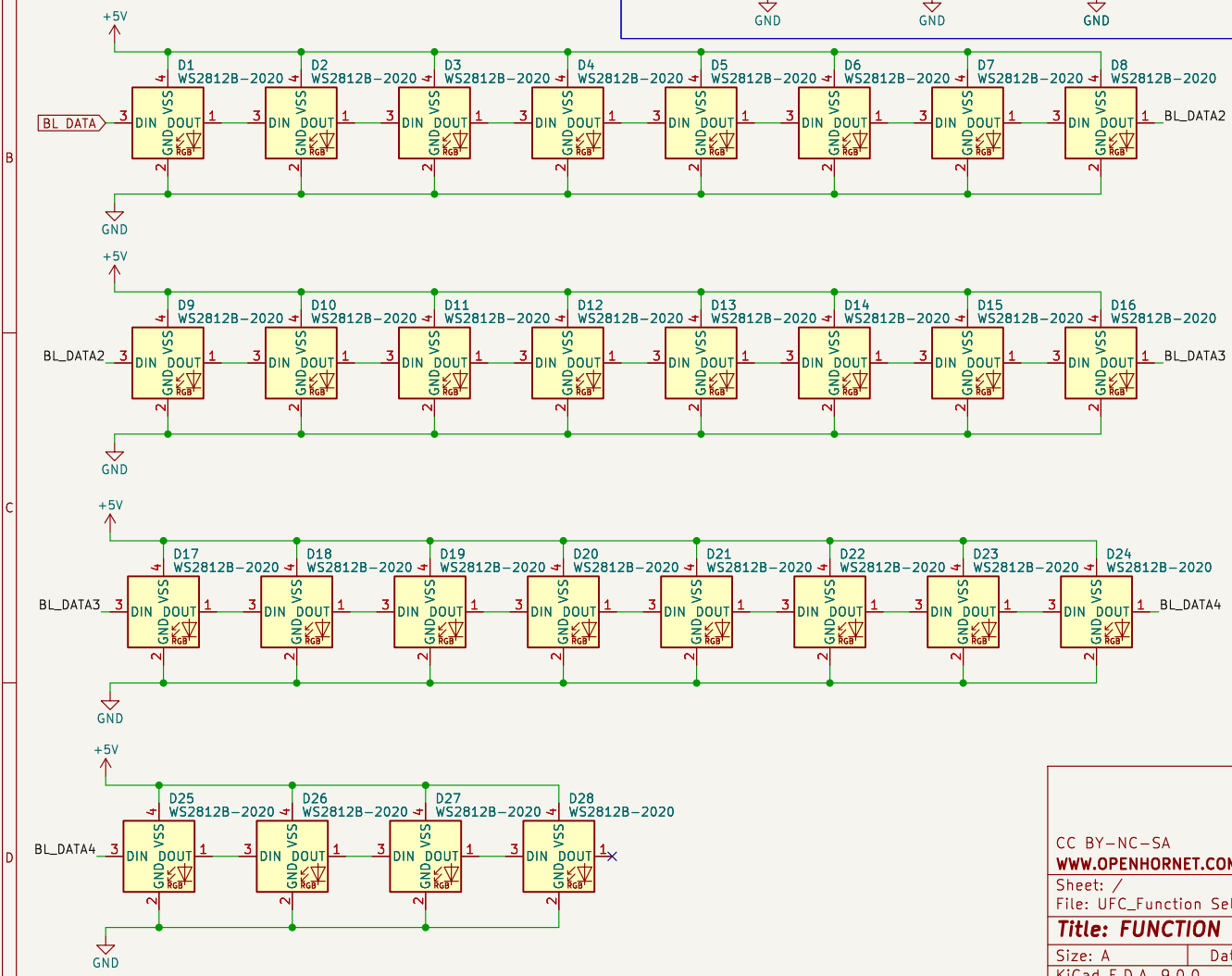
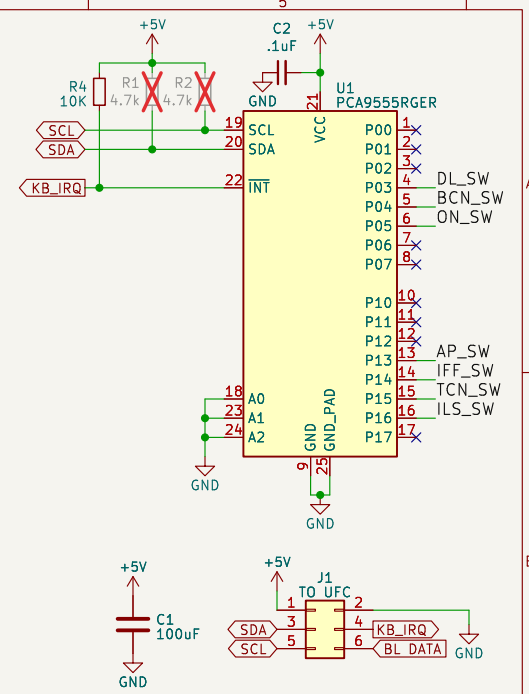
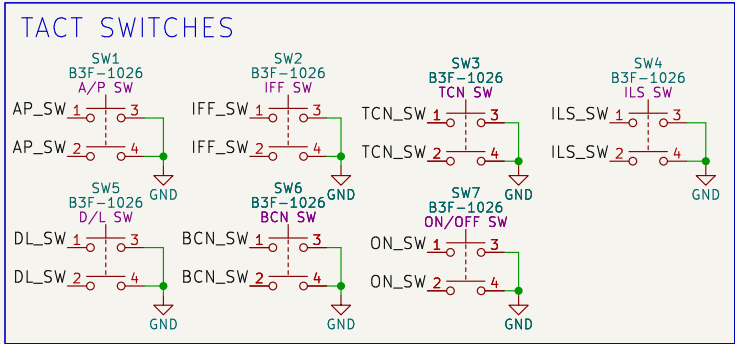


NOTES: (UNLESS OTHERWISE SPECIFIED)

1) xxxx



CC BY-NC-SA
www.OPENHORNET.COM
 Sheet: /
 File: UFC_Function Select.kicad_sch
Title: FUNCTION SELECT PCB

Size: A	Date: 2023-07-04	Rev: 3
KiCad E.D.A. 9.0.0		Id: 1/1