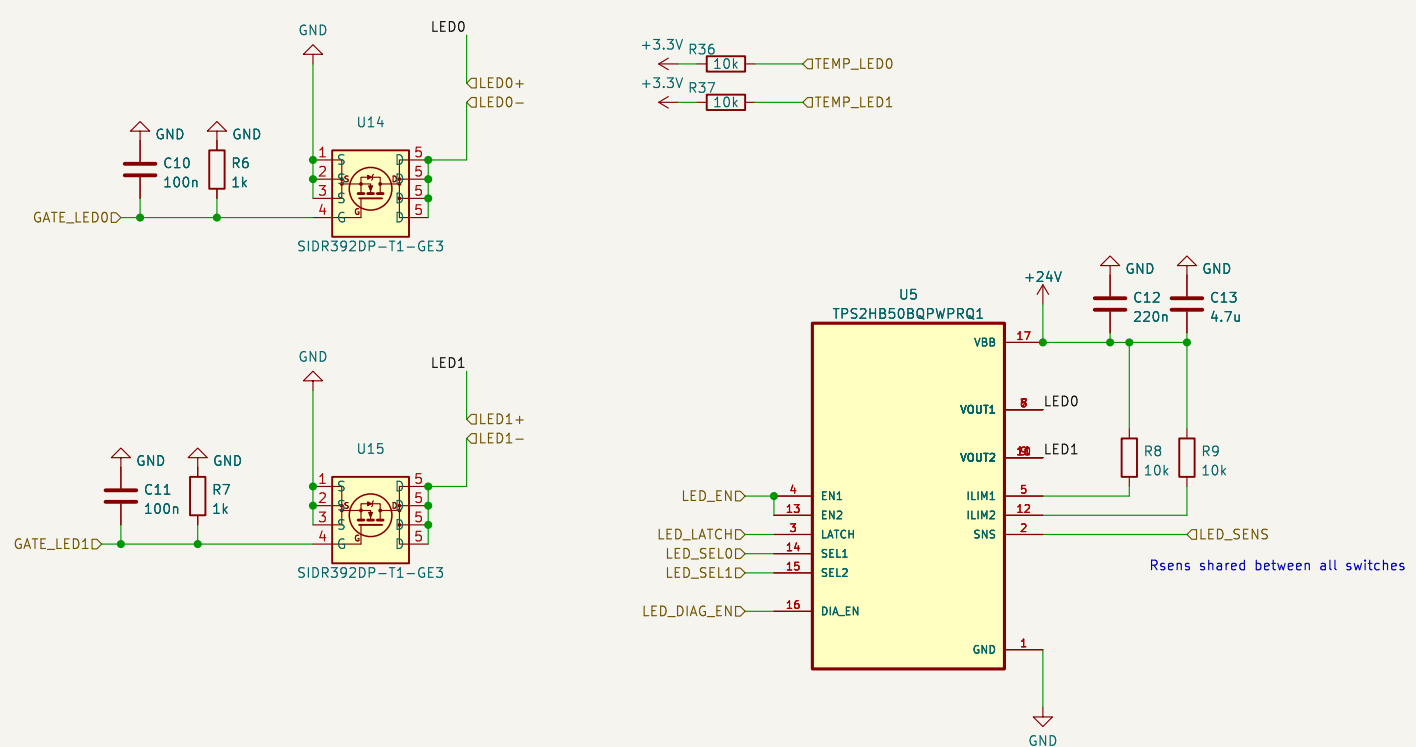


Sheet: /LED Driver/
 File: led_driver.kicad_sch

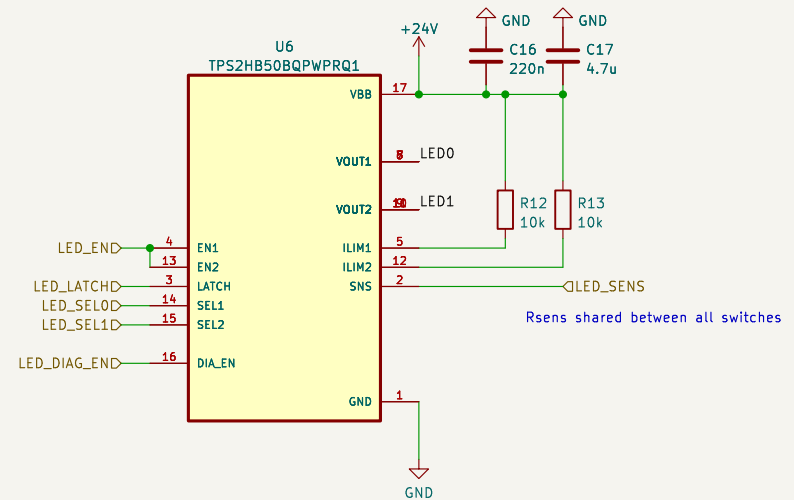
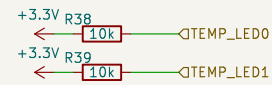
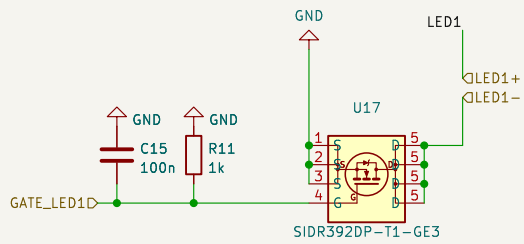
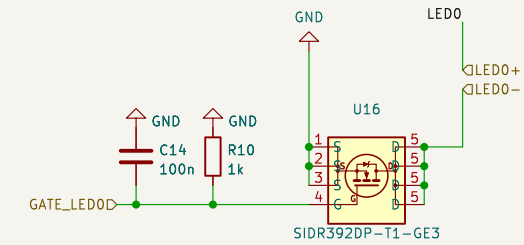
Title:

Size: A4 Date:
 KiCad E.D.A. 9.0.0

Rev:
 Id: 2/9



Sheet: /LED Driver1/		File: led_driver.kicad_sch	
Title:			
Size: A4	Date:	Rev:	
KiCad E.D.A. 9.0.0		Id: 3/9	

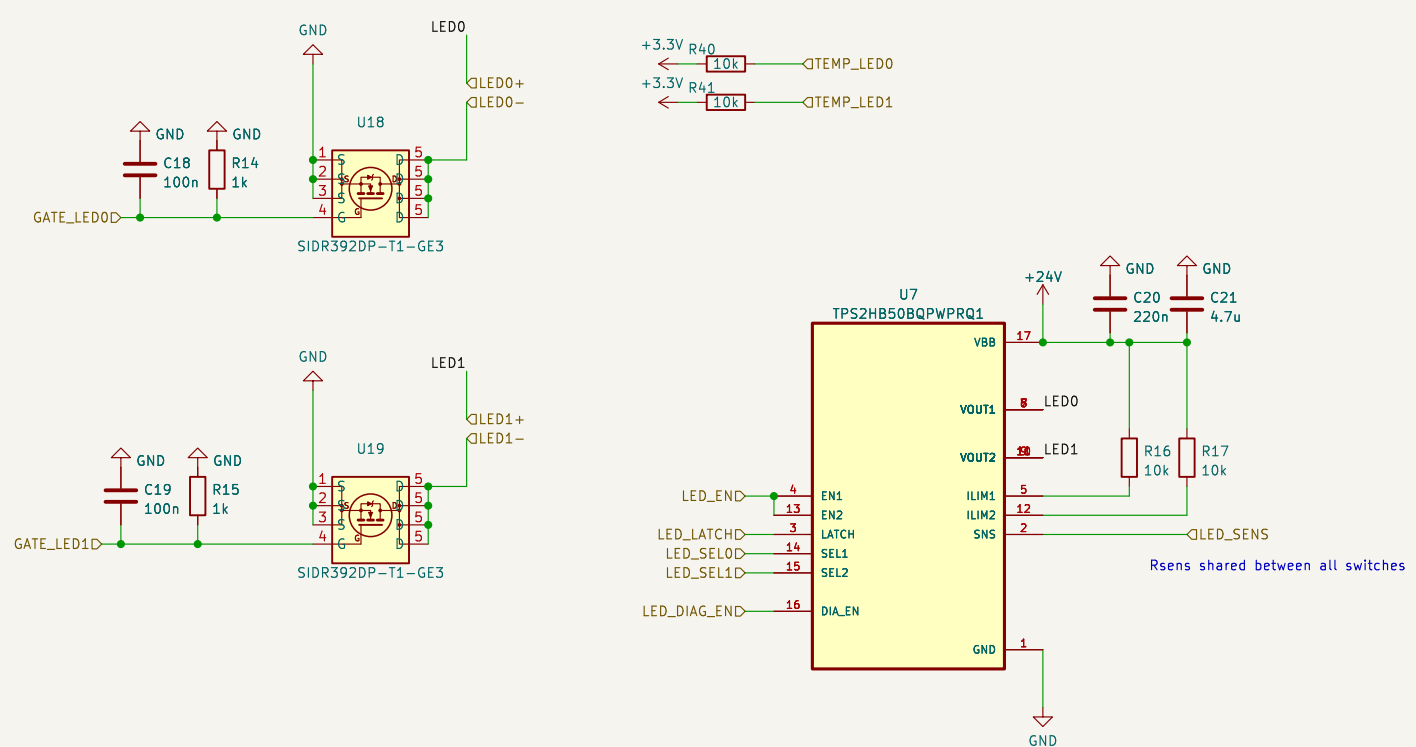


Sheet: /LED Driver2/
File: led_driver.kicad_sch

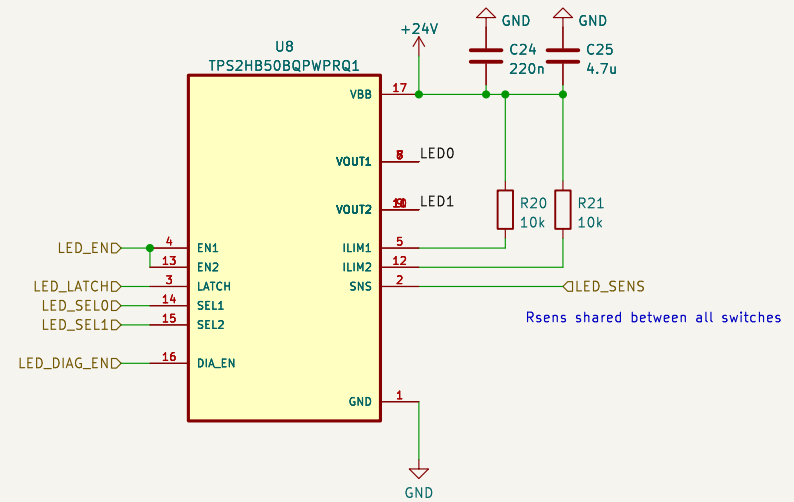
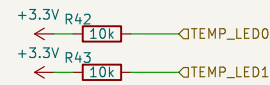
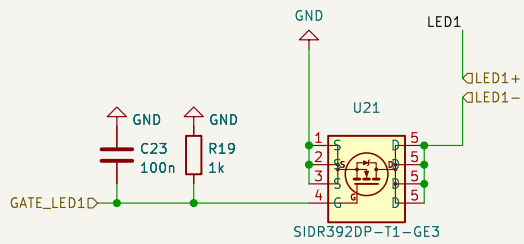
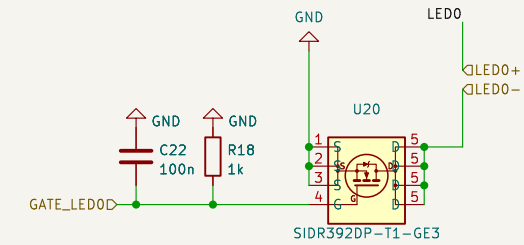
Title:

Size: A4 Date:
KiCad E.D.A. 9.0.0

Rev:
Id: 4/9



Sheet: /LED Driver3/		File: led_driver.kicad_sch	
Title:			
Size: A4	Date:	Rev:	
KiCad E.D.A. 9.0.0		Id: 5/9	

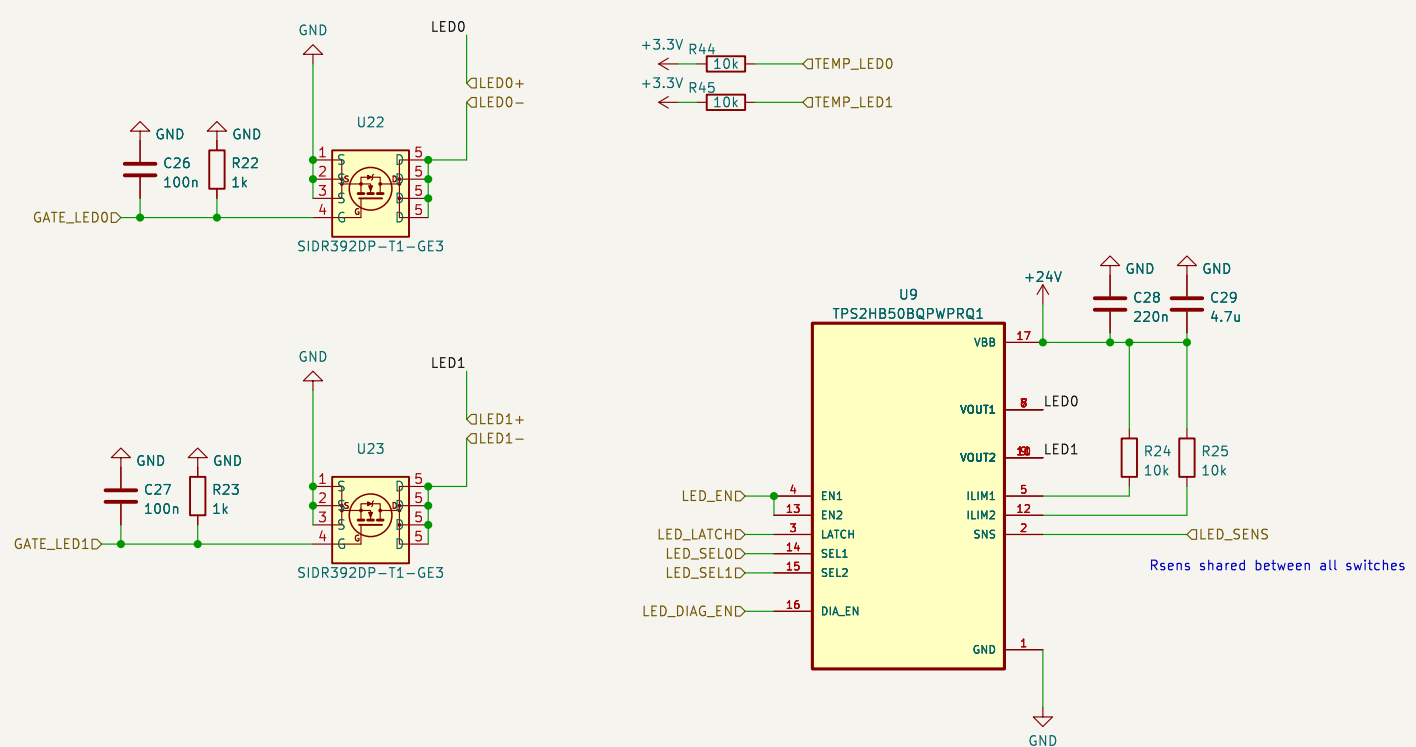


Sheet: /LED Driver4/
 File: led_driver.kicad_sch

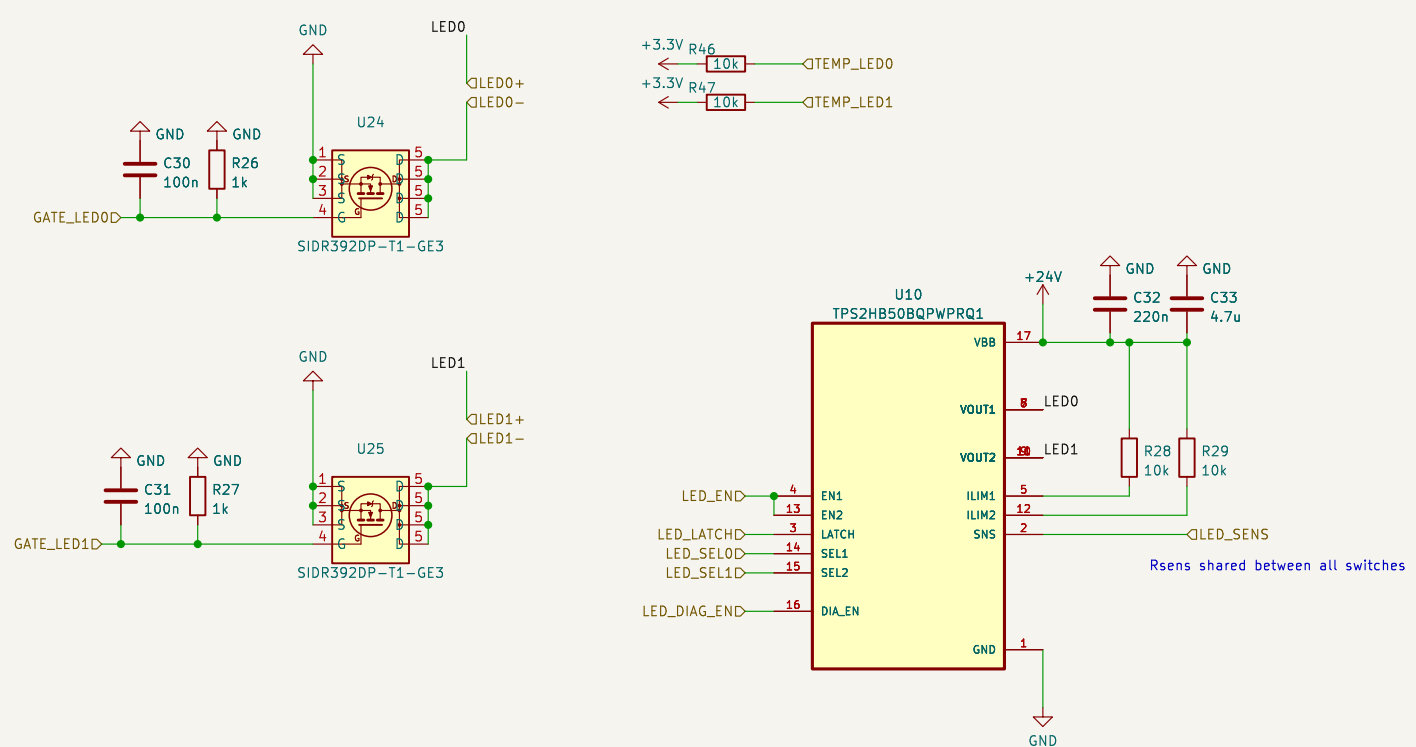
Title:

Size: A4 Date:
 KiCad E.D.A. 9.0.0

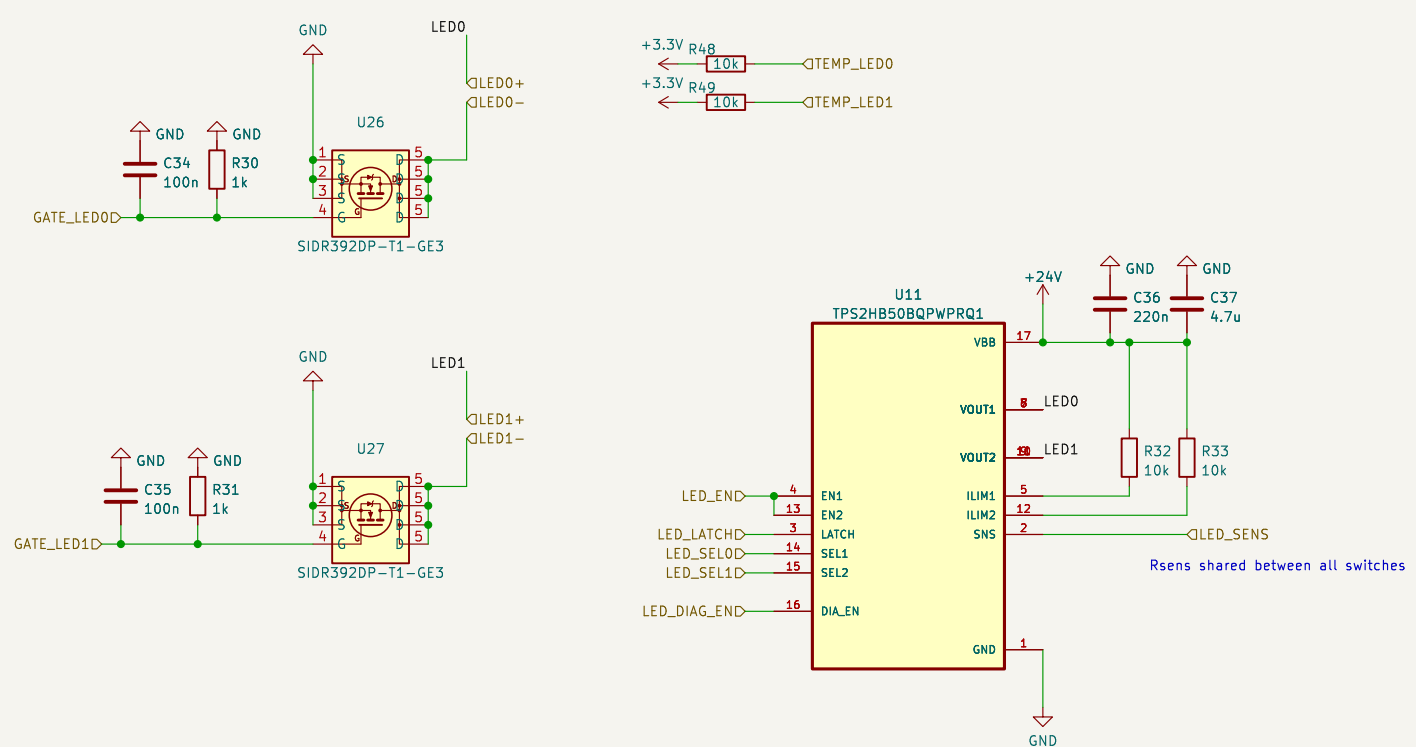
Rev:
 Id: 6/9



Sheet: /LED Driver5/		
File: led_driver.kicad_sch		
Title:		
Size: A4	Date:	Rev:
KiCad E.D.A. 9.0.0		Id: 7/9



Sheet: /LED Driver6/		File: led_driver.kicad_sch	
Title:			
Size: A4	Date:	Rev:	
KiCad E.D.A. 9.0.0		Id: 8/9	



Sheet: /LED Driver7/		
File: led_driver.kicad_sch		
Title:		
Size: A4	Date:	Rev:
KiCad E.D.A. 9.0.0		Id: 9/9