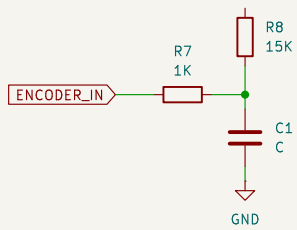


| | |
|---|---------|
| Sheet: / | |
| File: ESB0100D City-120 mainboard.kicad_sch | |
| Title: | |
| Size: A4 | Date: |
| KiCad E.D.A. 9.0.0 | Rev: |
| | Id: 1/9 |



Sheet: /Encoder input/
File: encoder_input.kicad_sch

Title:

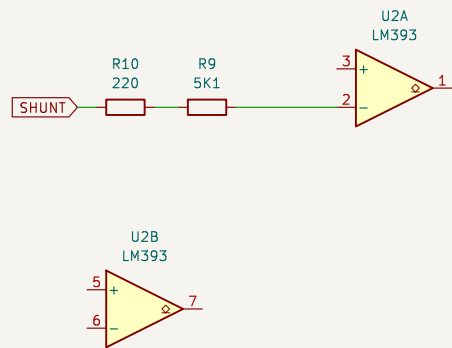
Size: A4

Date:

Rev:

KiCad E.D.A. 9.0.0

Id: 2/9



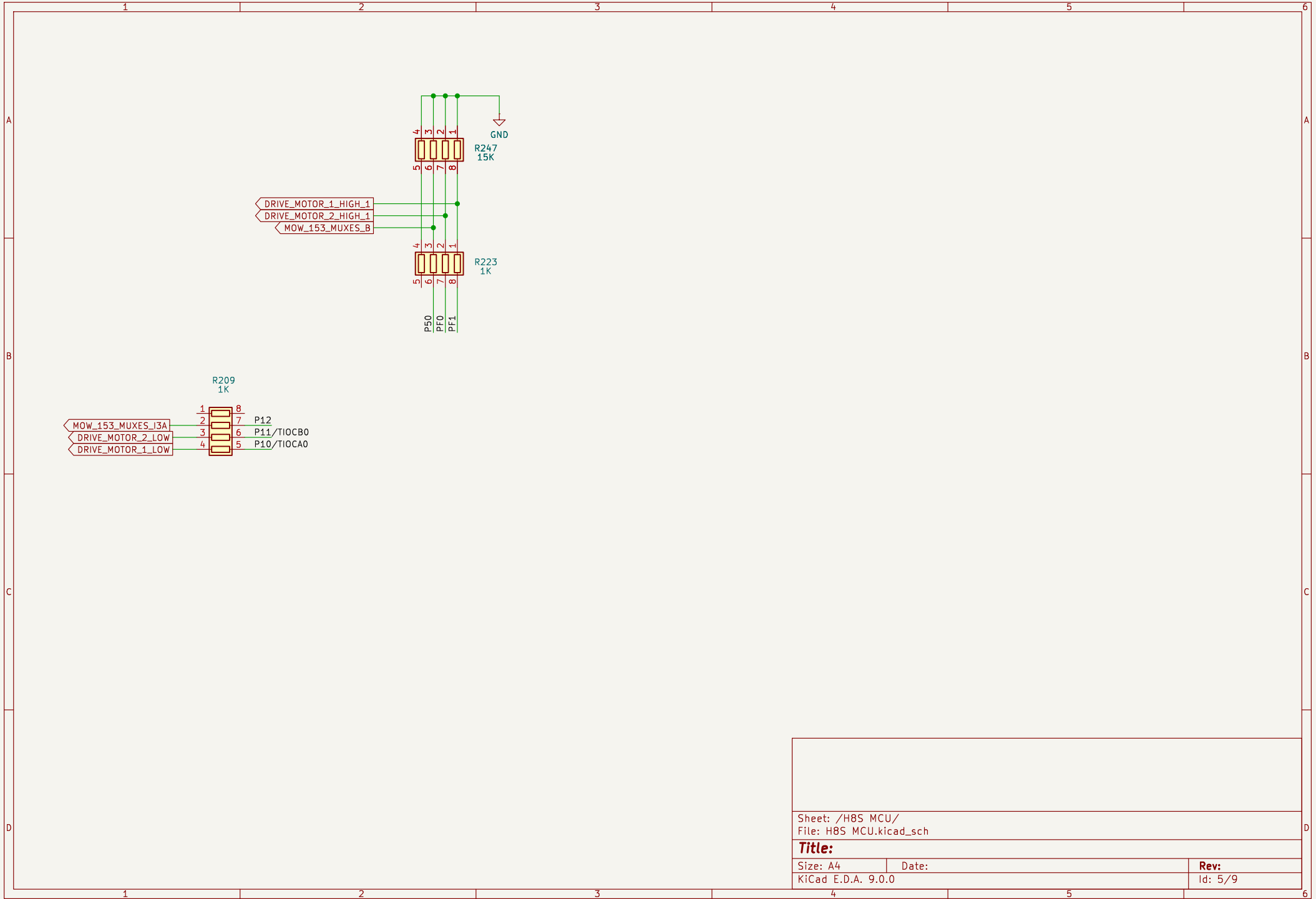
Sheet: /Drive motor shunt amp/
File: drive_motor_shunt_amp.kicad_sch

Title:

Size: A4
KiCad E.D.A. 9.0.0

Date:

Rev:
Id: 3/9



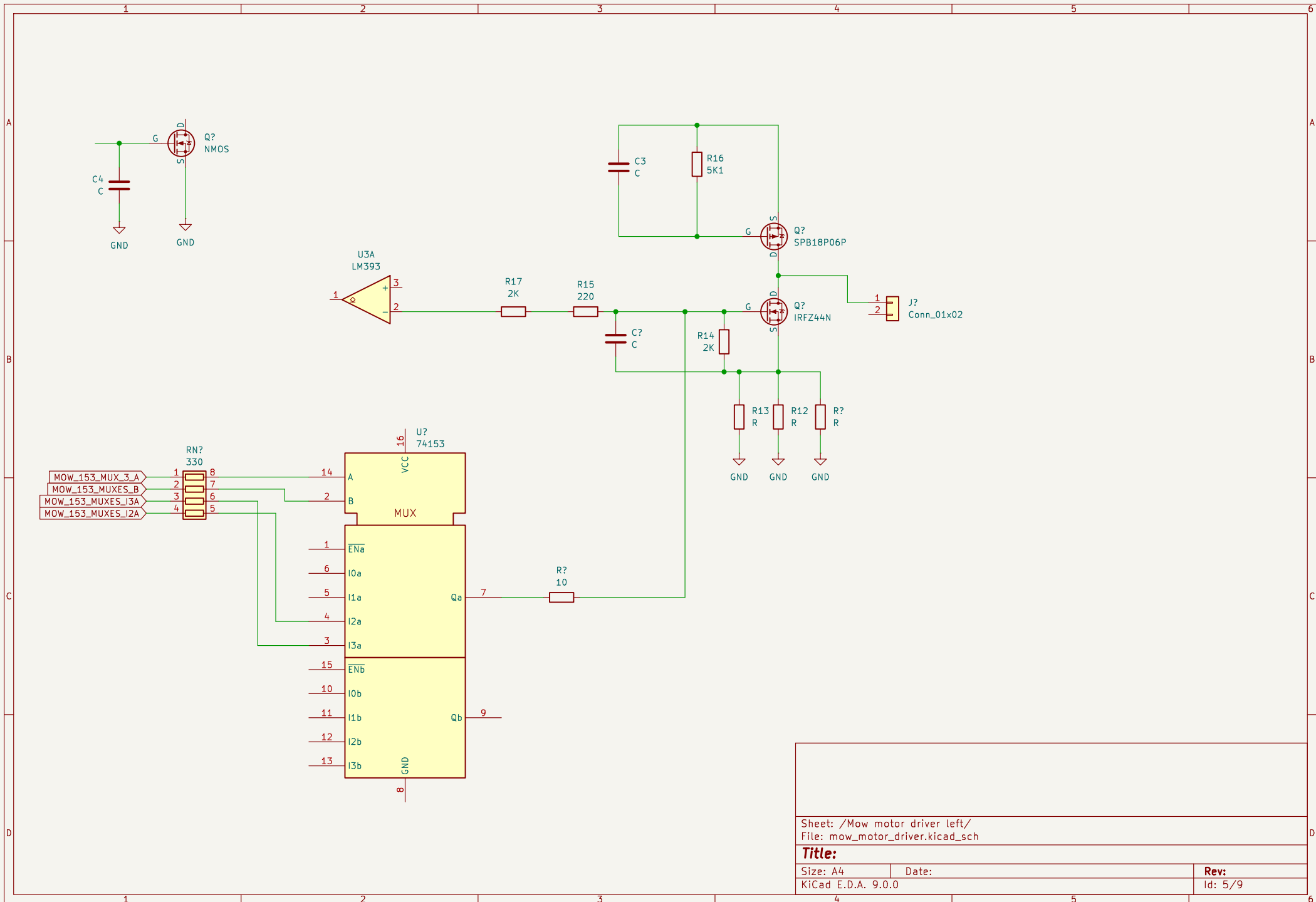
Sheet: /H8S MCU/
 File: H8S MCU.kicad_sch

Title:

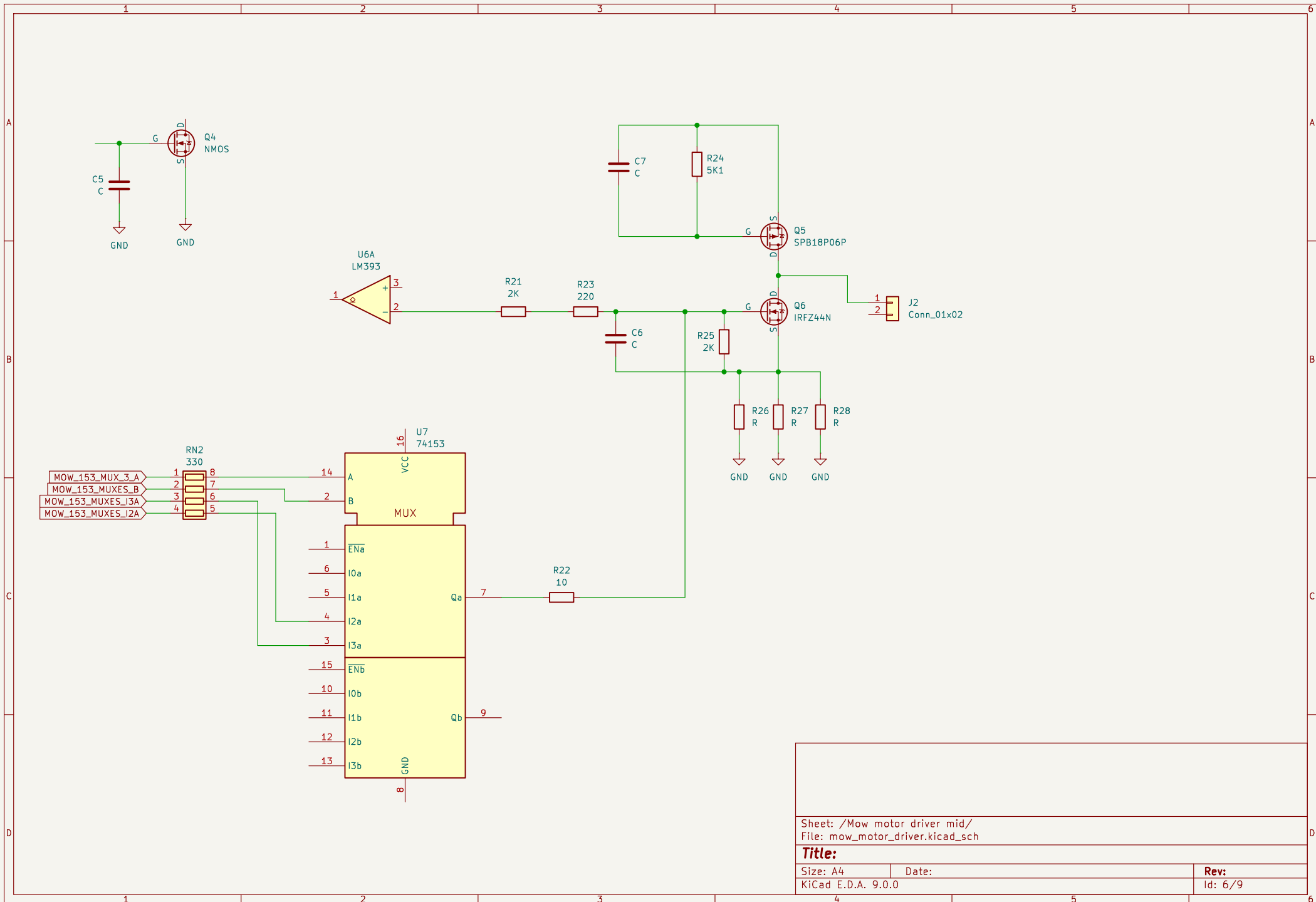
Size: A4
 KiCad E.D.A. 9.0.0

Date:

Rev:
 Id: 5/9



| | |
|--|--------------|
| Sheet: /Mow motor driver left/ File: mow_motor_driver.kicad_sch | |
| Title: | |
| Size: A4 | Date: |
| KiCad E.D.A. 9.0.0 | Rev: Id: 5/9 |



Sheet: /Mow motor driver mid/
 File: mow_motor_driver.kicad_sch

Title:

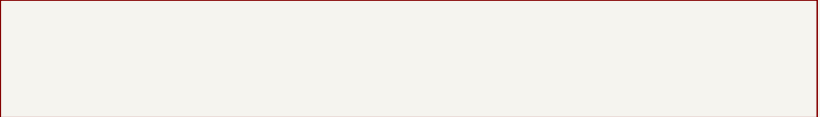
Size: A4 Date:

KiCad E.D.A. 9.0.0

Rev:

Id: 6/9

| | | | | | | |
|---|---|---|---|---|---|---|
| | 1 | 2 | 3 | 4 | 5 | 6 |
| A | | | | | | A |
| B | | | | | | B |
| C | | | | | | C |
| D | | | | | | D |
| | 1 | 2 | 3 | 4 | 5 | 6 |



| | | | |
|-----------------------------------|--------------------|-------|---------|
| Sheet: /Connector board ESB0021E/ | | Date: | |
| File: ESB0021E.kicad_sch | | Rev: | |
| Size: A4 | KiCad E.D.A. 9.0.0 | | Id: 9/9 |