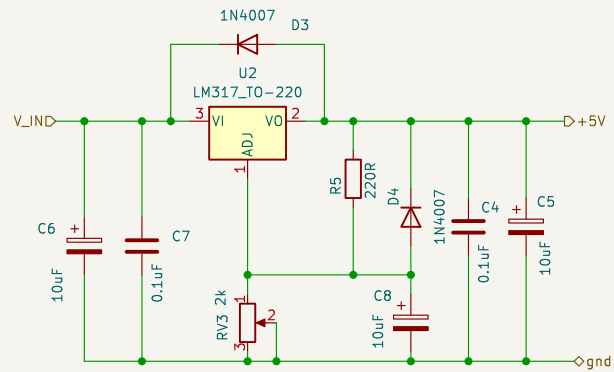


Sheet: /	
File: zelenin-HW10.kicad_sch	
Title:	
Size: A4	Date:
KiCad E.D.A. 9.0.0	Rev: 1/2



Sheet: /Stabilizer/
 File: Stabilizer.kicad_sch

Title:

Size: A4 Date:
 KiCad E.D.A. 9.0.0

Rev:
 Id: 4/2