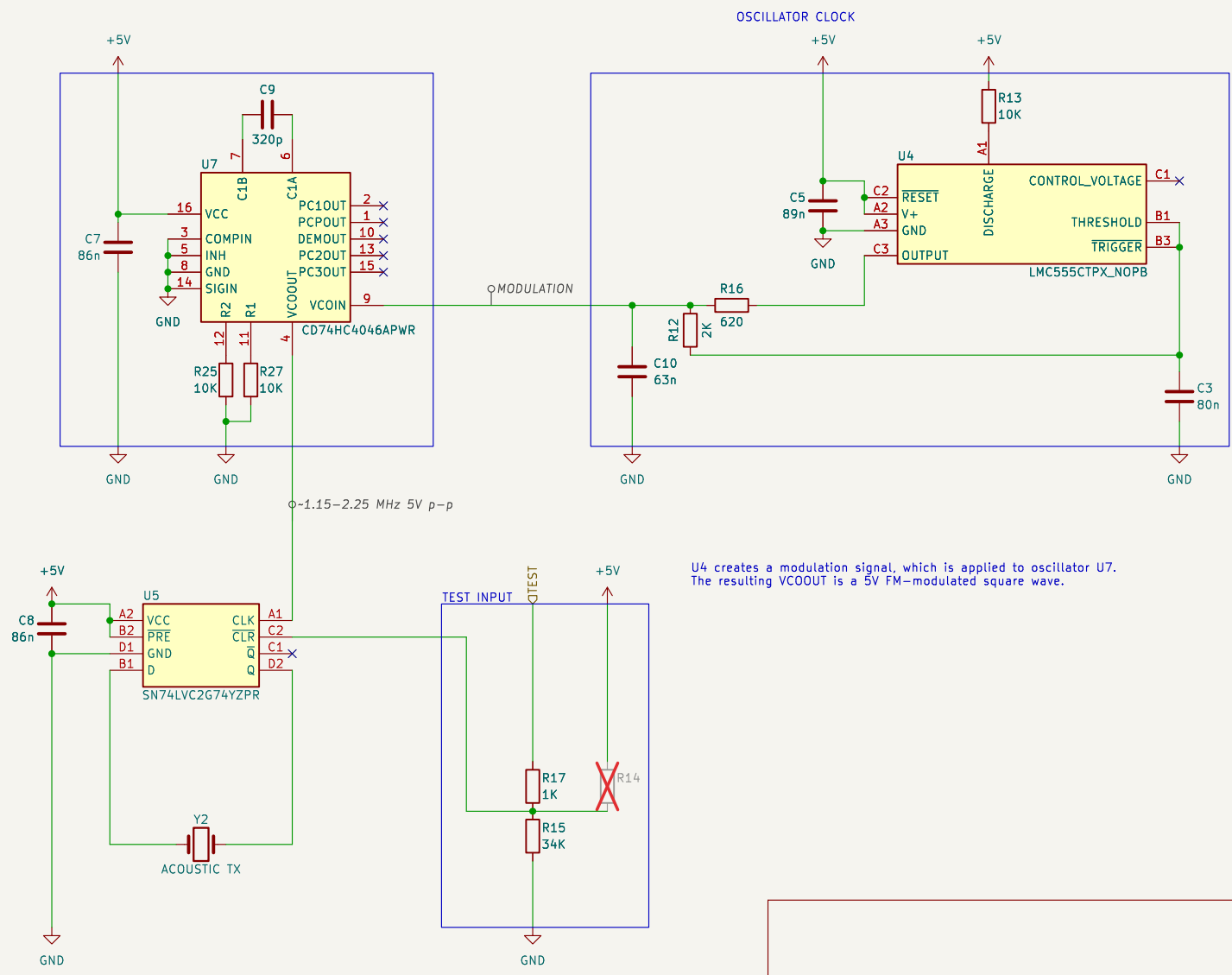


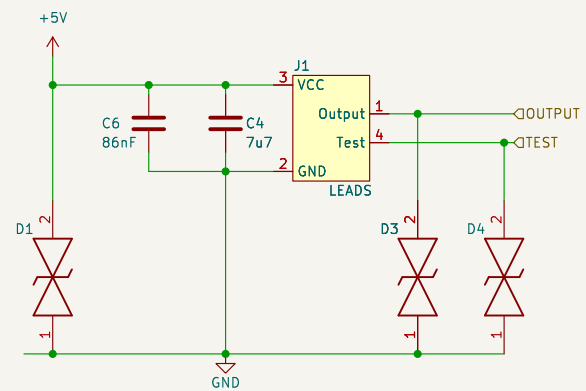
Sheet: /		Date:	
File: mg.kicad_sch		Rev:	
Size: A4	KiCad E.D.A. 9.0.0		Id: 1/3



~1.15-2.25 MHz 5V p-p

U4 creates a modulation signal, which is applied to oscillator U7. The resulting VCOOUT is a 5V FM-modulated square wave.

Sheet: /PLL VCO/		File: pll-vco.kicad_sch	
<b>Title:</b>			
Size: A4	Date:	Rev:	
KiCad E.D.A. 9.0.0		Id: 2/3	



Sheet: /power/  
 File: tvs\_protection.kicad\_sch

**Title:**

Size: A4  
 KiCad E.D.A. 9.0.0

Date:

Rev:  
 Id: 3/3