

Sheet: /Modulator/
 File: Modulator.kicad_sch

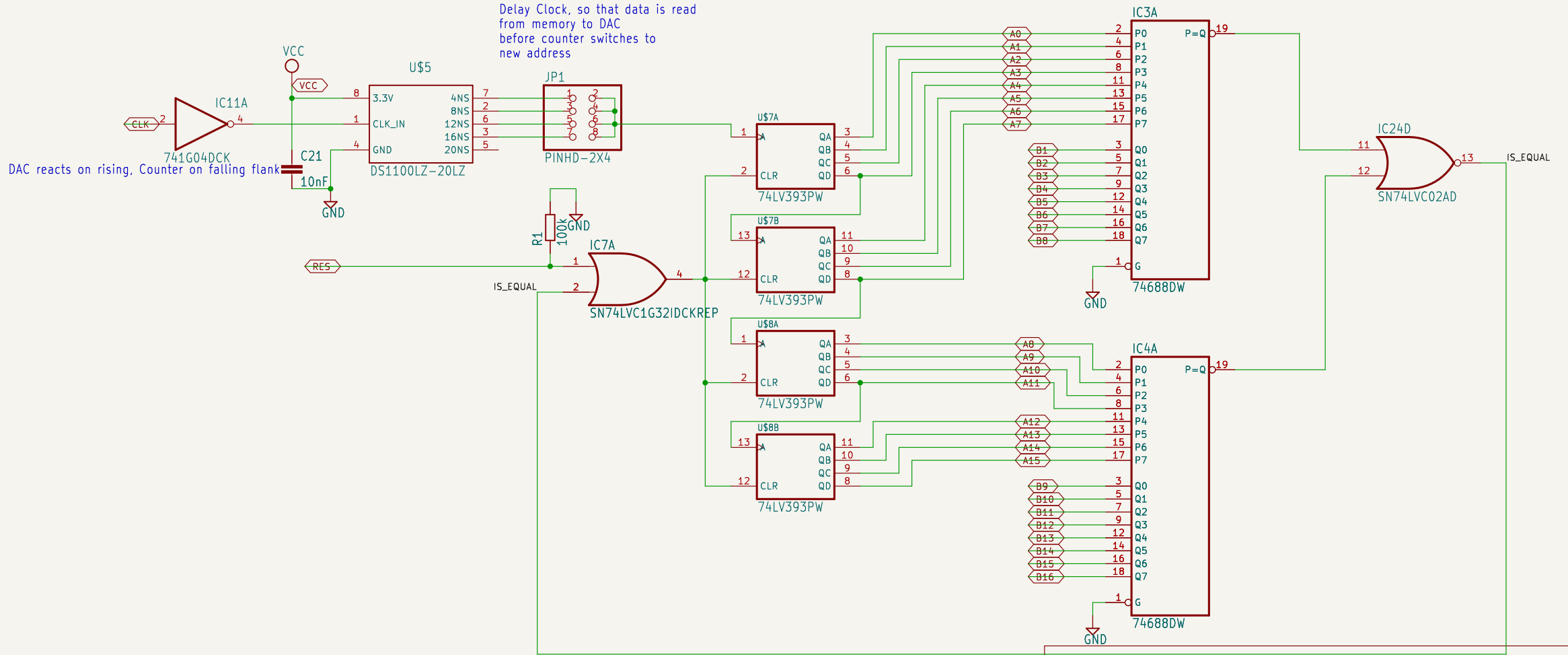
Title:

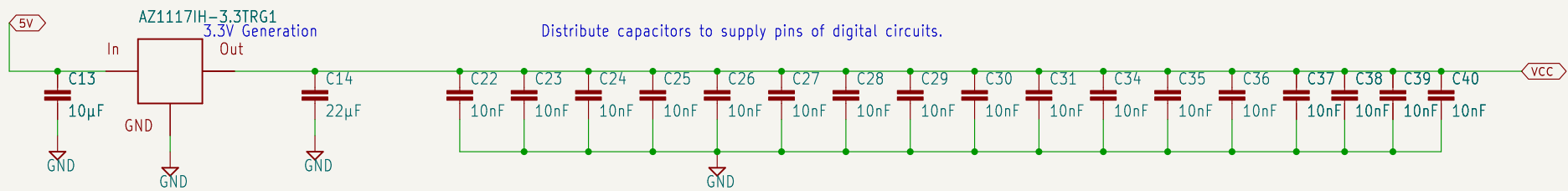
Size: A4 Date:

KiCad E.D.A. 9.0.0

Rev:

Id: 3/6





Sheet: /Power Supply/
 File: Power_Supply.kicad_sch

Title:

Size: A4 Date:

KiCad E.D.A. 9.0.0

Rev:

Id: 5/6