

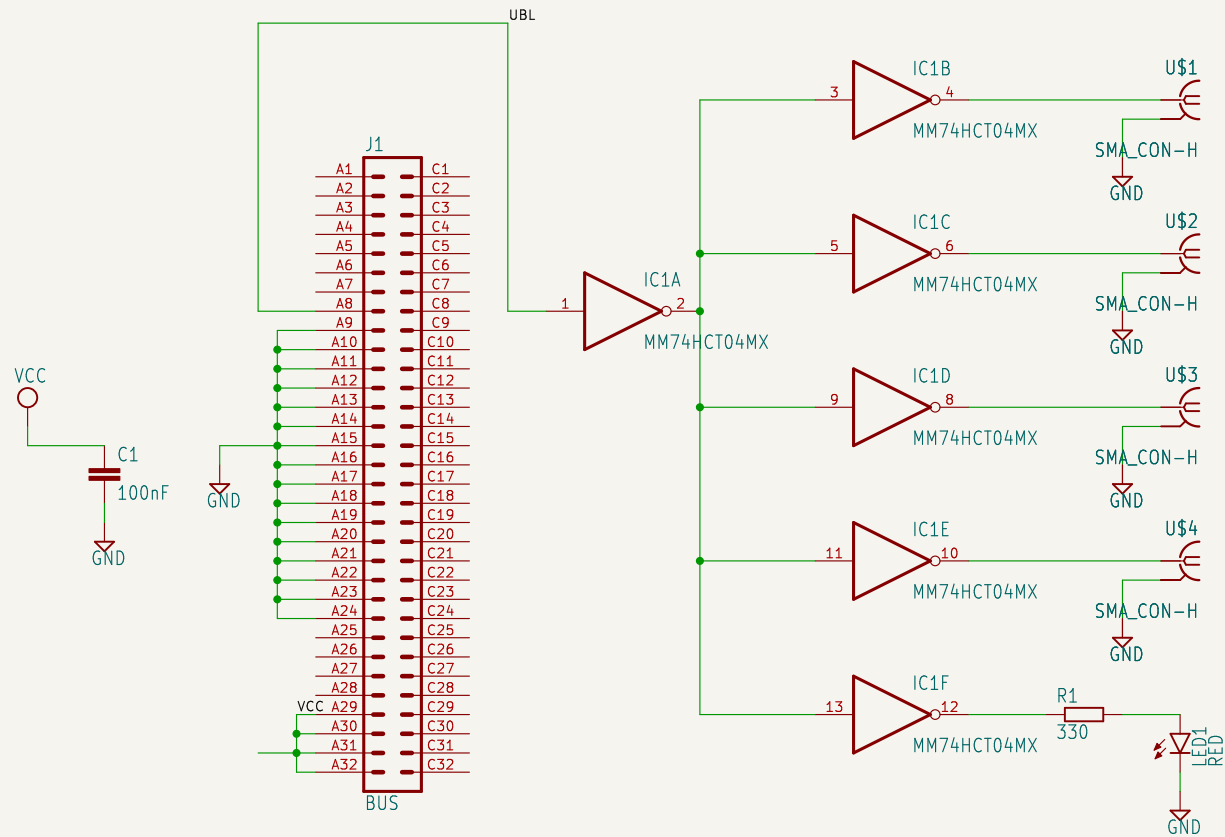
TR_UBL_Splitter_V1p1_1

File: TR_UBL_Splitter_V1p1_1.kicad_sch

TR_UBL_Splitter_V1p1_2

File: TR_UBL_Splitter_V1p1_2.kicad_sch

Sheet: /		
File: TR_UBL_Splitter_V1p1.kicad_sch		
Title:		
Size: A4	Date:	Rev:
KiCad E.D.A. 9.0.0		Id: 1/3



Sheet: /TR_UBL_Splitter_V1p1_1/
 File: TR_UBL_Splitter_V1p1_1.kicad_sch

Title:

Size: A4

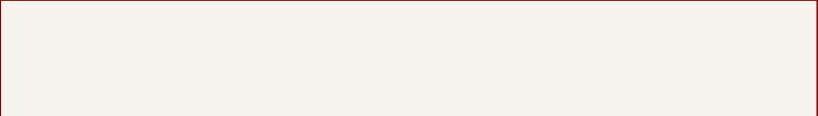
Date:

Rev:

KiCad E.D.A. 9.0.0

Id: 1/3

	1	2	3	4	5	6
A						A
B						B
C						C
D						D
	1	2	3	4	5	6



Sheet: /TR_UBL_Splitter_V1p1_2/		Date:	
File: TR_UBL_Splitter_V1p1_2.kicad_sch		Rev:	
Size: A4	KiCad E.D.A. 9.0.0		Id: 2/3