

Main Circuitry

File: Main_Circuitry.kicad_sch

Status Lights

File: Status_Lights.kicad_sch

3.3V Power Supply

File: 3.3V_Power_Supply.kicad_sch

Sheet: /
File: Timing_Control_V1p1.kicad_sch

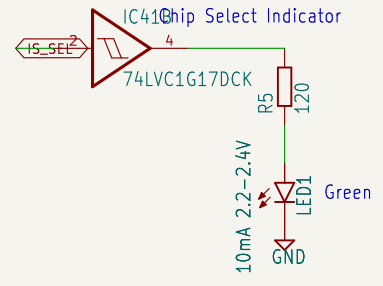
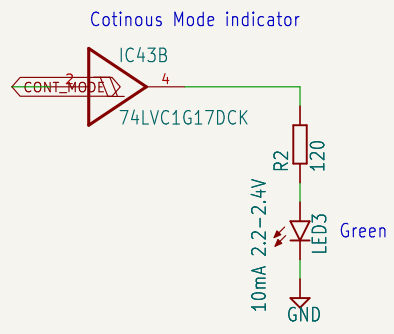
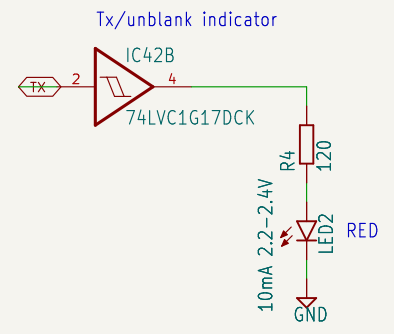
Title:

Size: A4
KiCad E.D.A. 9.0.0

Date:

Rev:
Id: 1/4

VCC



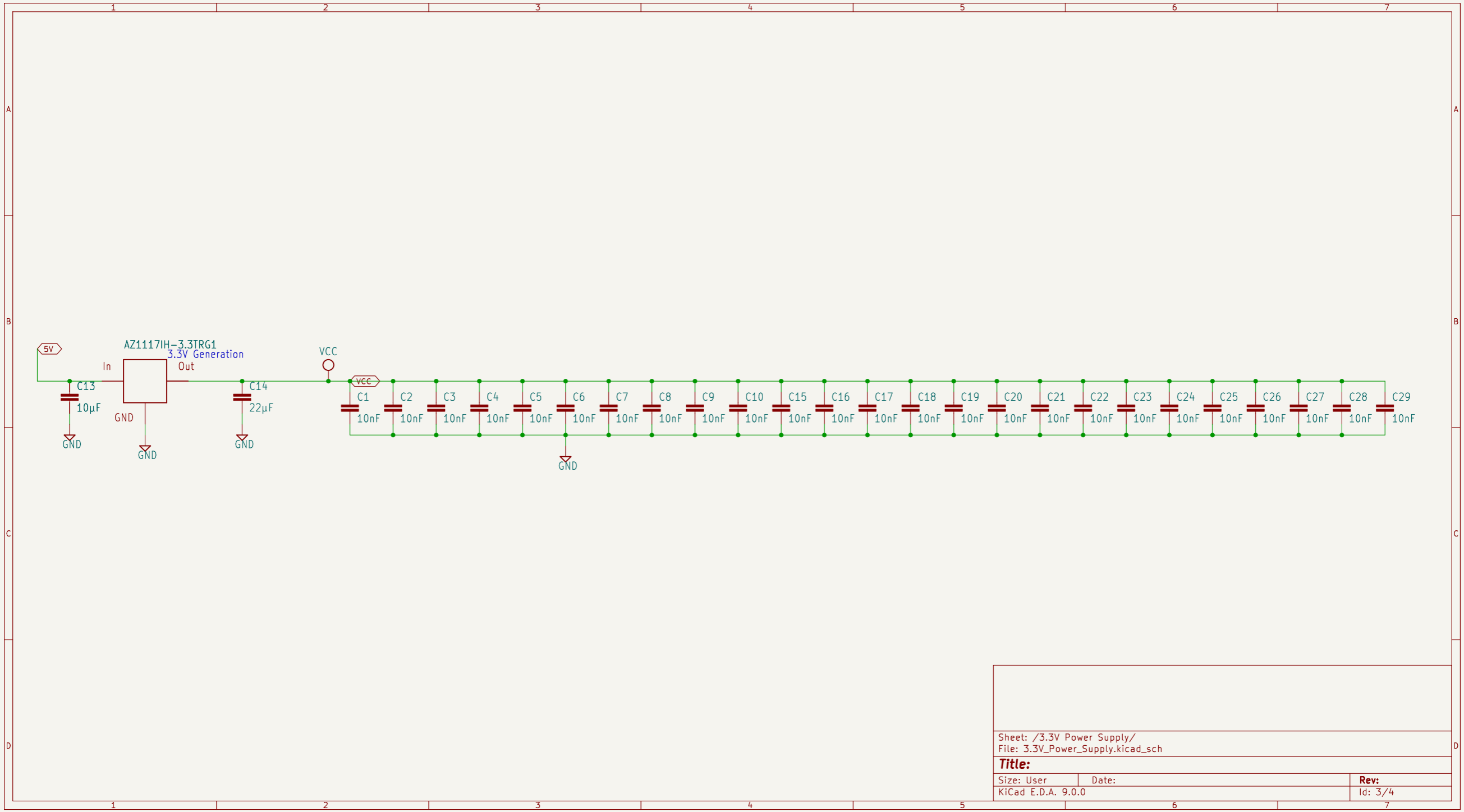
Sheet: /Status Lights/
File: Status_Lights.kicad_sch

Title:

Size: A4
KiCad E.D.A. 9.0.0

Date:

Rev:
Id: 2/4



Sheet: /3.3V Power Supply/		
File: 3.3V_Power_Supply.kicad_sch		
Title:		
Size: User	Date:	Rev:
KiCad E.D.A. 9.0.0		Id: 3/4