

1 2 3 4 5 6 7 8

A

B

C

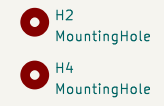
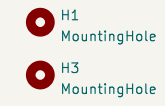
D

E

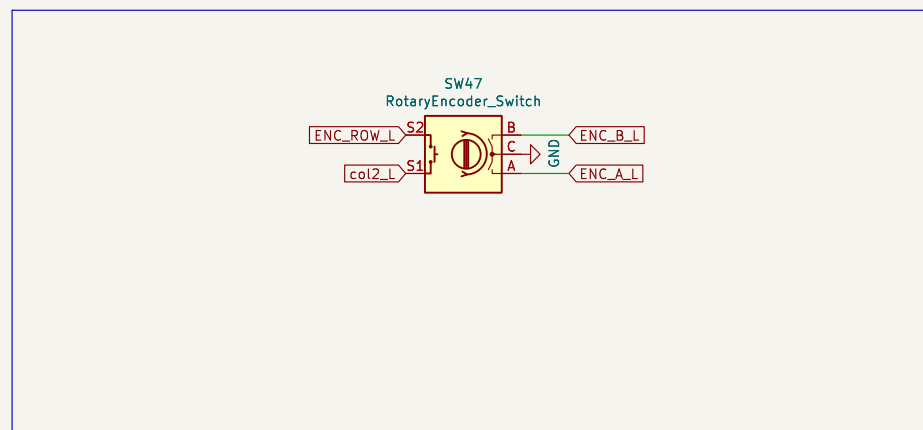
F

G

H



Rotary encoders



Sheet: /		
File: ximi-plates-pointing-device-switchplate.kicad_sch		
<b>Title:</b>		
Size: User	Date:	<b>Rev:</b>
KiCad E.D.A. 9.0.0		Id: 1/1

1 2 3 4 5 6 7 8