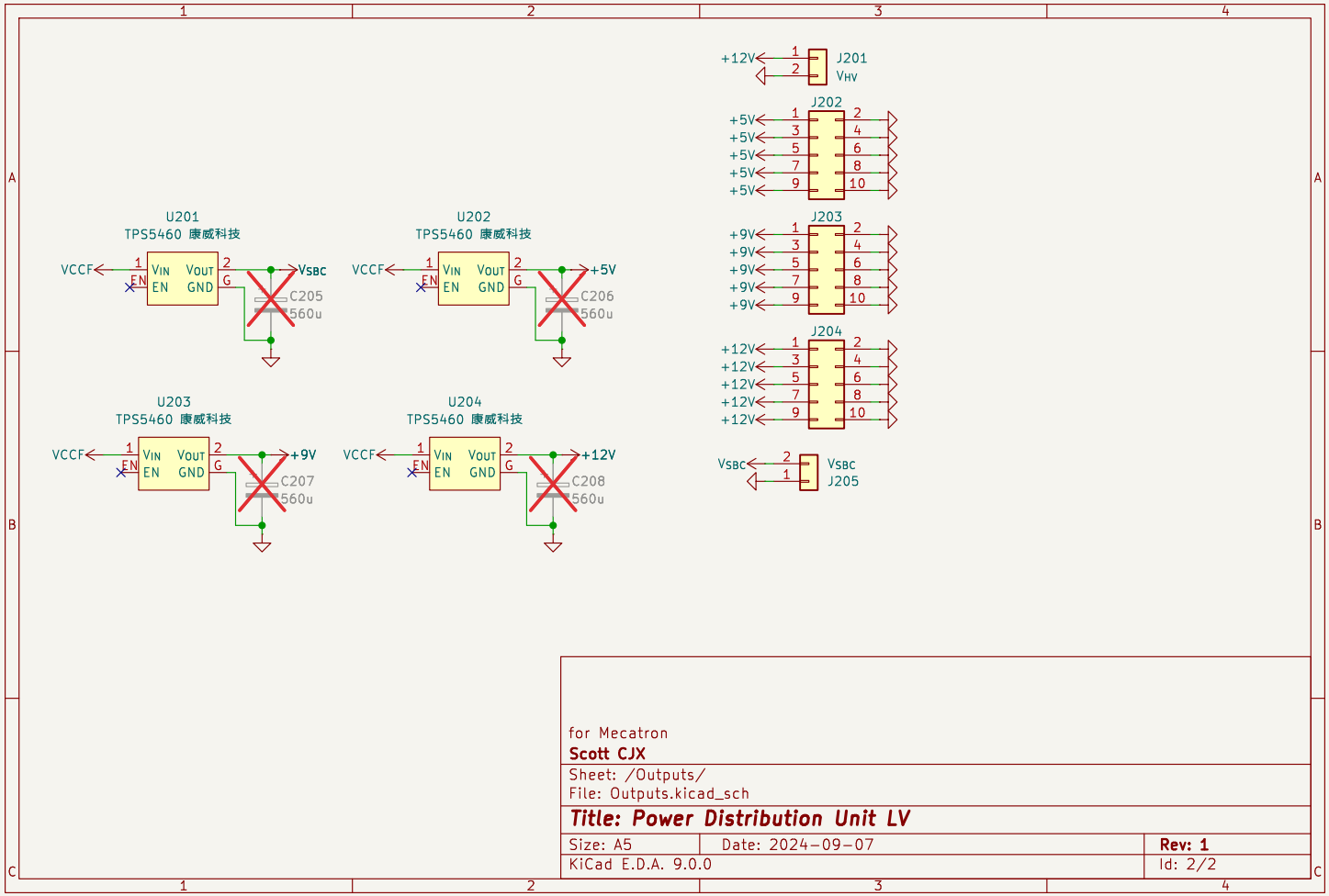


Outputs

File: Outputs.kicad\_sch

for Mecatron	
<b>Scott CJX</b>	
Sheet: /	
File: MecatronPDU-HV.kicad_sch	
<b>Title: Power Distribution Unit HV</b>	
Size: A5	Date: 2024-09-06
KiCad E.D.A. 9.0.0	<b>Rev: 1</b> Id: 1/2



for Mecatron	
Scott CJX	
Sheet: /Outputs/	
File: Outputs.kicad_sch	
<b>Title: Power Distribution Unit LV</b>	
Size: A5	Date: 2024-09-07
KiCad E.D.A. 9.0.0	Rev: 1
	Id: 2/2