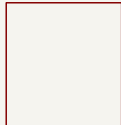
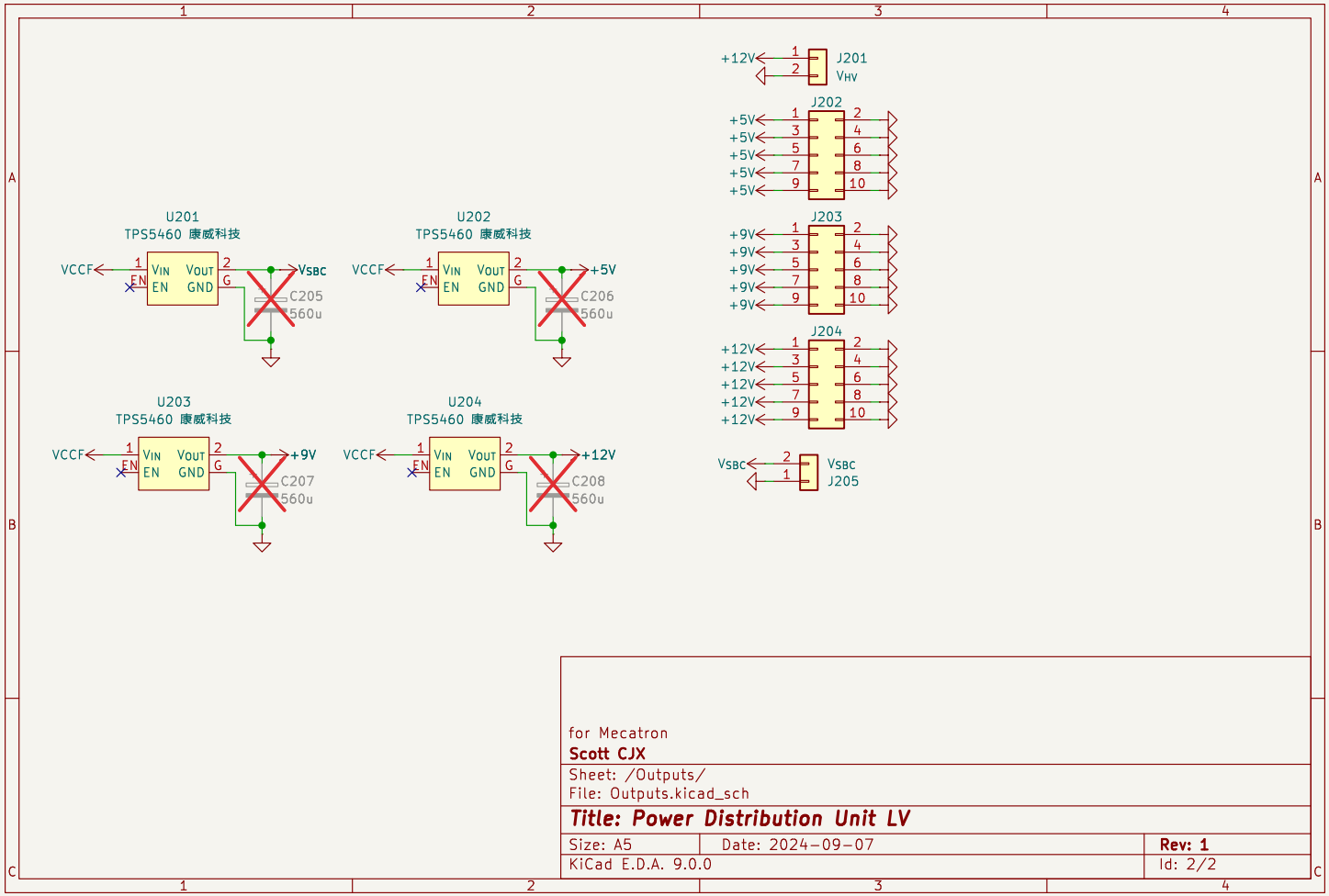


Outputs



File: Outputs.kicad_sch

for Mecatron	
Scott CJX	
Sheet: /	
File: MecatronPDU-LV.kicad_sch	
Title: Power Distribution Unit LV	
Size: A5	Date: 2024-09-07
KiCad E.D.A. 9.0.0	Rev: 1
	Id: 1/2



for Mecatron	
Scott CJX	
Sheet: /Outputs/	
File: Outputs.kicad_sch	
Title: Power Distribution Unit LV	
Size: A5	Date: 2024-09-07
KiCad E.D.A. 9.0.0	Rev: 1
	Id: 2/2