

PWR\_FLAG → +24V  
PWR\_FLAG → +5V  
PWR\_FLAG → +3V3  
PWR\_FLAG → GND

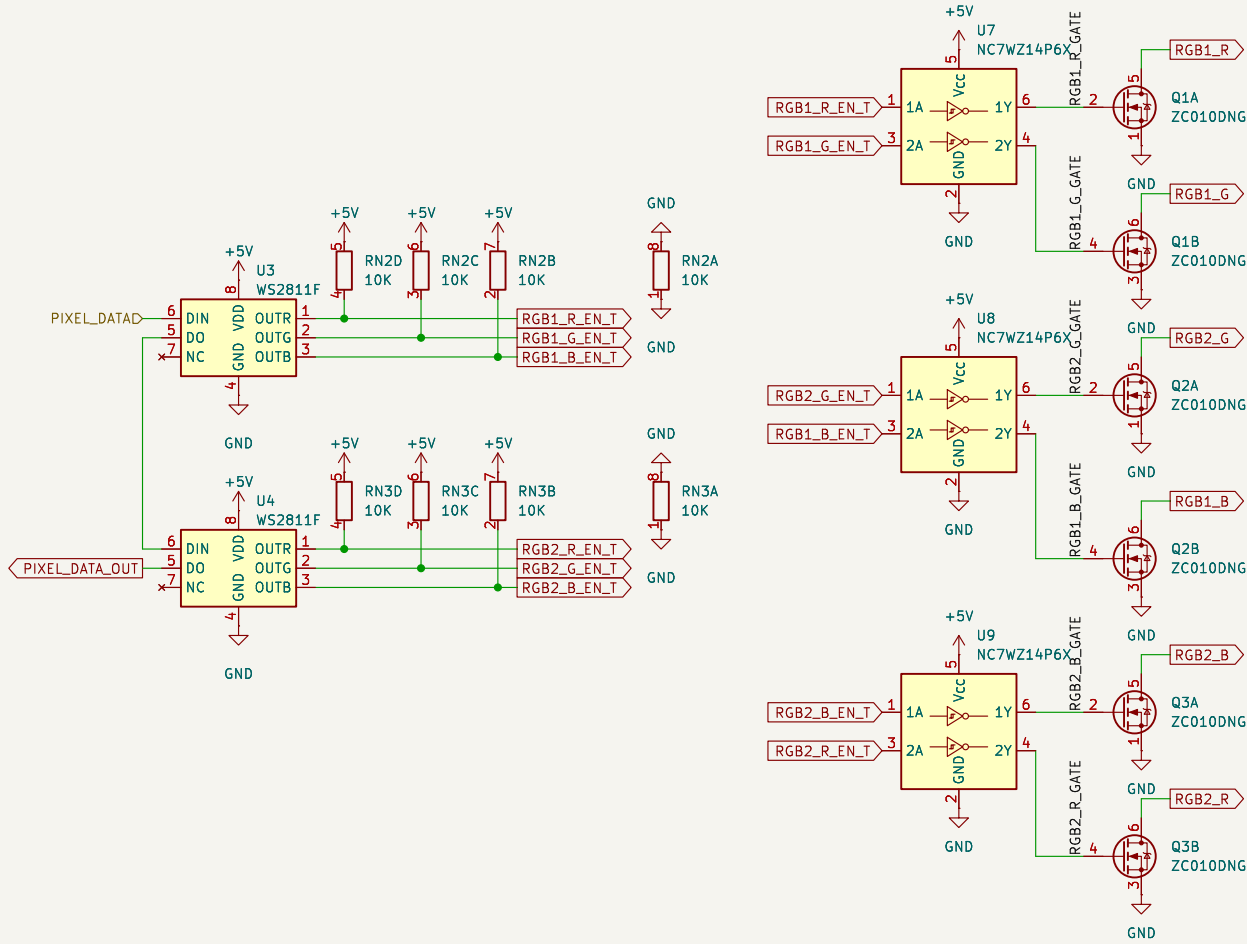
Sheet: /  
File: esp-rgb-driver.kicad\_sch

**Title: ESPHome 24v RGB LED strip driver**

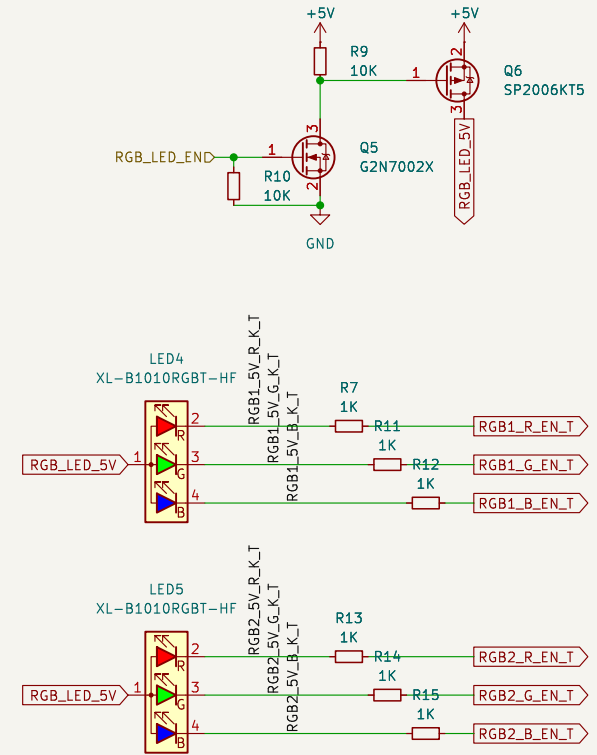
Size: A4	Date: 2025-03-18	Rev: v3
KiCad E.D.A. 9.0.0		Id: 1/2



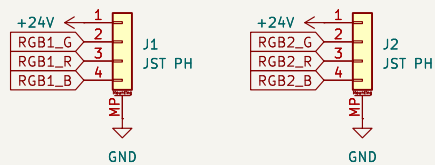
### 24V RGB LED drivers



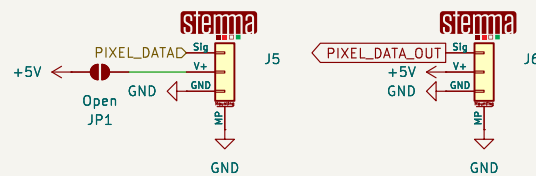
### RGB Indicator LEDs



### 24V LED connectors



### RGB data connectors



Sheet: /RGB/  
File: rgb.kicad\_sch

#### Title:

Size: A4  
KiCad E.D.A. 9.0.0

Date:

Rev:

Id: 2/2

