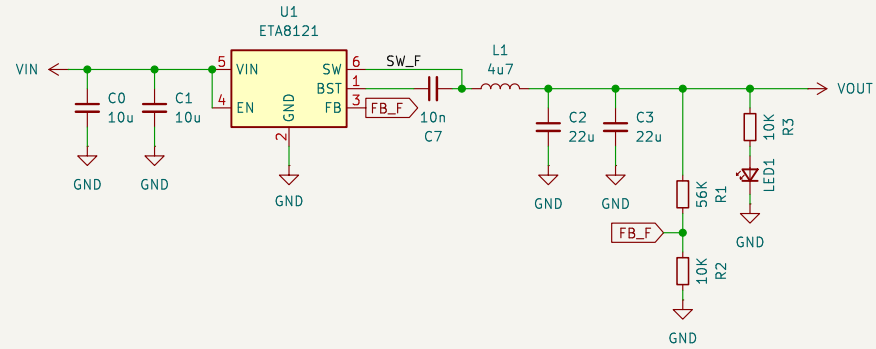
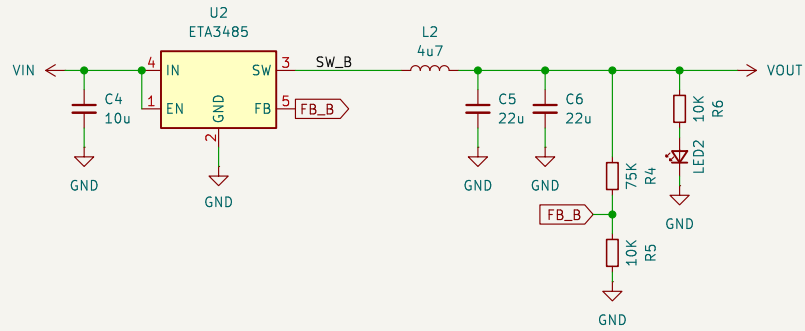


Buck converter (ETA8121, front)



Buck converter (ETA3485, back)



Pins and connectors



PWR_FLAG → VIN
 PWR_FLAG → VOUT
 PWR_FLAG → GND



Sheet: /
 File: eta-buck.kicad_sch

Title:

Size: A4 Date:

KiCad E.D.A. 9.0.0

Rev:

Id: 1/1