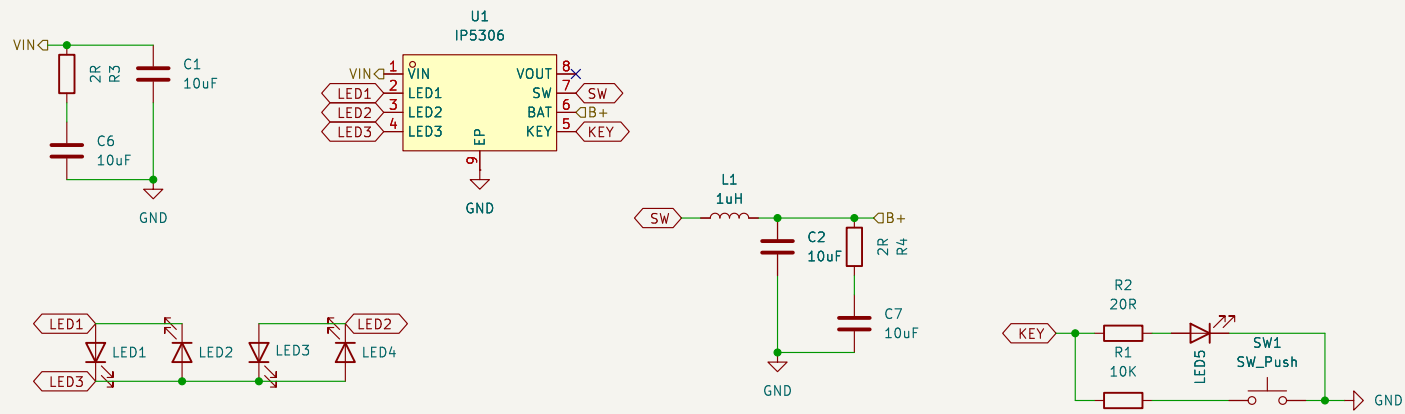
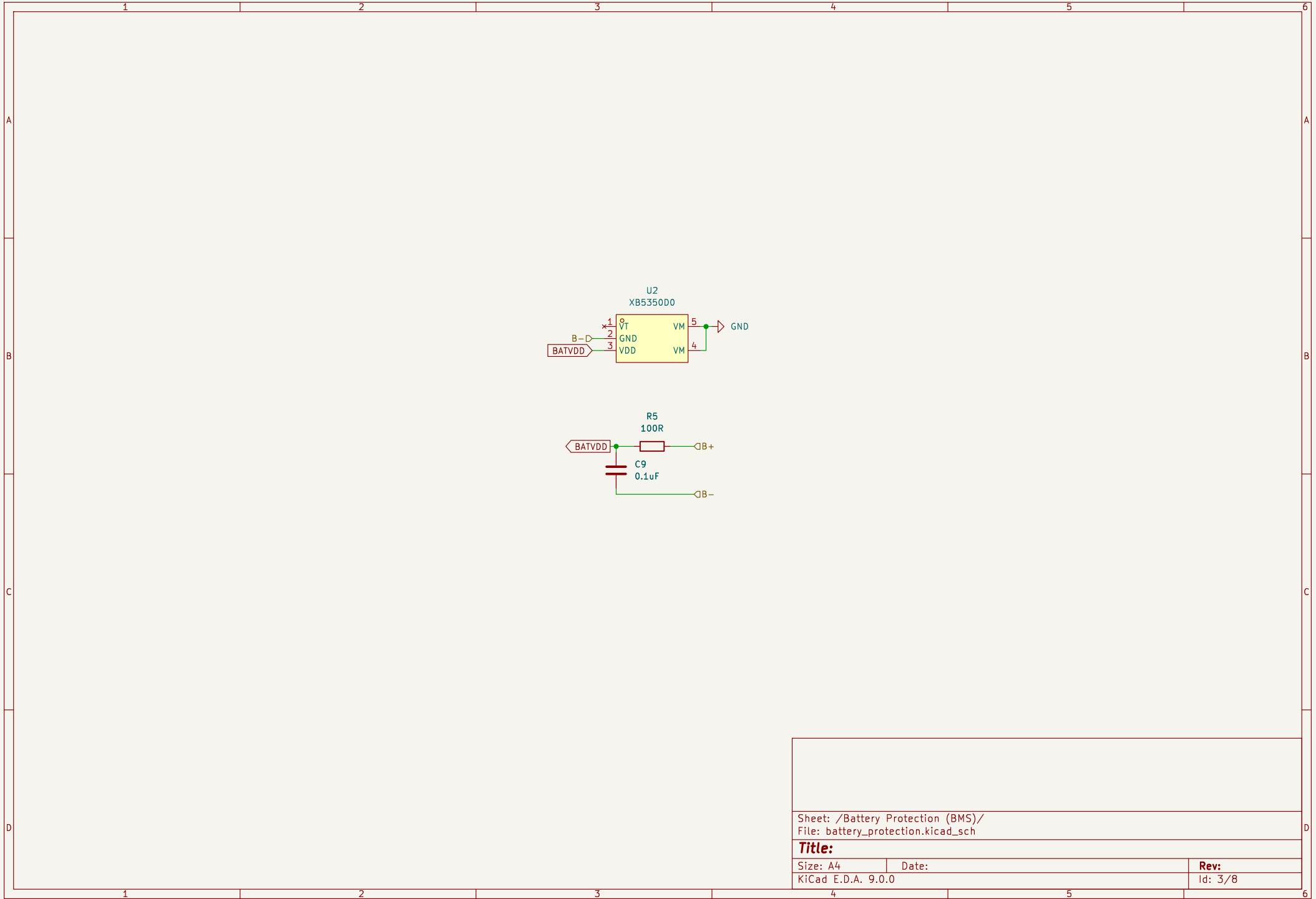


Sheet: /		File: ip5209-ups.kicad_sch	
<b>Title:</b>			
Size: A4	Date:	Rev:	
KiCad E.D.A. 9.0.0		Id: 1/8	

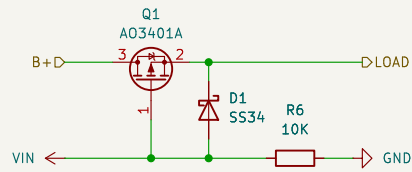


Sheet: /Battery Charger/  
 File: battery\_charger.kicad\_sch

<b>Title:</b>		<b>Rev:</b>
Size: A4	Date:	Id: 2/8
KiCad E.D.A. 9.0.0		



Sheet: /Battery Protection (BMS)/		
File: battery_protection.kicad_sch		
<b>Title:</b>		
Size: A4	Date:	<b>Rev:</b>
KiCad E.D.A. 9.0.0		Id: 3/8



Sheet: /Load Sharing Circuit/  
File: load\_sharing\_circuit.kicad\_sch

**Title:**

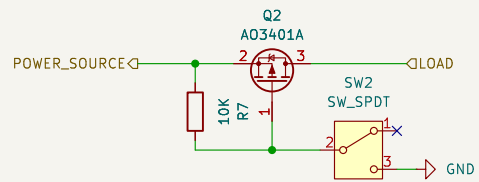
Size: A4

Date:

Rev:

KiCad E.D.A. 9.0.0

Id: 4/8



Sheet: /Load Power Switch/  
File: load\_power\_switch.kicad\_sch

**Title:**

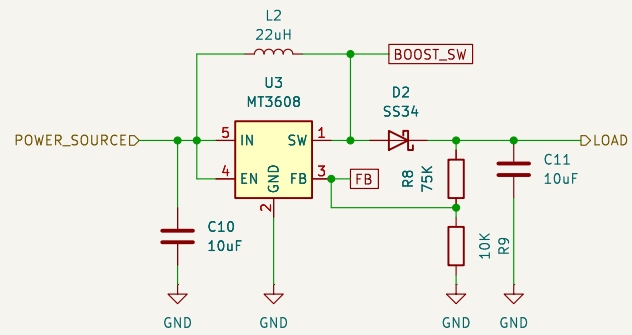
Size: A4

Date:

Rev:

KiCad E.D.A. 9.0.0

Id: 5/8



Sheet: /Boost Converter/  
 File: boost\_converter.kicad\_sch

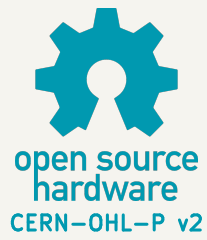
**Title:**

Size: A4  
 KiCad E.D.A. 9.0.0

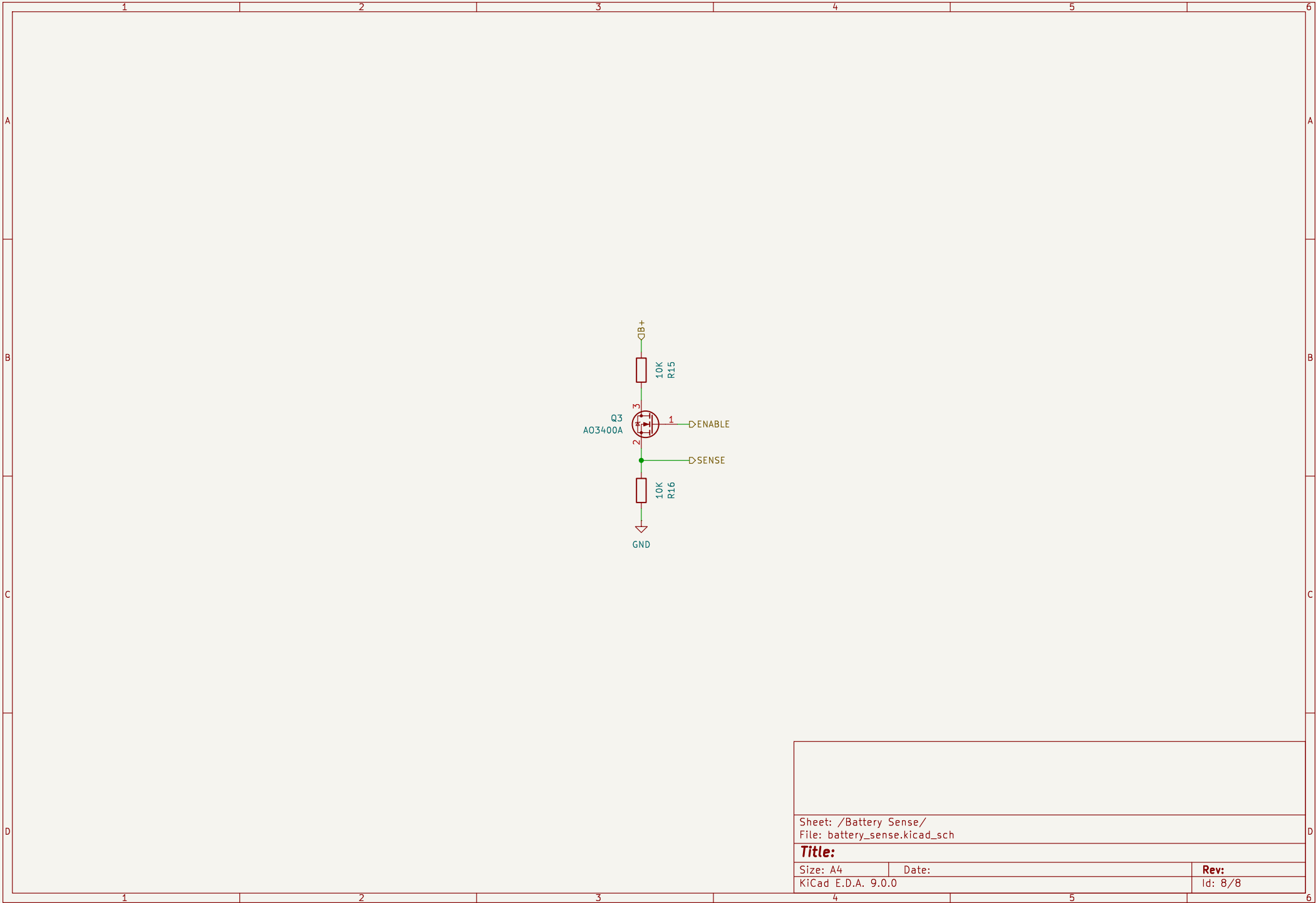
Date:

Rev:  
 Id: 6/8

	1	2	3	4	5	6
A						
B						
C						
D						
	1	2	3	4	5	6



Sheet: /Pins and Connectors/ File: connectors.kicad_sch		
<b>Title:</b>		
Size: A4	Date:	<b>Rev:</b>
KiCad E.D.A. 9.0.0		Id: 7/8



Sheet: /Battery Sense/ File: battery_sense.kicad_sch		
<b>Title:</b>		
Size: A4	Date:	<b>Rev:</b>
KiCad E.D.A. 9.0.0		Id: 8/8