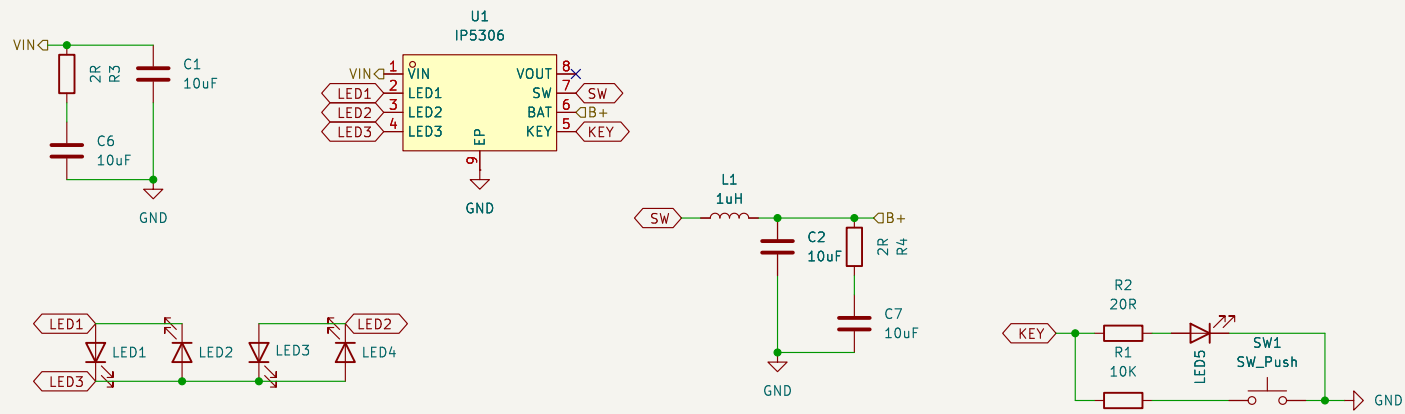


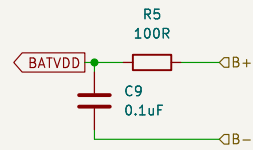
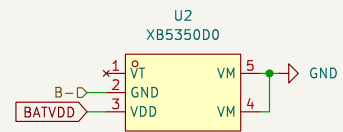
Sheet: /		File: ip5306-ups.kicad_sch	
Title:			
Size: A4	Date:	Rev:	
KiCad E.D.A. 9.0.0		Id: 1/8	



Sheet: /Battery Charger/
 File: battery_charger.kicad_sch

Title:

Size: A4	Date:	Rev:
KiCad E.D.A. 9.0.0		Id: 2/8



Sheet: /Battery Protection (BMS)/
File: battery_protection.kicad_sch

Title:

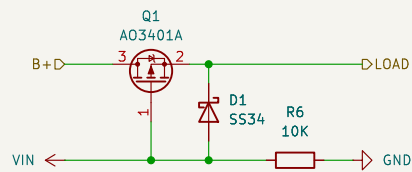
Size: A4

Date:

Rev:

KiCad E.D.A. 9.0.0

Id: 3/8



Sheet: /Load Sharing Circuit/
File: load_sharing_circuit.kicad_sch

Title:

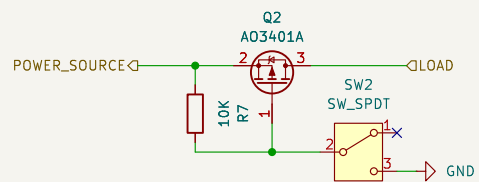
Size: A4

Date:

Rev:

KiCad E.D.A. 9.0.0

Id: 4/8



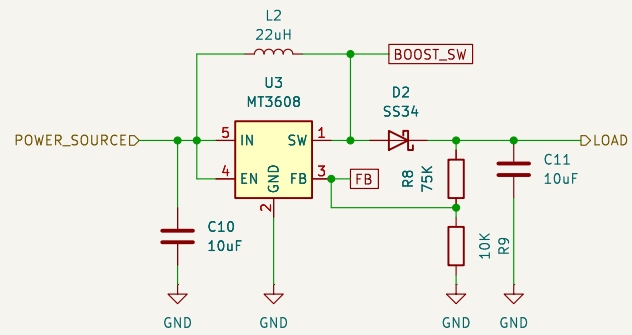
Sheet: /Load Power Switch/
File: load_power_switch.kicad_sch

Title:

Size: A4
KiCad E.D.A. 9.0.0

Date:

Rev:
Id: 5/8



Sheet: /Boost Converter/
 File: boost_converter.kicad_sch

Title:

Size: A4

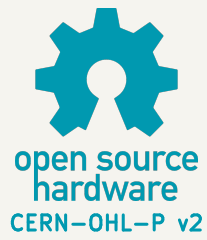
Date:

Rev:

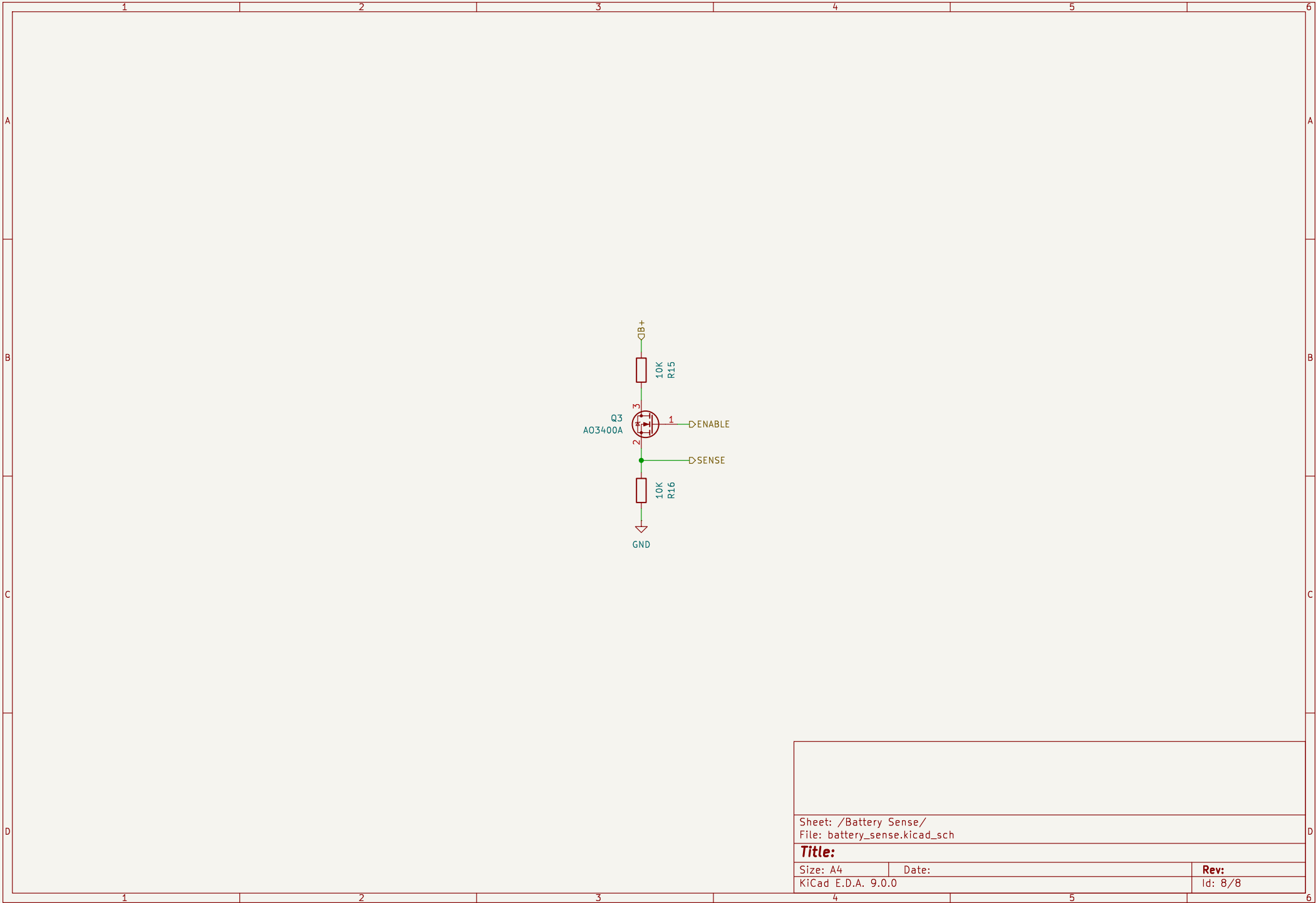
KiCad E.D.A. 9.0.0

Id: 6/8

	1	2	3	4	5	6
A						
B						
C						
D						
	1	2	3	4	5	6



Sheet: /Pins and Connectors/ File: connectors.kicad_sch		
Title:		
Size: A4	Date:	Rev:
KiCad E.D.A. 9.0.0		Id: 7/8



Sheet: /Battery Sense/
File: battery_sense.kicad_sch

Title:

Size: A4
KiCad E.D.A. 9.0.0

Date:

Rev:
Id: 8/8