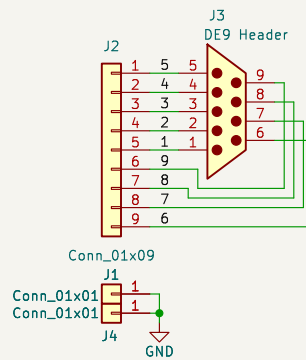


D-Sub Male Connector – DE9



Common Pinouts

RS232 + RS485 Pinout Female

Pin 1	Carrier Detect (CD)
Pin 2	Receive Data (RXD)
Pin 3	Transmit Data (TXD)
Pin 4	Data Terminal Ready (DTR)
Pin 5	Ground (GND)
Pin 6	Data Set Ready (DSR)
Pin 7	Request to Send (RTS)
Pin 8	Clear to Send (CTS)
Pin 9	Ring Indicator (RI)

CAN bus Pinout

Pin 1	NC
Pin 2	CAN-L
Pin 3	Ground (GND)
Pin 4	NC
Pin 5	Shield
Pin 6	NC
Pin 7	CAN-H
Pin 8	NC
Pin 9	Power



Designed by: Elias Santistevan

SparkFun Electronics

Sheet: /

File: SparkFun_DE9_Male_Breakout.kicad_sch

Title: SparkFun DE9 Breakout

Size: USLetter Date: 2025-10-21

KiCad E.D.A. 9.0.0

Rev: v11

Id: 1/1