

1

2

3

4

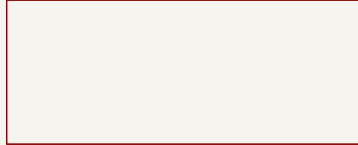
5

6

A

A

Swell-Great Pistons

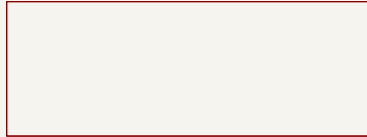


File: SwellGreatPistons.kicad_sch

B

B

Choir Pistons Sheet



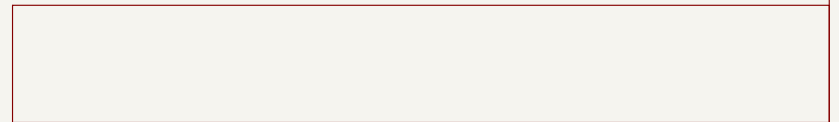
File: ChoirPistons.kicad_sch

C

C

D

D



Sheet: /
File: PistonWires.kicad_sch

Title:

Size: A4

Date:

Rev:

KiCad E.D.A. 9.0.0

Id: 1/3

1

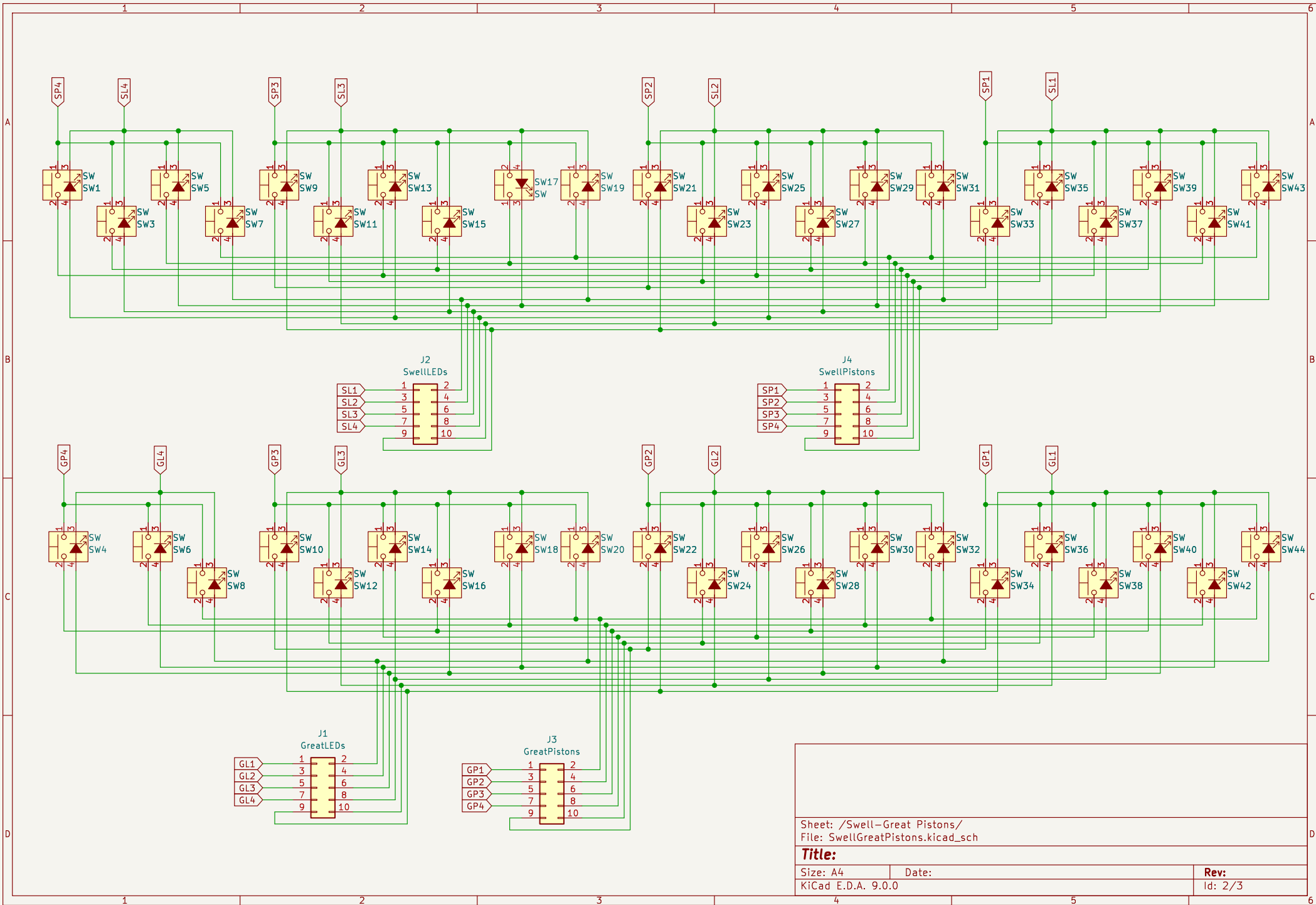
2

3

4

5

6



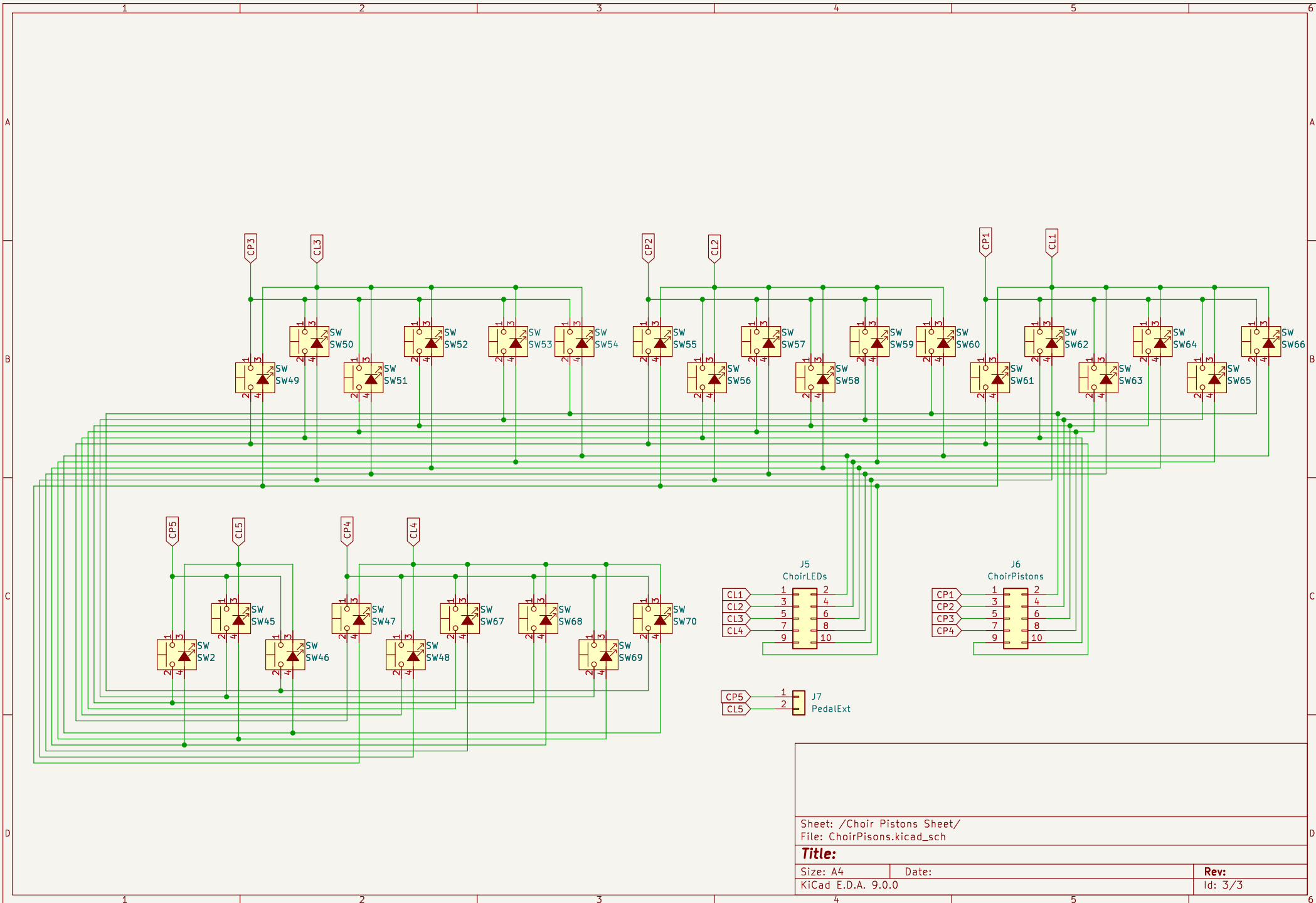
Sheet: /Swell-Great Pistons/
 File: SwellGreatPistons.kicad_sch

Title:

Size: A4
 KiCad E.D.A. 9.0.0

Date:

Rev:
 Id: 2/3



Sheet: /Choir Pistons Sheet/
 File: ChoirPistons.kicad_sch

Title:

Size: A4
 KiCad E.D.A. 9.0.0

Date:

Rev:
 Id: 3/3