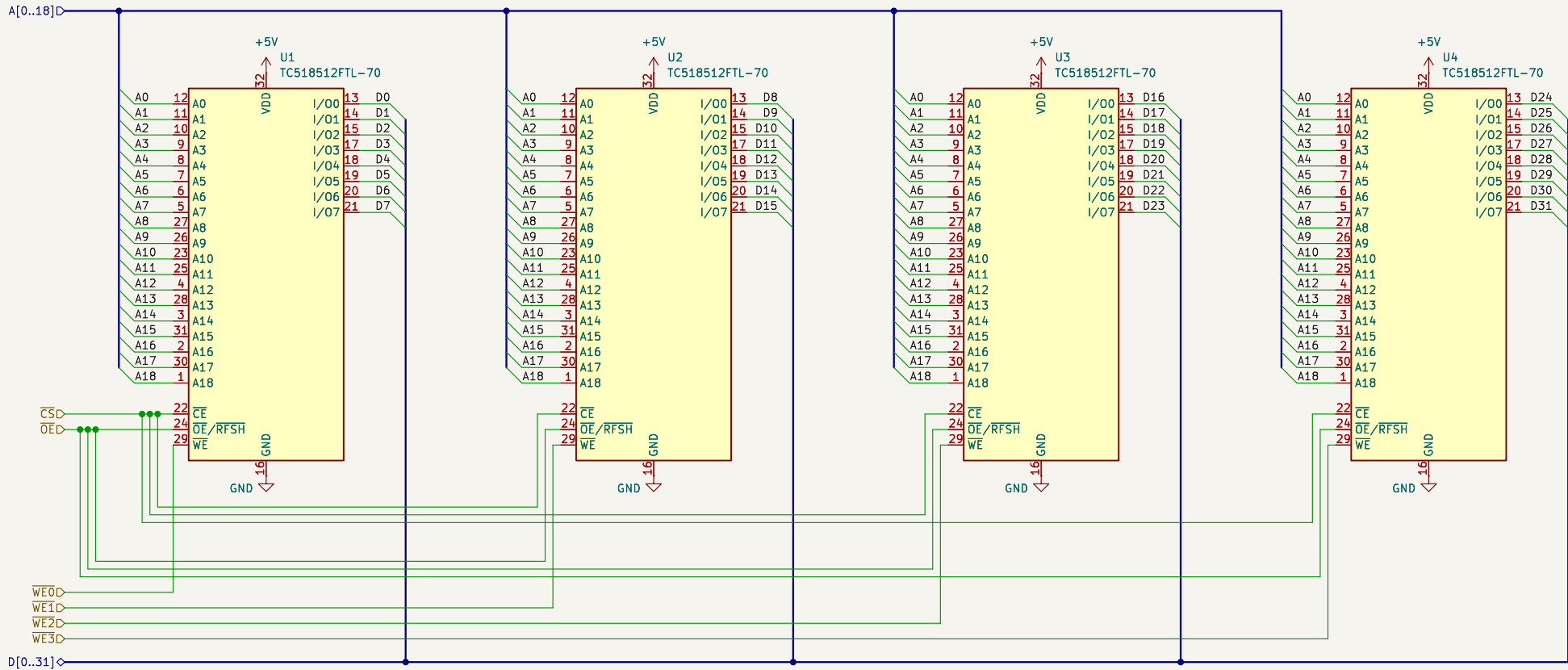
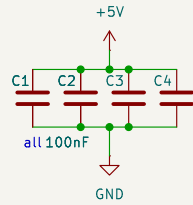


RAM Expansion Card for PowerBook 165c
 10MB PSRAM (5 banks of 4x512k chips)
 N.B. The existence of CS7 implies 12MB RAM is possible, but according to Apple, the maximum is 10MB. Perhaps a limitation somewhere else?
 by Sam (cyberslak@hachyderm.io)

Sheet: /
 File: RAMdemption.kicad_sch

Title: PowerBook 165c RAM Expansion

Size: A5	Date: 2025-04-13	Rev: 1
KiCad E.D.A. 9.0.0		Id: 1/6



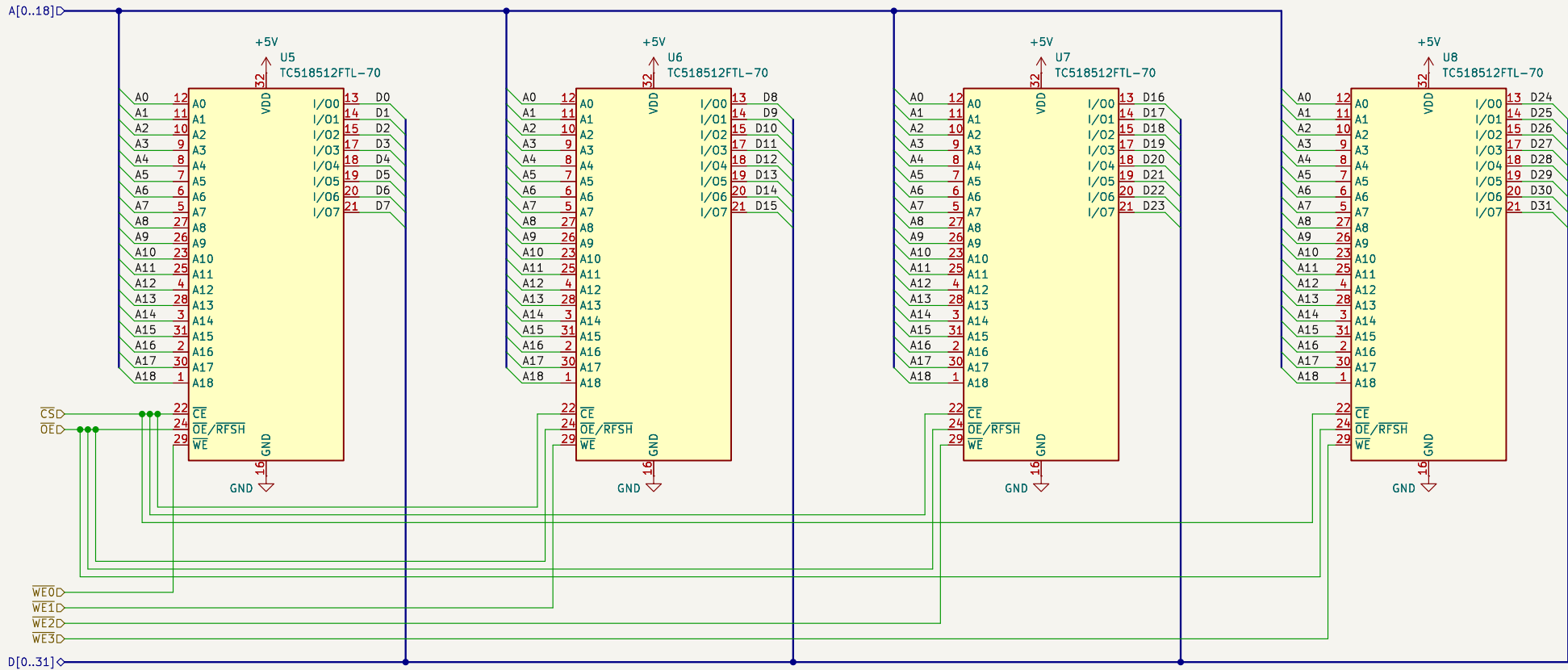
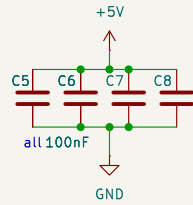
Single RAM bank
2MB, 32-bit bus, from 4 512kx8 chips

Sheet: /RAM Bank 1/
File: ram_bank_1.kicad_sch

Title: RAM Bank

Size: A4 Date: 2025-04-13
KiCad E.D.A. 9.0.0

Rev: 1
Id: 2/6



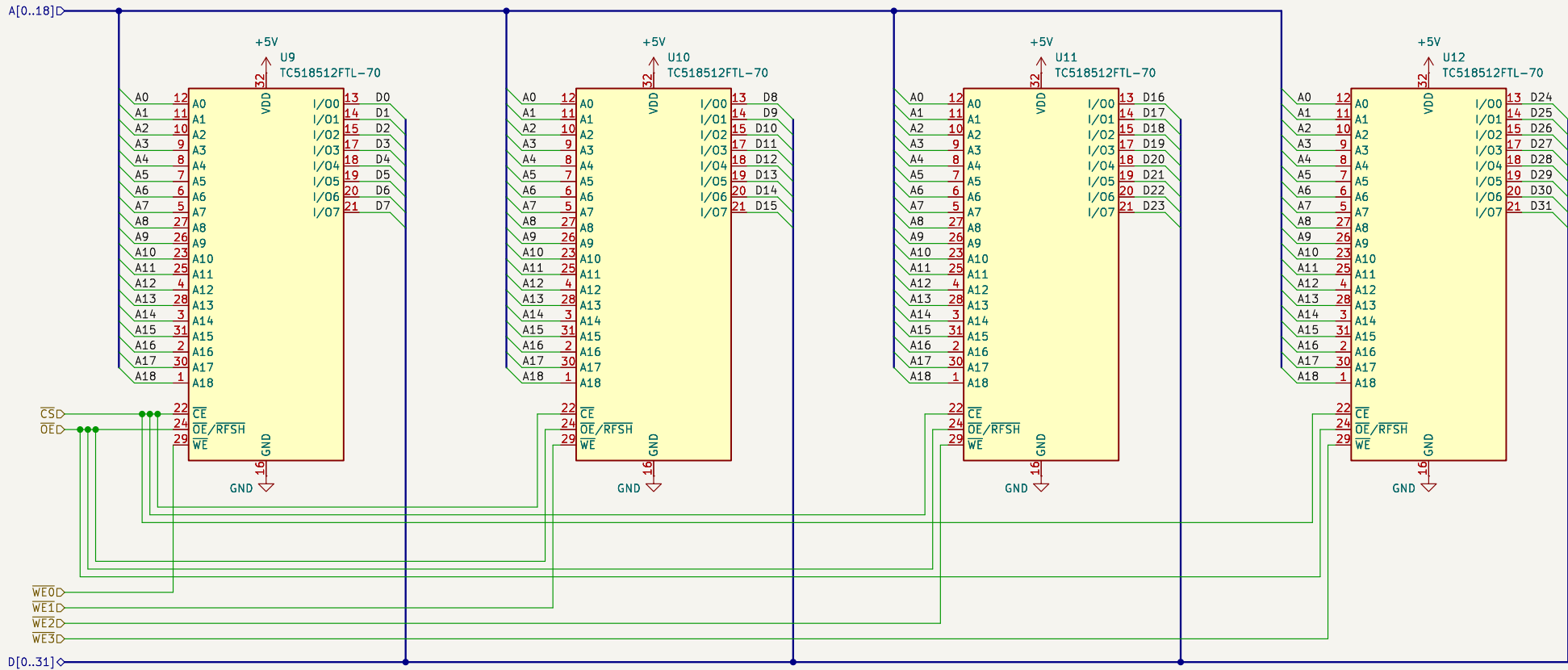
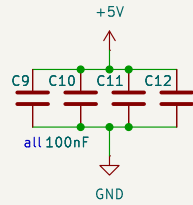
Single RAM bank
2MB, 32-bit bus, from 4 512kx8 chips

Sheet: /RAM Bank 2/
File: ram_bank_2.kicad_sch

Title: RAM Bank

Size: A4 Date: 2025-04-13
KiCad E.D.A. 9.0.0

Rev: 1
Id: 3/6



Single RAM bank
2MB, 32-bit bus, from 4 512kx8 chips

Sheet: /RAM Bank 3/
File: ram_bank_3.kicad_sch

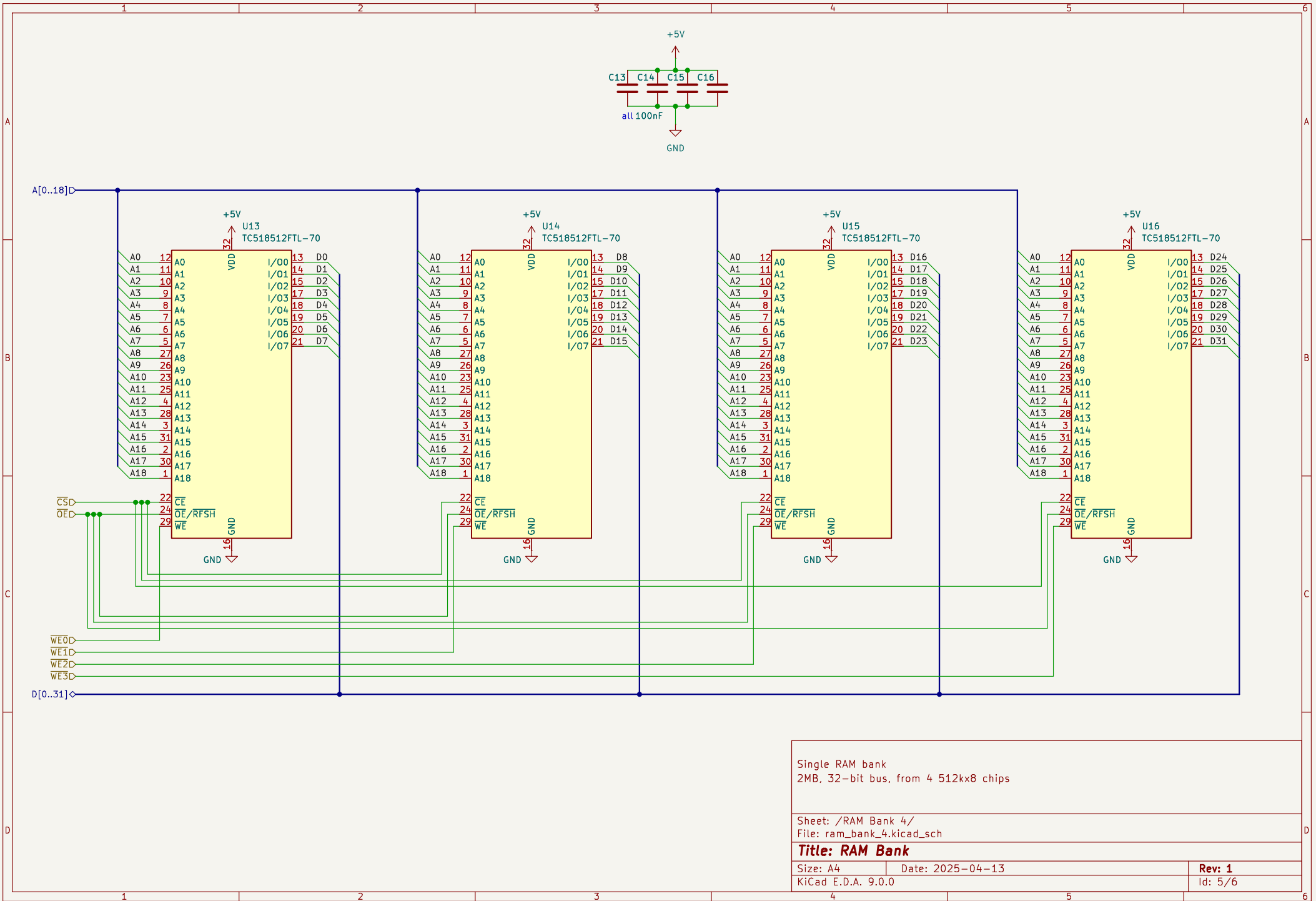
Title: RAM Bank

Size: A4 Date: 2025-04-13

KiCad E.D.A. 9.0.0

Rev: 1

Id: 4/6



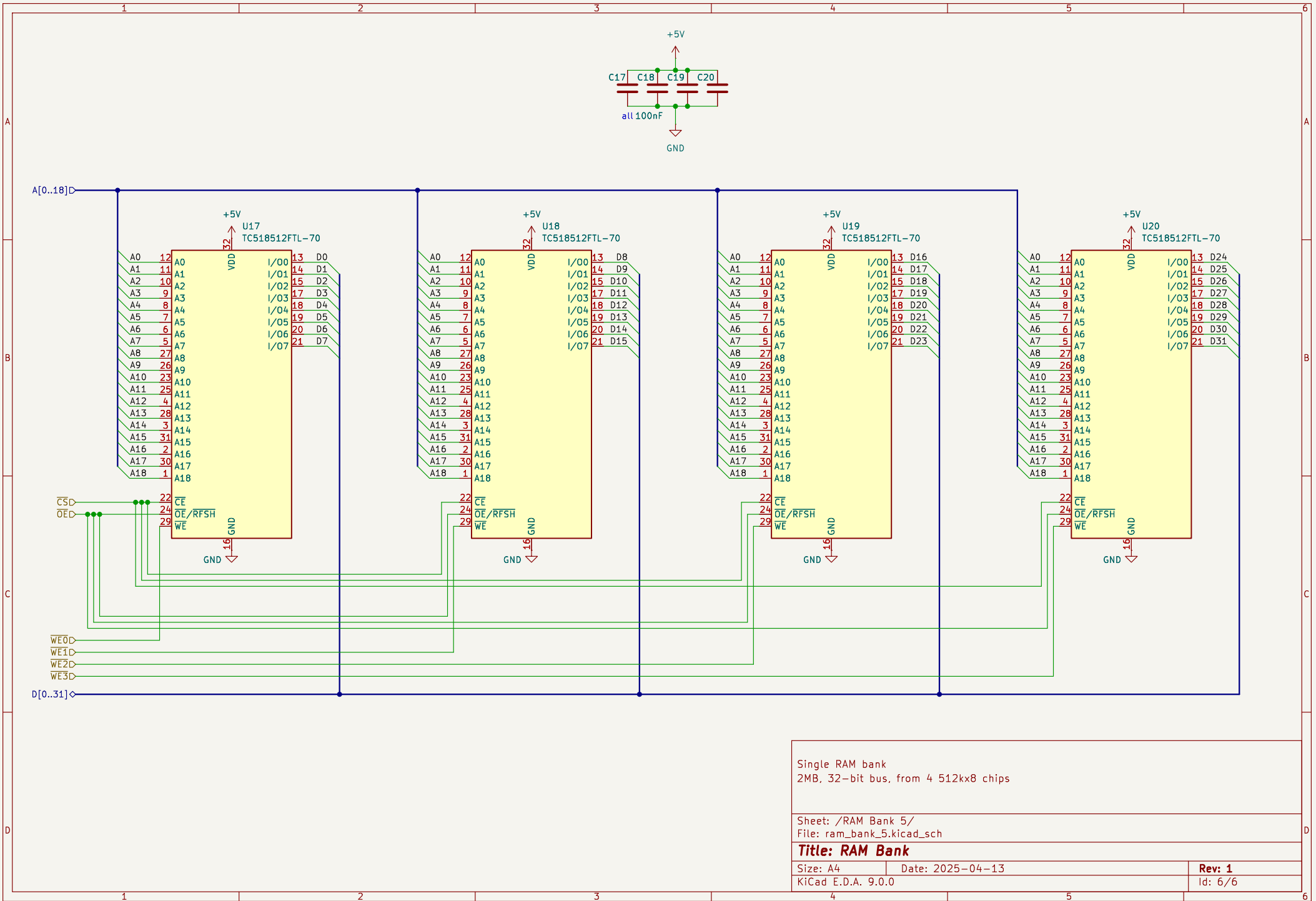
Single RAM bank
 2MB, 32-bit bus, from 4 512kx8 chips

Sheet: /RAM Bank 4/
 File: ram_bank_4.kicad_sch

Title: RAM Bank

Size: A4 | Date: 2025-04-13
 KiCad E.D.A. 9.0.0

Rev: 1
 Id: 5/6



Single RAM bank
2MB, 32-bit bus, from 4 512kx8 chips

Sheet: /RAM Bank 5/
File: ram_bank_5.kicad_sch

Title: RAM Bank

Size: A4 | Date: 2025-04-13
KiCad E.D.A. 9.0.0

Rev: 1
Id: 6/6