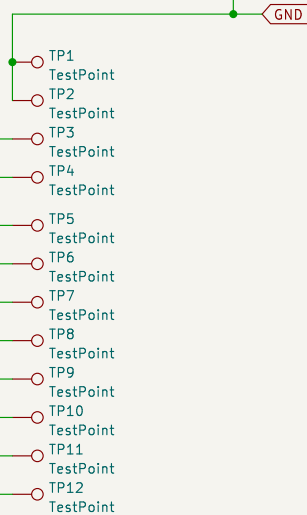
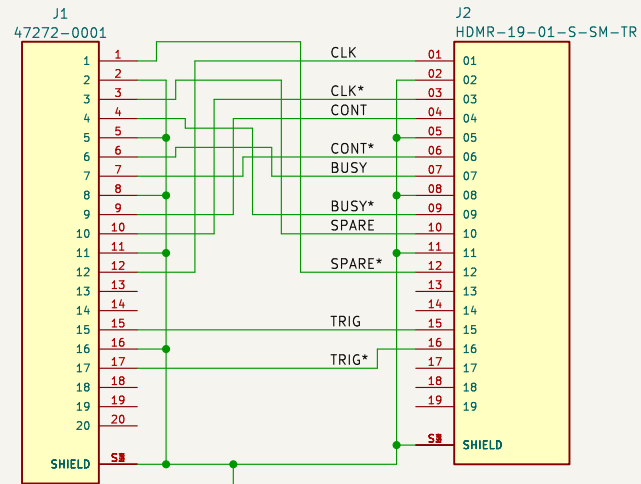


Source Side Plug			Cable Wiring		Sink Side Plug		
Ar SOURCE		Pin#		Ar SINK		Pin#	Signal Type
Signal Type				Signal Type			
Out	ML_Lane 0(p)	1		1	ML_Lane 3 (n)	In	
GND	GND	2		2	GND	GND	
Out	ML_Lane 0 (n)	3		3	ML_Lane 3 (p)	In	
Out	ML_Lane 1 (p)	4		4	ML_Lane 2 (n)	In	
GND	GND	5		5	GND	GND	
Out	ML_Lane 1 (n)	6		6	ML_Lane 2 (p)	In	
Out	ML_Lane 2 (p)	7		7	ML_Lane 1 (n)	In	
GND	GND	8		8	GND	GND	
Out	ML_Lane 2 (n)	9		9	ML_Lane 1 (p)	In	
Out	ML_Lane 3 (p)	10		10	ML_Lane 0 (n)	In	
GND	GND	11		11	GND	GND	
Out	ML_Lane 3 (n)	12		12	ML_Lane 0 (p)	In	
GND*	GND	13		13	GND	GND*	
GND*	GND	14		14	GND	GND*	
I/O	AUX_CH (p)	15		15	AUX_CH (p)	I/O	
GND	GND	16		16	GND	GND	
I/O	AUX_CH (n)	17		17	AUX_CH (n)	I/O	
In	Hot Plug Detect	18		18	Hot Plug Detect	Out	
	Return DP_PWR	19		19	Return DP_PWR		
	DP_PWR	20		20	DP_PWR		

Pinout for AIDA-Innova TLU
(remember Display port cable
is cross-over for lanes 0-3)

Displayport

HDMI



Pinout for AIDA-2020 TLU
on HDMI

Sheet: /
File: pc070_aida_hdmi_dp_single.kicad_sch

Title:

Size: A4
KiCad E.D.A. 9.0.0

Date:

Rev:
Id: 1/1