

Processor: See STM Application Note AN5419

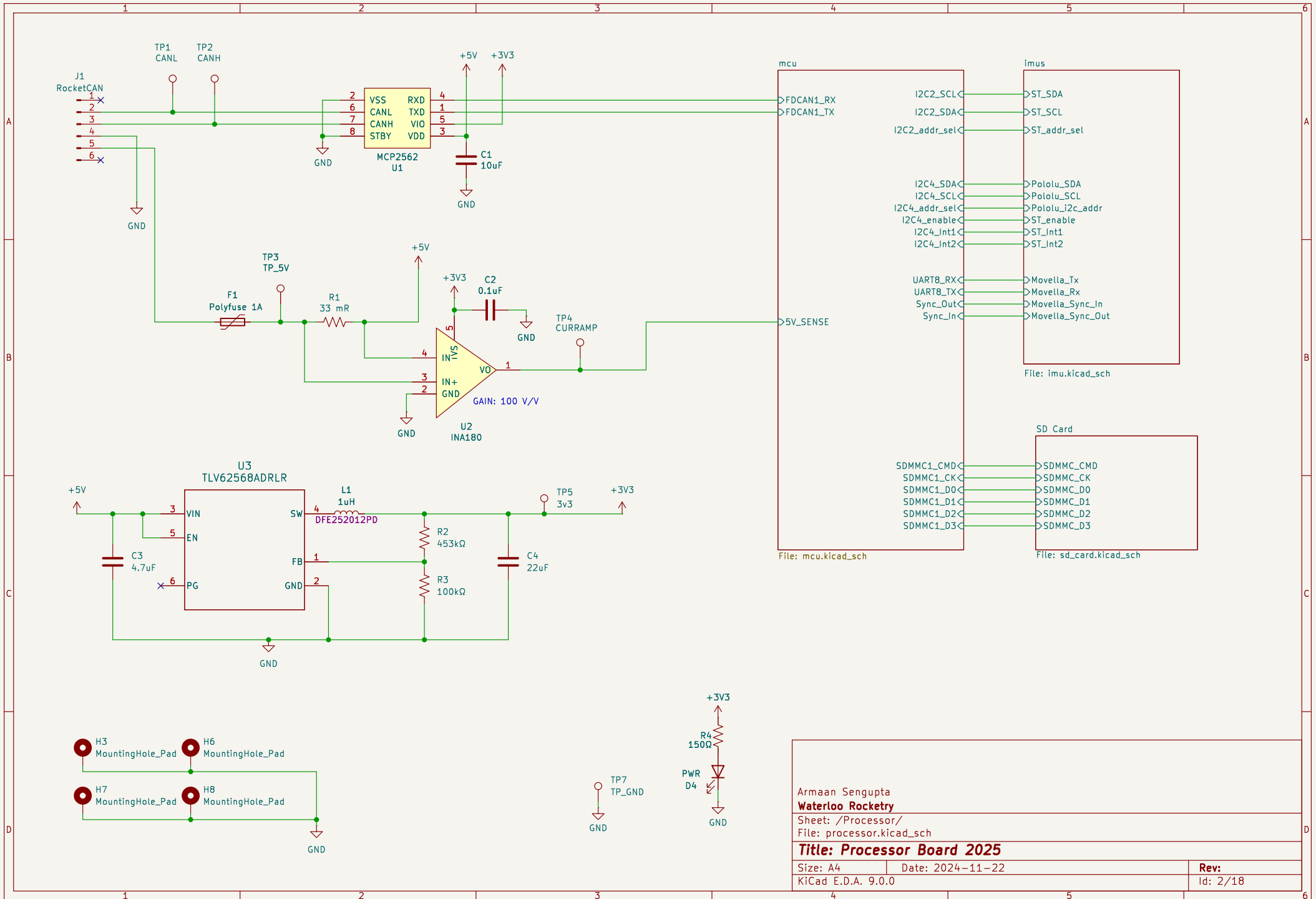
Waterloo Rocketry

Sheet: /
File: CanardBoard.kicad_sch

Title: Canard Board

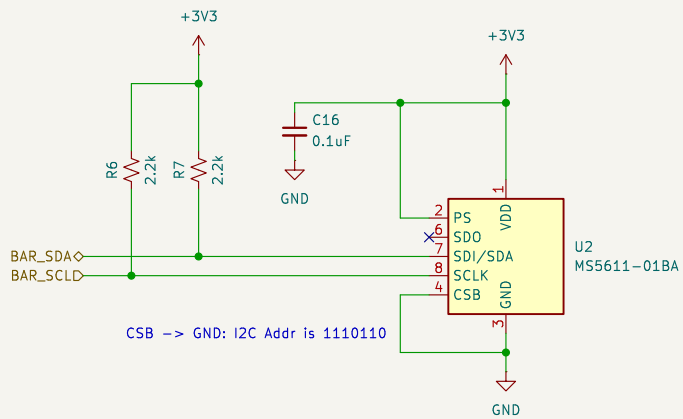
Size: A4 Date: 2026-03-19
KiCad E.D.A. 9.0.0

Rev: A
Id: 1/18



Armaan Sengupta
Waterloo Rocketry
 Sheet: /Processor/
 File: processor.kicad_sch
Title: Processor Board 2025

Size: A4	Date: 2024-11-22	Rev:
KiCad E.D.A. 9.0.0		Id: 2/18



Processor: See STM Application Note AN5419

Waterloo Rocketry

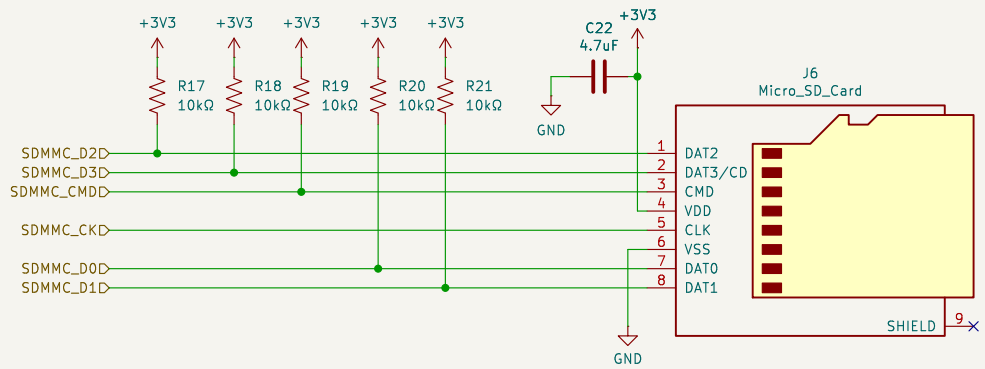
Sheet: /Barometer/
File: baro.kicad_sch

Title: Canard Board

Size: A4
KiCad E.D.A. 9.0.0

Date: 2026-03-19

Rev: A
Id: 3/18



Armaan Sengupta
Waterloo Rocketry

Sheet: /SD_Card/
 File: SD_Card.kicad_sch

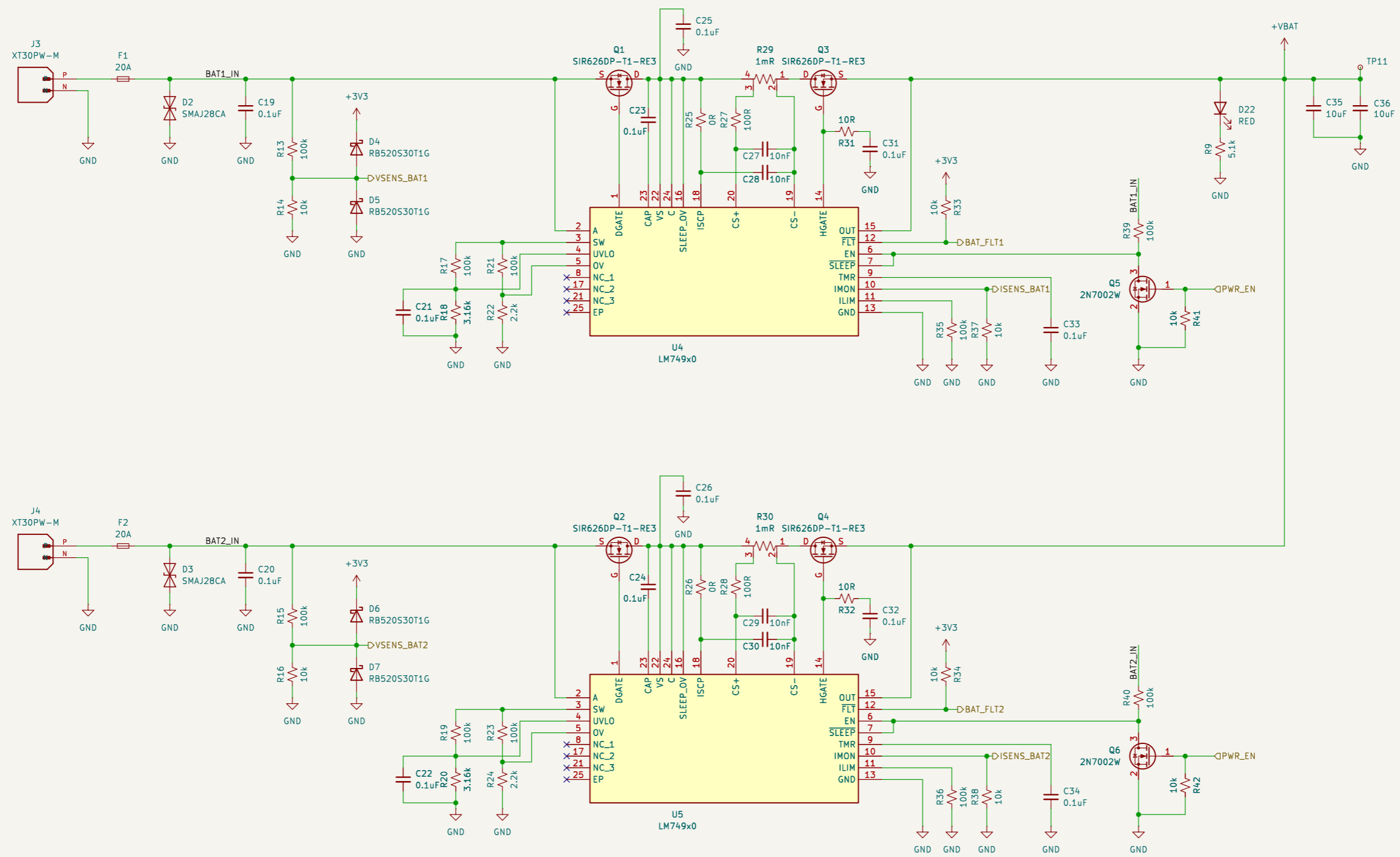
Title: Processor Board 2025

Size: A4 Date: 2024-11-22

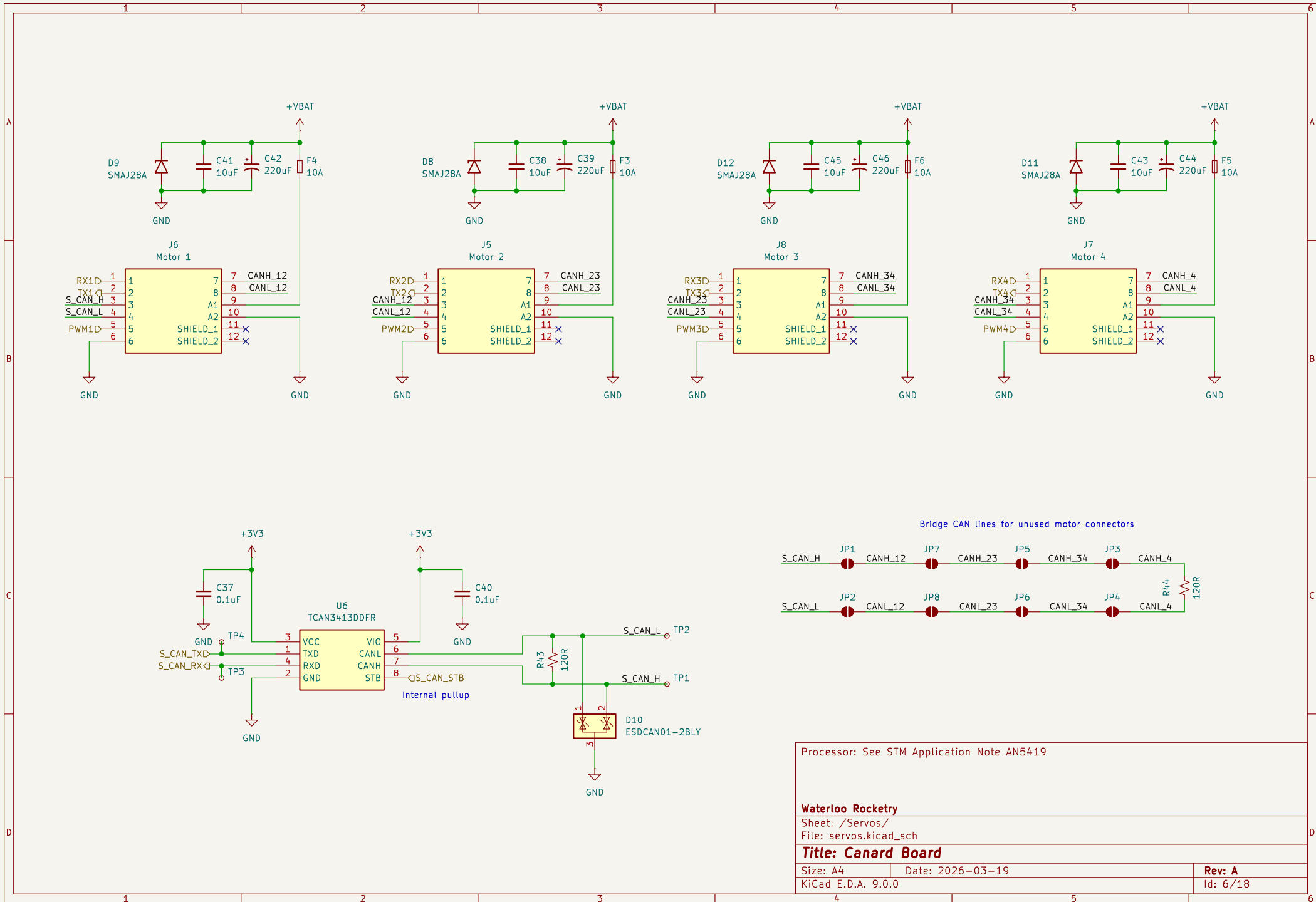
KiCad E.D.A. 9.0.0

Rev:

Id: 4/18



Processor: See STM Application Note AN5419		
Waterloo Rocketry		
Sheet: /Power Input/ File: pwr_in.kicad_sch		
Title: Canard Board		
Size: A3	Date: 2026-03-19	Rev: A
KiCad E.D.A. 9.0.0		Id: 5/18



Processor: See STM Application Note AN5419

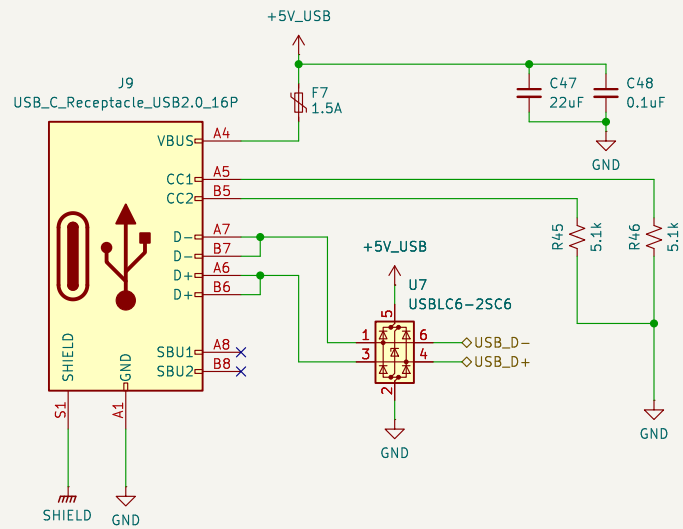
Waterloo Rocketry

Sheet: /Servos/
File: servos.kicad_sch

Title: Canard Board

Size: A4 | Date: 2026-03-19
KiCad E.D.A. 9.0.0

Rev: A
Id: 6/18



Sheet: /USB/
 File: USB.kicad_sch

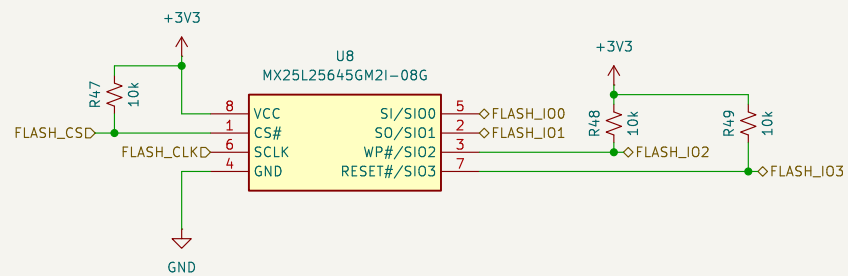
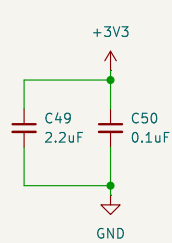
Title:

Size: A4 Date: 2026-03-19

KiCad E.D.A. 9.0.0

Rev: A

Id: 7/18



Sheet: /Flash/
File: flash.kicad_sch

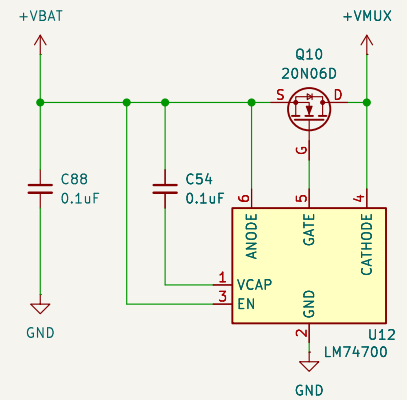
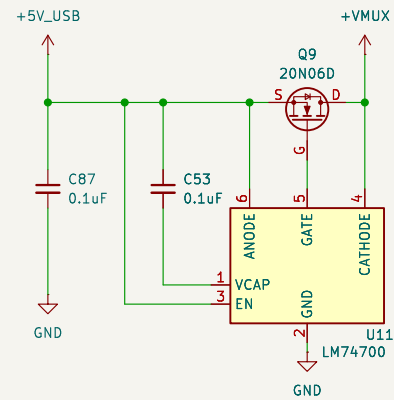
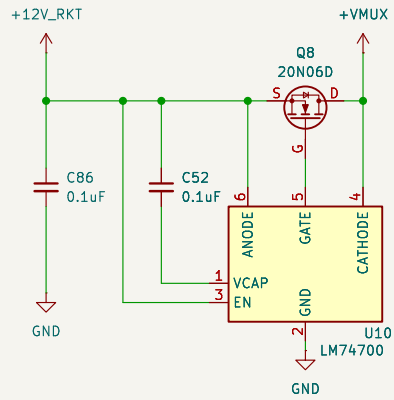
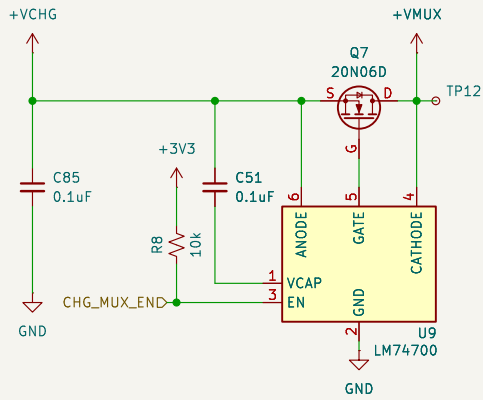
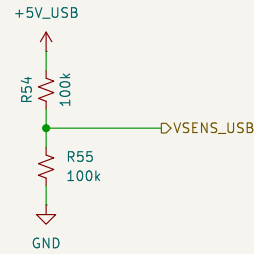
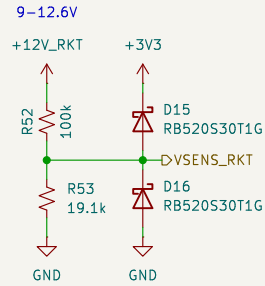
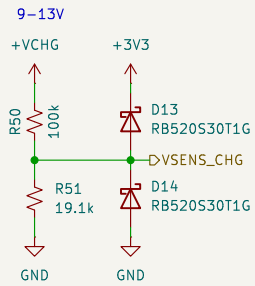
Title:

Size: A4 Date: 2026-03-19

KiCad E.D.A. 9.0.0

Rev: A

Id: 8/18



Sheet: /Power Muxing/
File: pwr_mux.kicad_sch

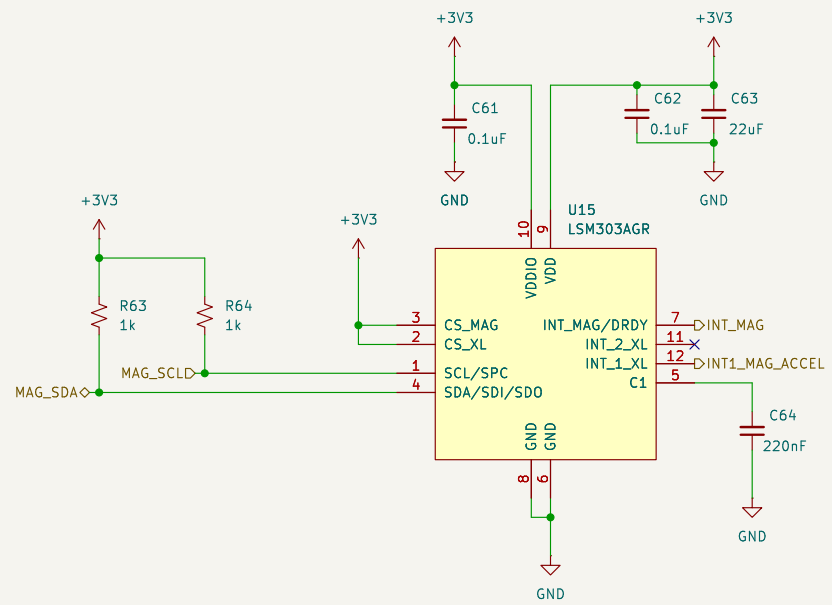
Title:

Size: A4 Date: 2026-03-19

KiCad E.D.A. 9.0.0

Rev: A

Id: 9/18



IIS2MDC also works, just doesn't have the accel

Sheet: /Magnetometer/
File: mag.kicad_sch

Title:

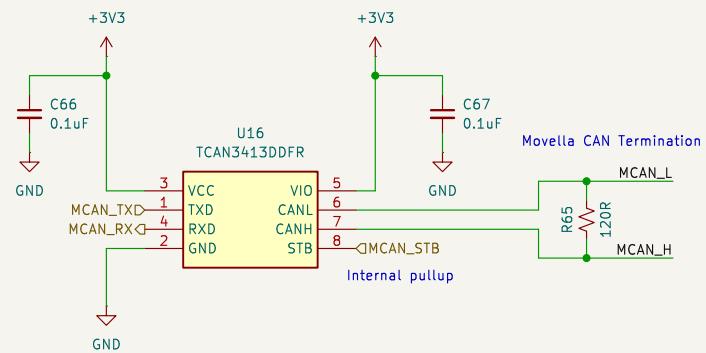
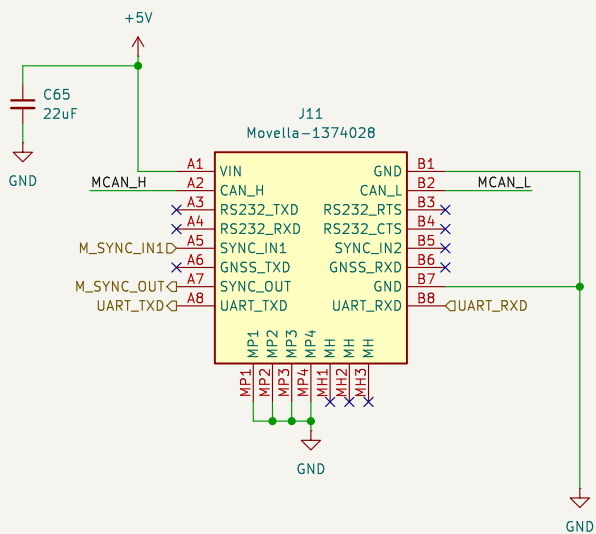
Size: A4

Date: 2026-03-19

Rev: A

KiCad E.D.A. 9.0.0

Id: 11/18



Sheet: /Movella/
File: movella.kicad_sch

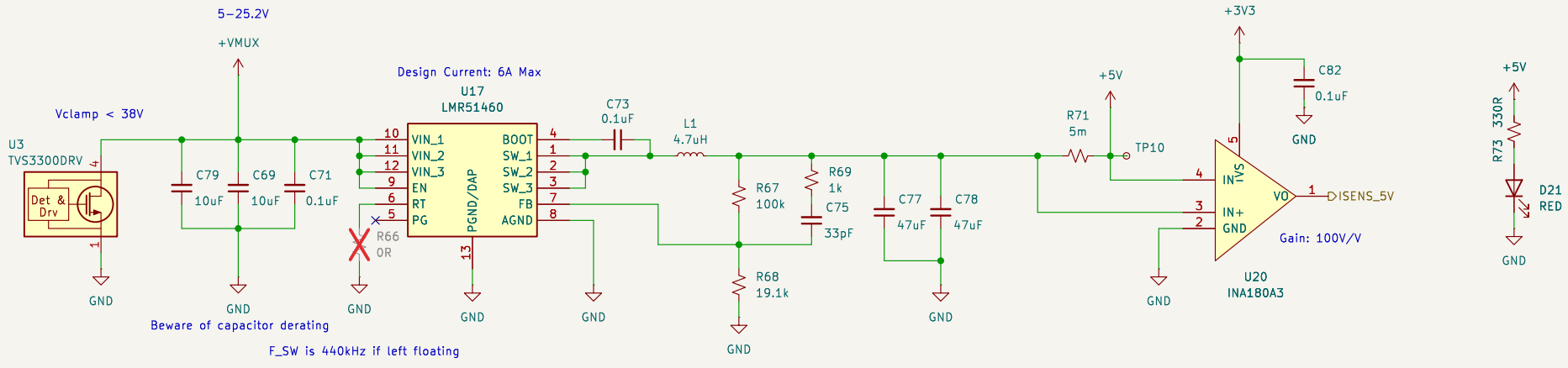
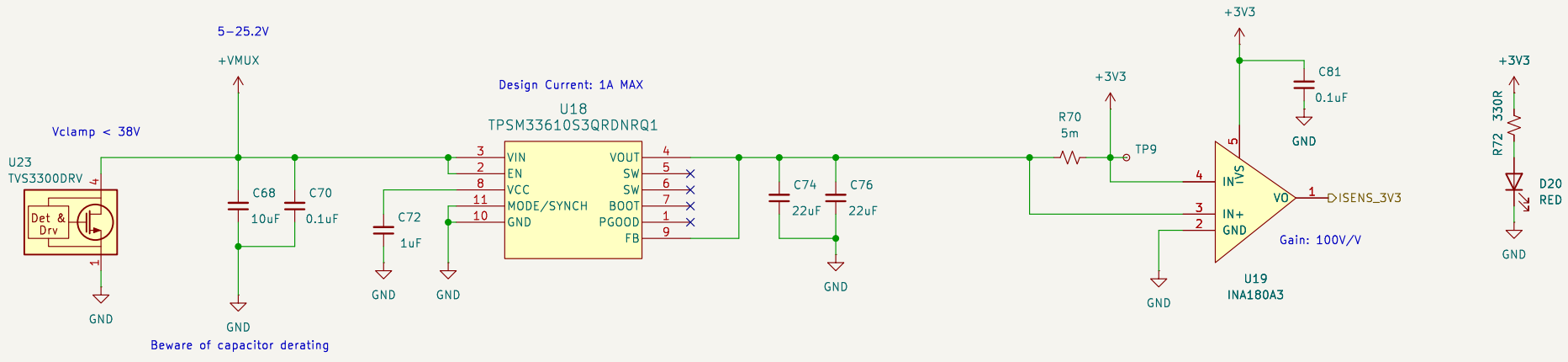
Title:

Size: A4 Date: 2026-03-19

KiCad E.D.A. 9.0.0

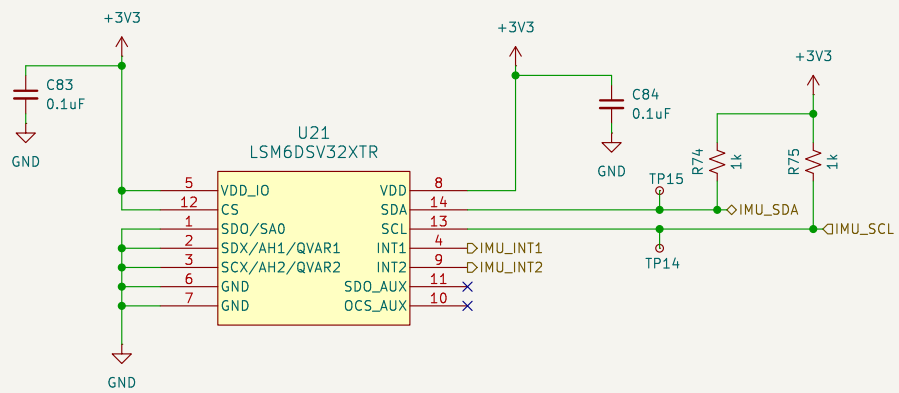
Rev: A

Id: 12/18



<https://webench.ti.com/appinfo/webench/scripts/SDP.cgi?ID=BC8C0EE24EA233AC>

Sheet: /Power Rails/		Date: 2026-03-19	
File: power_rails.kicad_sch		Rev: A	
Size: A4	KiCad E.D.A. 9.0.0	Id: 13/18	



Sheet: /32G IMU/
 File: 32g_imu.kicad_sch

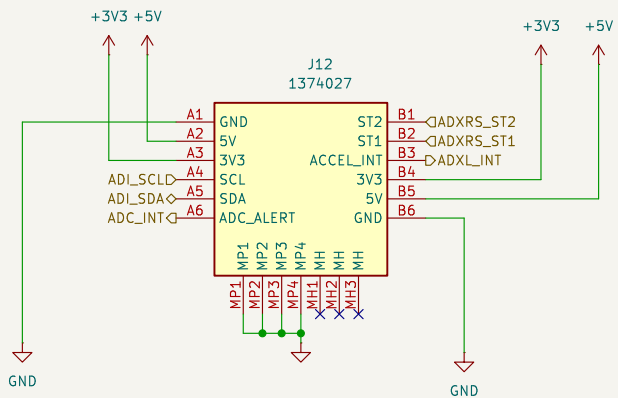
Title:

Size: A4 Date: 2026-03-19

KiCad E.D.A. 9.0.0

Rev: A

Id: 14/18



I2C pullups on breakout board

Sheet: /AD Breakout/
File: ad.kicad_sch

Title:

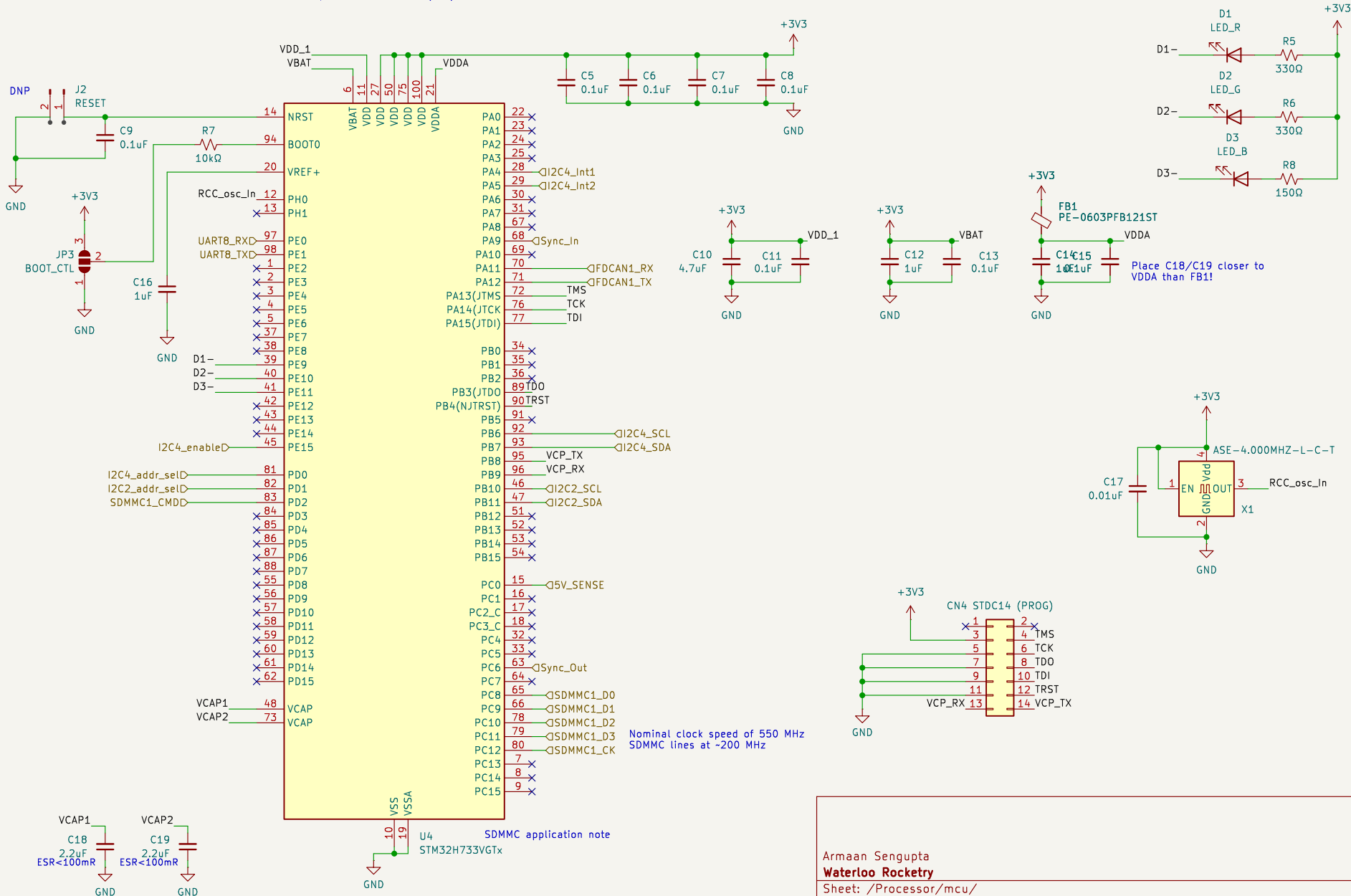
Size: A4 Date: 2026-03-19

KiCad E.D.A. 9.0.0

Rev: A

Id: 15/18

power conn manual (link)



Nominal clock speed of 550 MHz
SDMMC lines at ~200 MHz

SDMMC application note
U4 STM32H733VGTx

Armaan Sengupta
Waterloo Rocketry

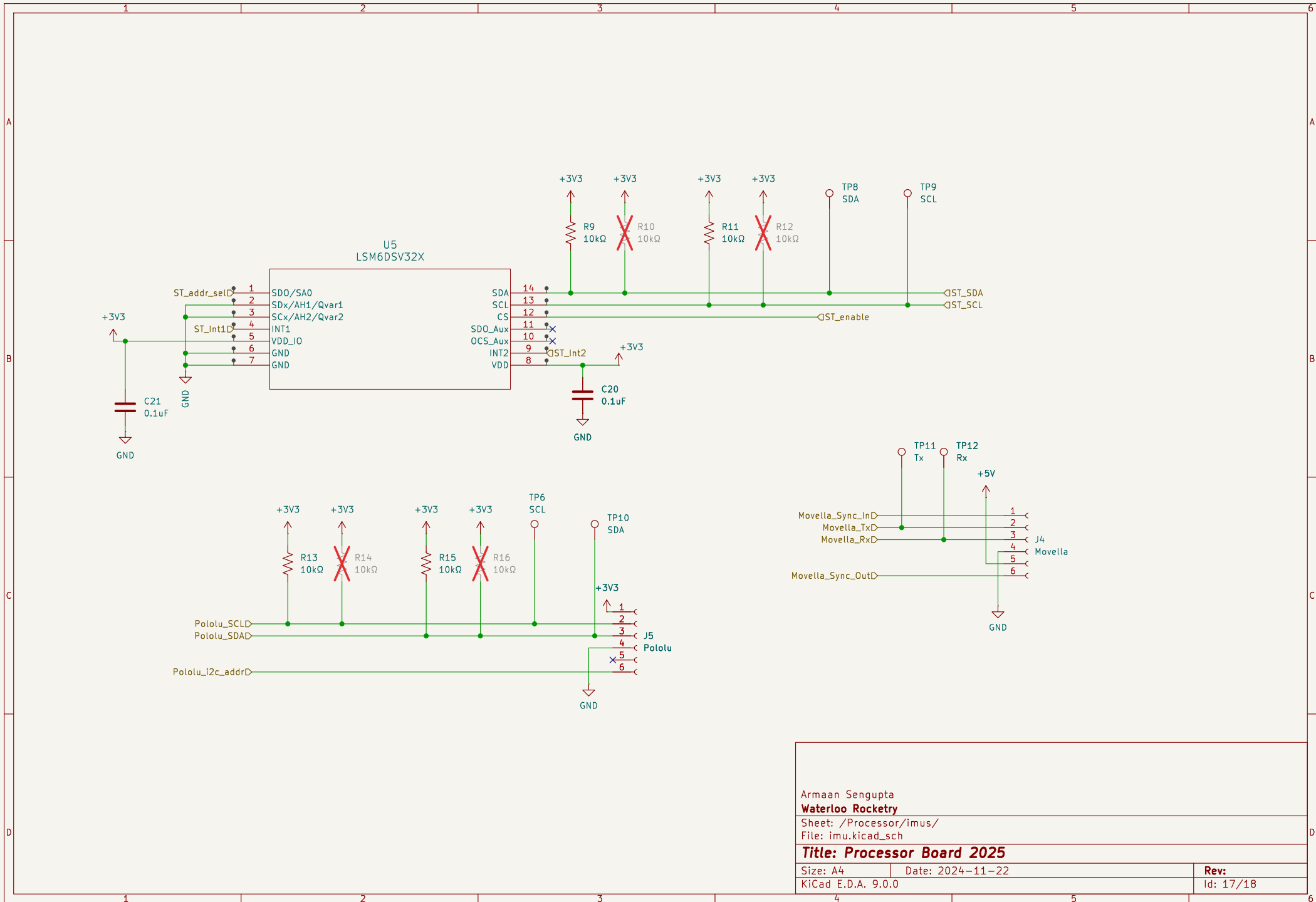
Sheet: /Processor/mcu/
File: mcu.kicad_sch

Title: Processor Board 2025

Size: A4 Date: 2024-11-22

KiCad E.D.A. 9.0.0

Rev:
Id: 16/18



Armaan Sengupta
Waterloo Rocketry

Sheet: /Processor/imus/
 File: imu.kicad_sch

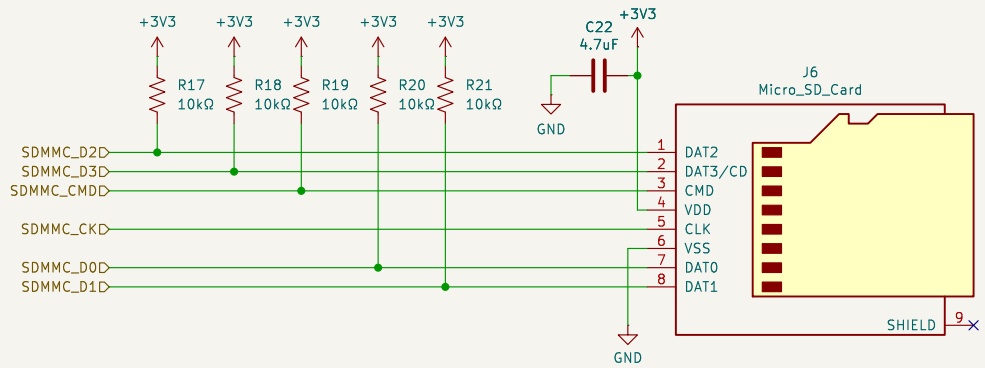
Title: Processor Board 2025

Size: A4 Date: 2024-11-22

KiCad E.D.A. 9.0.0

Rev:

Id: 17/18



Armaan Sengupta
Waterloo Rocketry

Sheet: /Processor/SD Card/
 File: sd_card.kicad_sch

Title: Processor Board 2025

Size: A4 Date: 2024-11-22

KiCad E.D.A. 9.0.0

Rev:
 Id: 18/18