

JLC04161H-7628(Standard/Finished thickness1.59mm±10%)

Rio Liu  
Manav Toor

**Waterloo Rocketry**

Sheet: /  
File: LTT.kicad\_sch

**Title: Live Telemetry Transmitter**

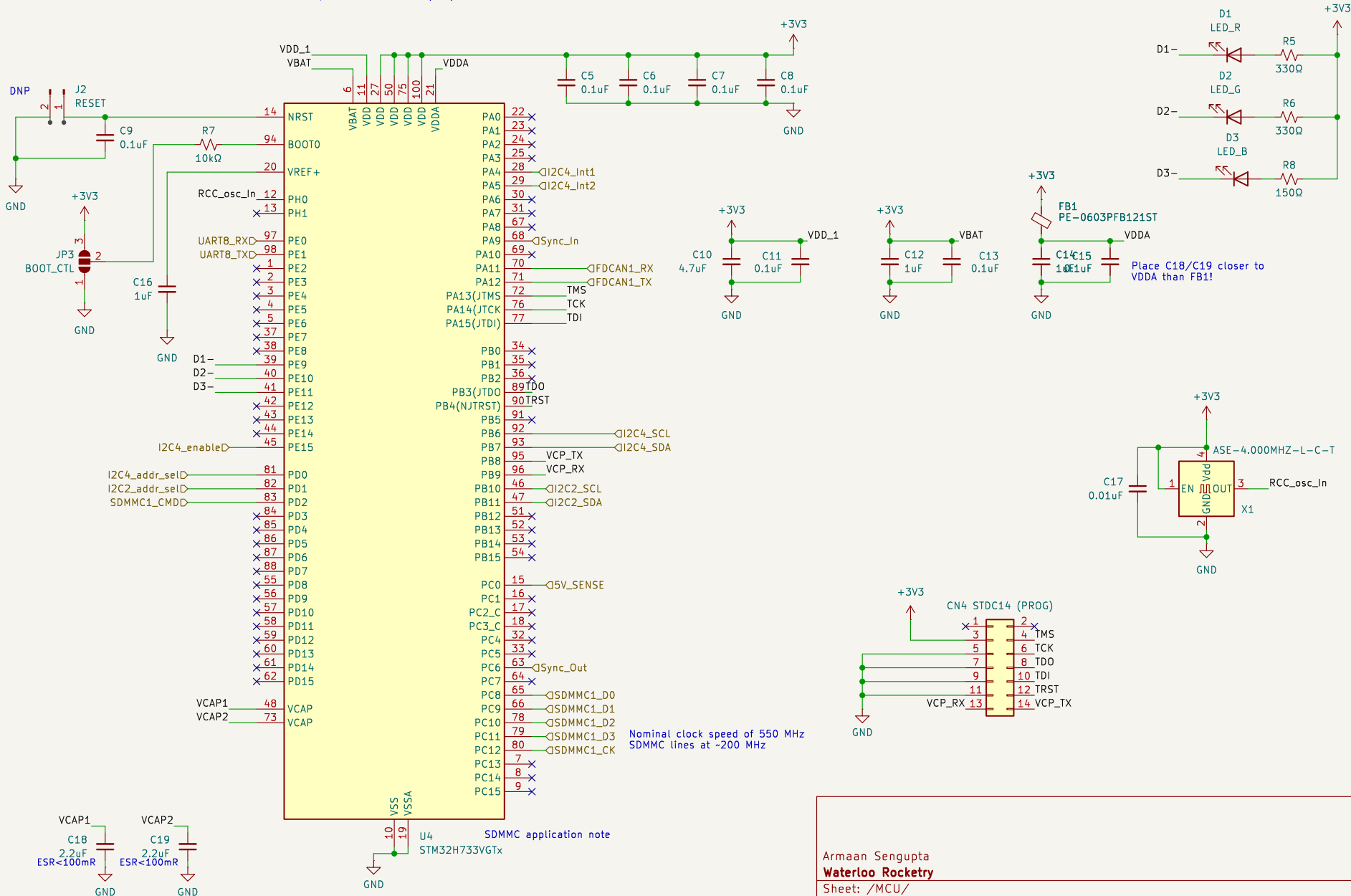
Size: A4 Date: 2026-03-12

**Rev: 2**

KiCad E.D.A. 9.0.0

Id: 1/4

power conn manual (link)



Nominal clock speed of 550 MHz  
SDMMC lines at ~200 MHz

SDMMC application note  
U4 STM32H733VGTx

Armaan Sengupta  
Waterloo Rocketry  
Sheet: /MCU/  
File: mcu.kicad\_sch

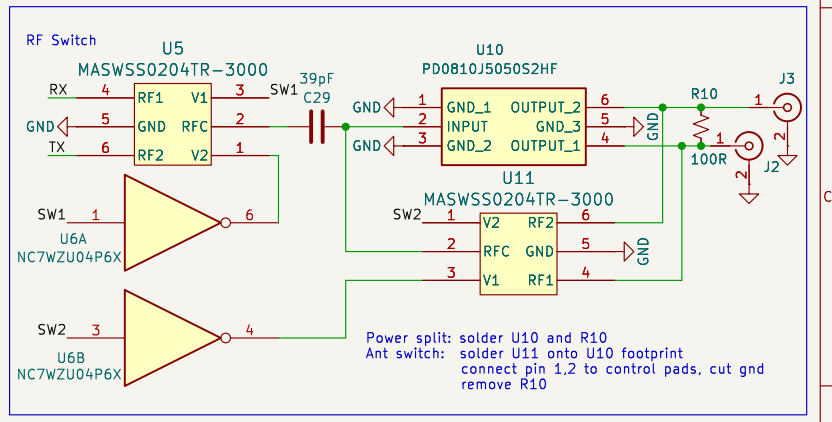
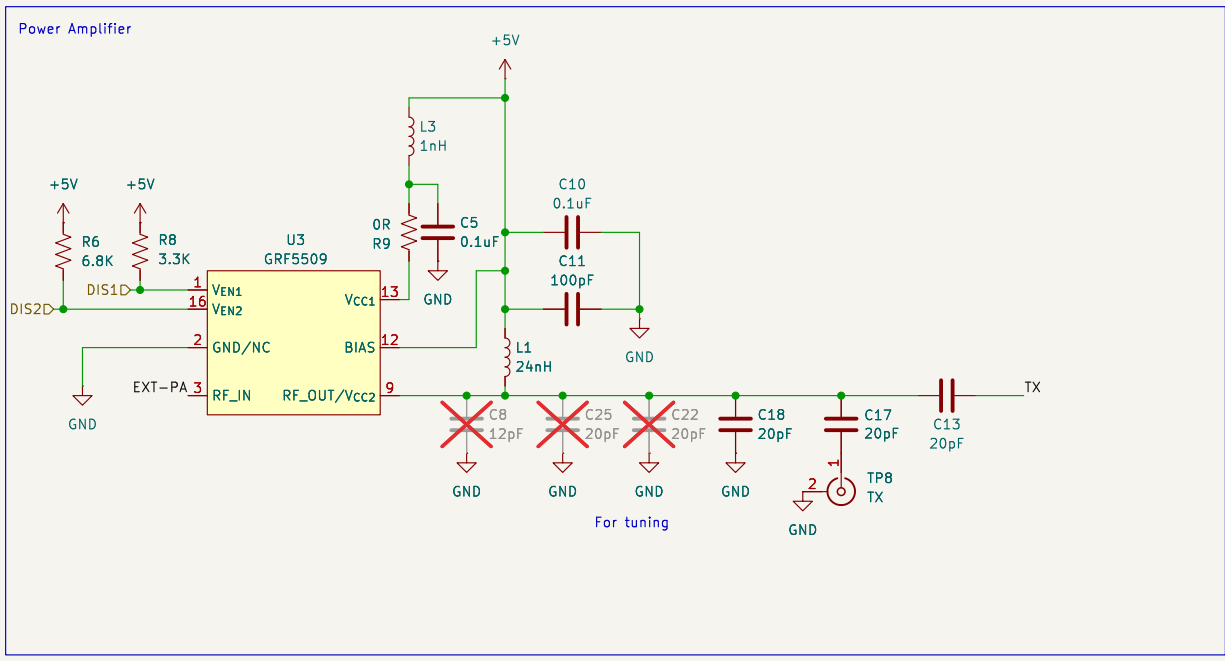
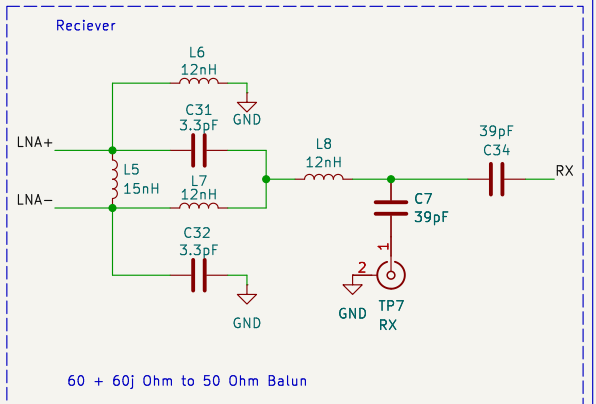
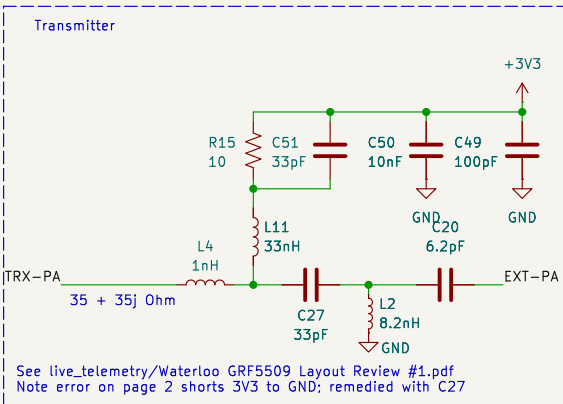
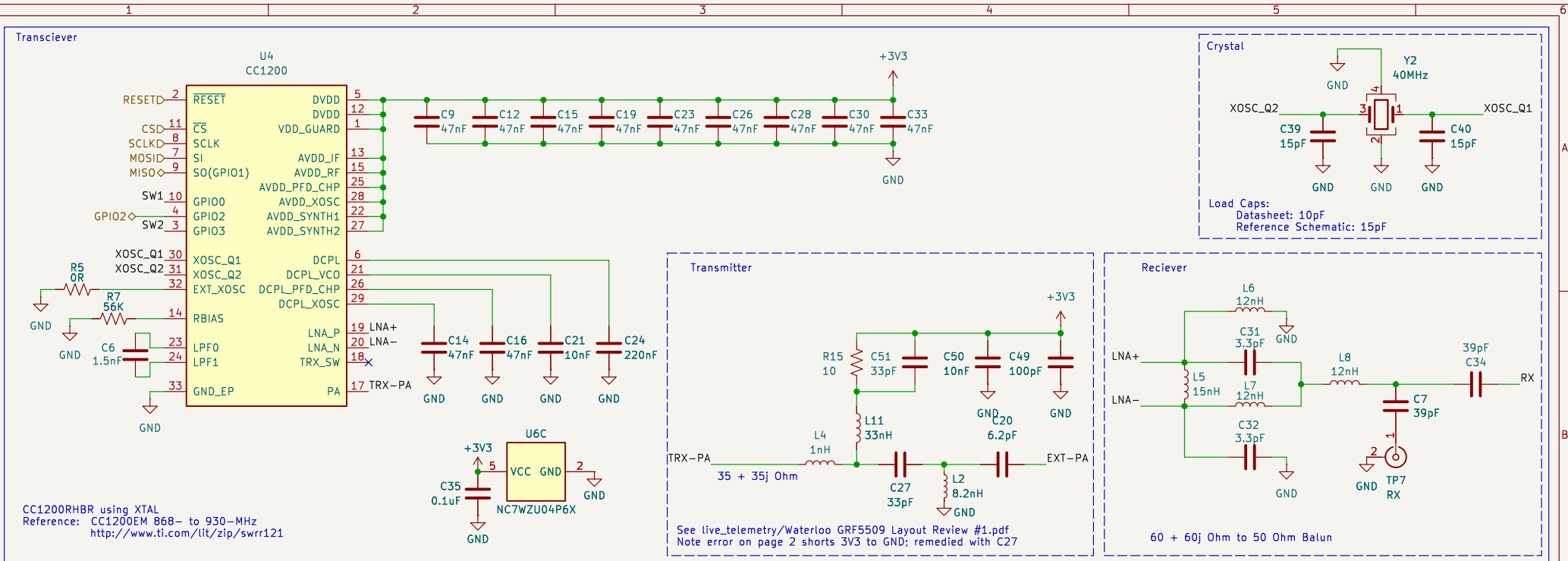
**Title: Processor Board 2025**

Size: A4 Date: 2024-11-22

KiCad E.D.A. 9.0.0

Rev:

Id: 2/4

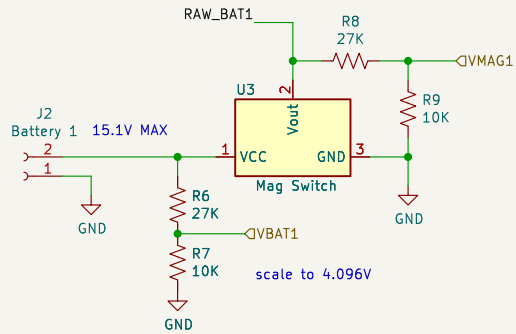


Rio Liu  
 Manav Toor  
**Waterloo Rocketry**  
 Sheet: /RF/  
 File: rf.kicad\_sch

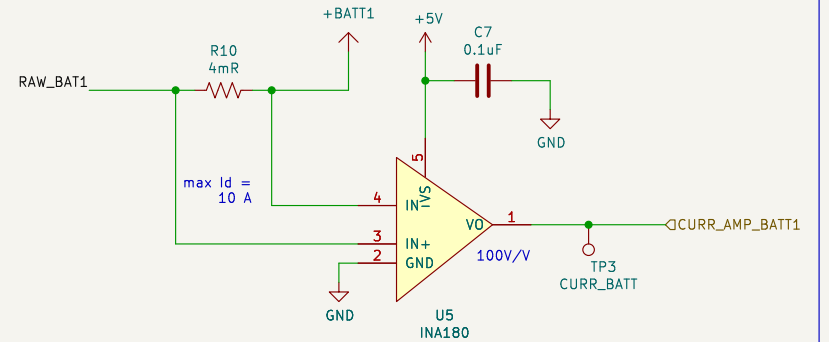
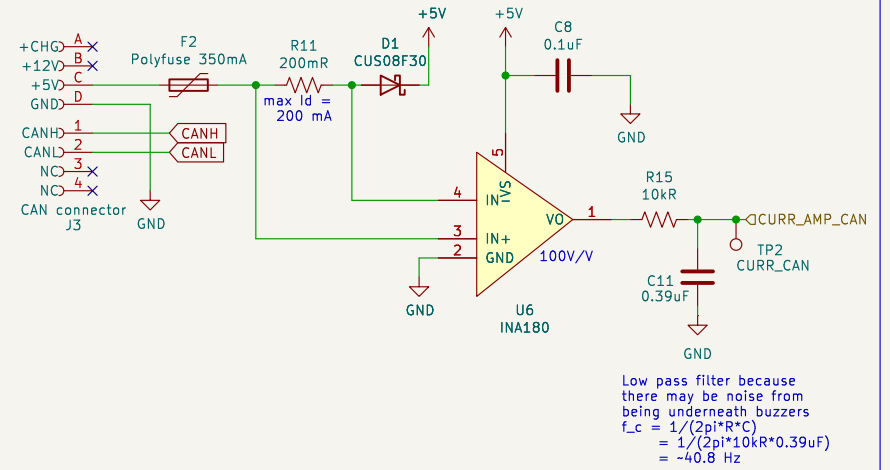
**Title: Live Telemetry Transmitter**

Size: A4 Date: 2026-03-12  
 KiCad E.D.A. 9.0.0 Rev: 2  
 Id: 3/4

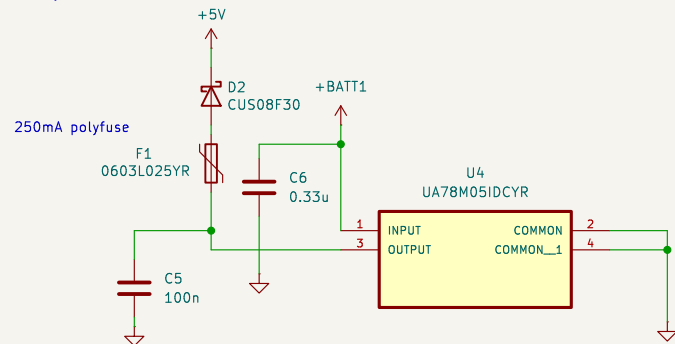
Battery Input



Current Sensing



Battery to 5V LDO



Sheet: /Power/  
File: power.kicad\_sch

Title:

Size: A4  
KiCad E.D.A. 9.0.0

Date:

Rev:

Id: 4/4