

Valve Control

File: valveControl.kicad\_sch

MCU

File: mcu.kicad\_sch

Power

File: power.kicad\_sch

Analog Sensor

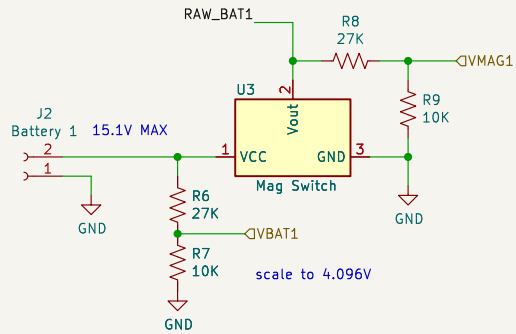
File: analogSensor.kicad\_sch  
Digital Sensor Suite

File: digitalSensorSuite.kicad\_sch

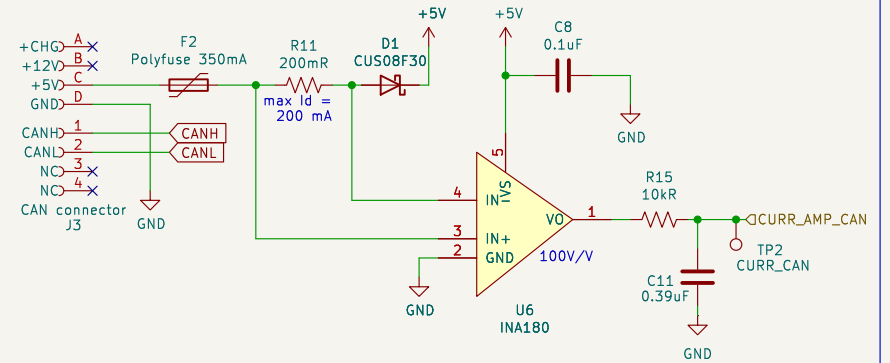
Sheet: /		
File: PropulsionBoard.kicad_sch		
<b>Title:</b>		
Size: A4	Date:	Rev:
KiCad E.D.A. 9.0.0		Id: 1/12



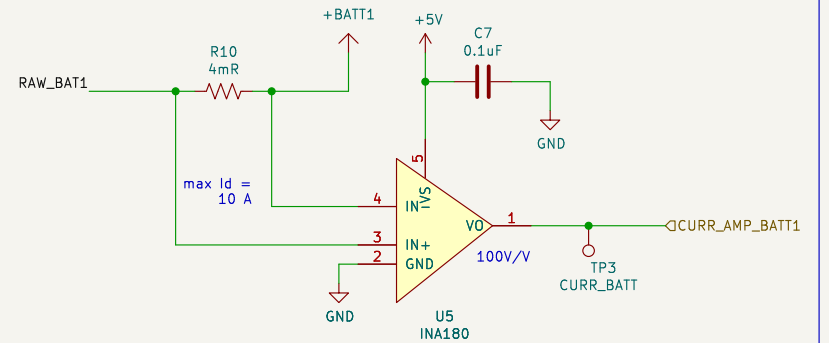
Battery Input



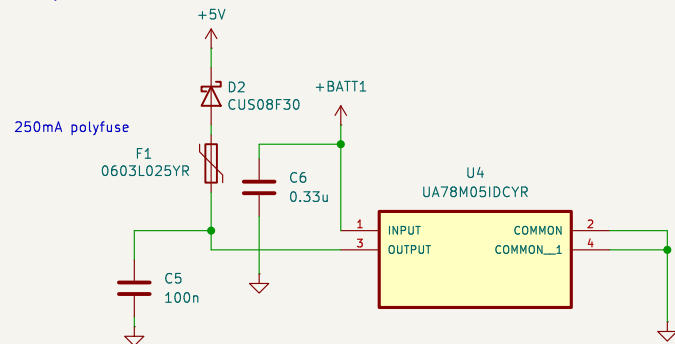
Current Sensing



Low pass filter because there may be noise from being underneath buzzers  
 $f_c = 1/(2\pi * R * C)$   
 $= 1/(2\pi * 10kR * 0.39uF)$   
 $= -40.8 \text{ Hz}$



Battery to 5V LDO



Sheet: /Power/  
 File: power.kicad\_sch

Title:

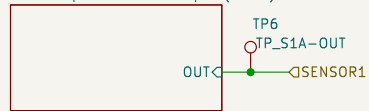
Size: A4  
 KiCad E.D.A. 9.0.0

Date:

Rev:

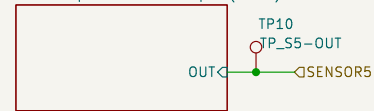
Id: 3/12

Non-Amplified Sensor Input (3 Pin) 1



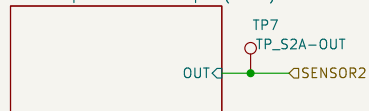
File: nonAmplifiedSensorInput3Pin.kicad\_sch

Non-Amplified Sensor Input (2 Pin) 1



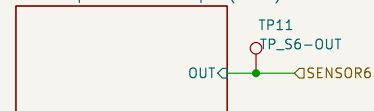
File: nonAmplifiedSensorInput2Pin.kicad\_sch

Non-Amplified Sensor Input (3 Pin) 2



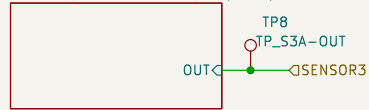
File: nonAmplifiedSensorInput3Pin.kicad\_sch

Non-Amplified Sensor Input (2 Pin) 2



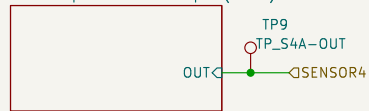
File: nonAmplifiedSensorInput2Pin.kicad\_sch

Non-Amplified Sensor Input (3 Pin) 3



File: nonAmplifiedSensorInput3Pin.kicad\_sch

Non-Amplified Sensor Input (3 Pin) 4



File: nonAmplifiedSensorInput3Pin.kicad\_sch

Sheet: /Analog Sensor/  
File: analogSensor.kicad\_sch

**Title:**

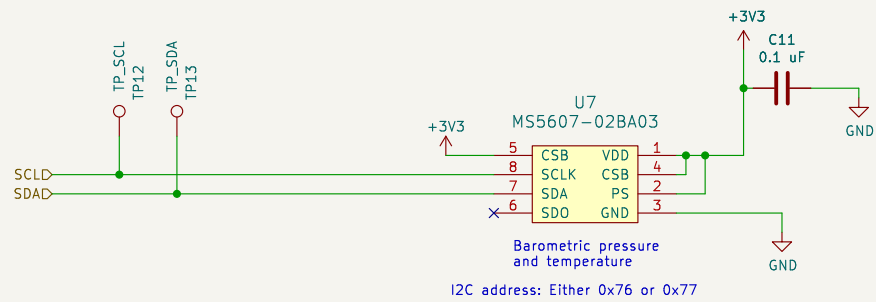
Size: A4

Date:

**Rev:**

KiCad E.D.A. 9.0.0

Id: 4/12



Sheet: /Digital Sensor Suite/  
File: digitalSensorSuite.kicad\_sch

**Title:**

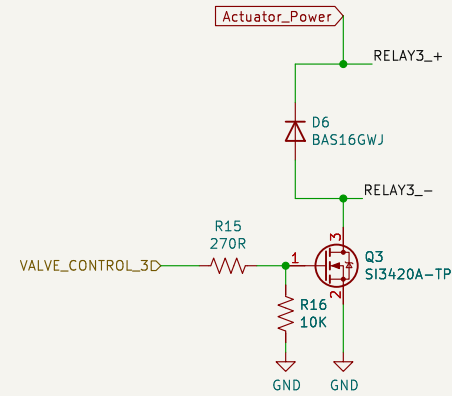
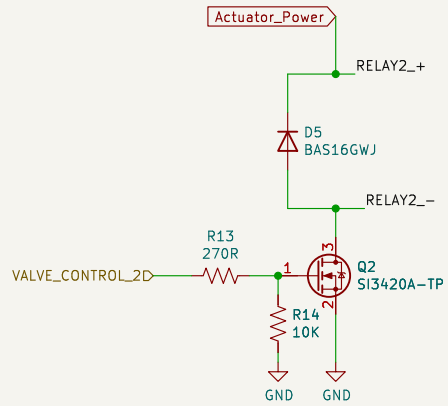
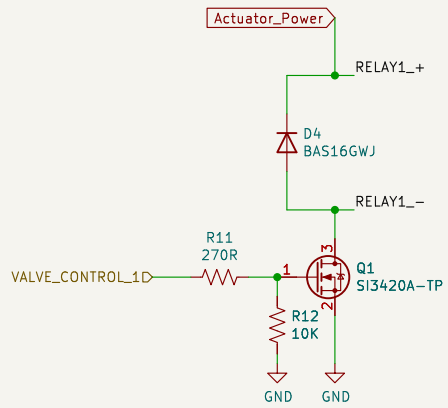
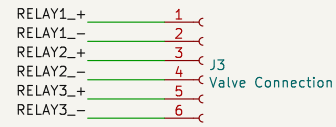
Size: A4

Date:

Rev:

KiCad E.D.A. 9.0.0

Id: 5/12



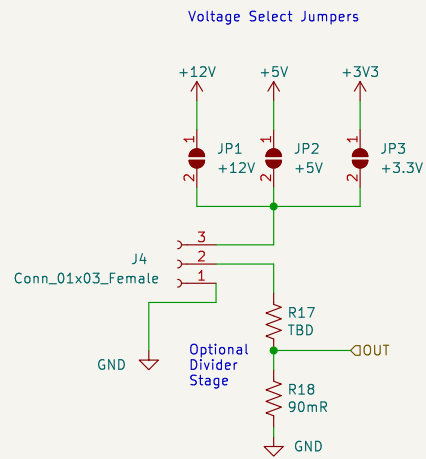
Sheet: /Valve Control/  
 File: valveControl.kicad\_sch

**Title:**

Size: A4  
 KiCad E.D.A. 9.0.0

Date:

Rev:  
 Id: 6/12



Sheet: /Analog Sensor/Non-Amplified Sensor Input (3 Pin) 1/  
 File: nonAmplifiedSensorInput3Pin.kicad\_sch

**Title:**

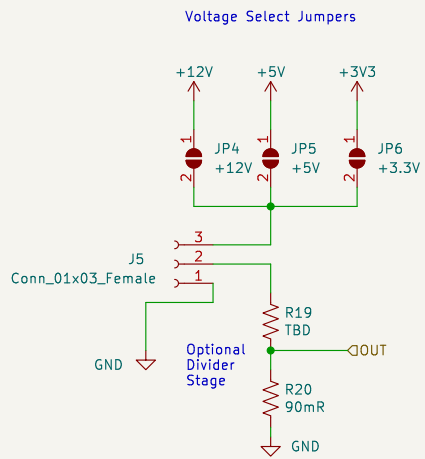
Size: A4

Date:

**Rev:**

KiCad E.D.A. 9.0.0

Id: 7/12



Sheet: /Analog Sensor/Non-Amplified Sensor Input (3 Pin) 2/  
 File: nonAmplifiedSensorInput3Pin.kicad\_sch

**Title:**

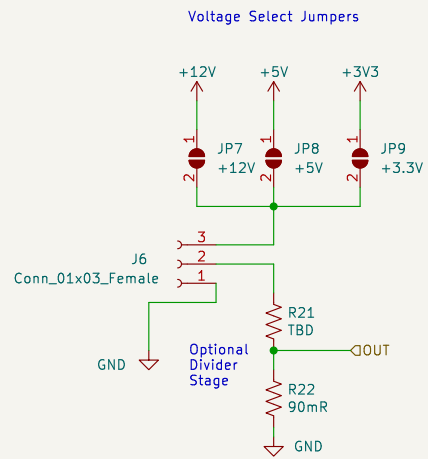
Size: A4

Date:

**Rev:**

KiCad E.D.A. 9.0.0

Id: 8/12



Sheet: /Analog Sensor/Non-Amplified Sensor Input (3 Pin) 3/  
 File: nonAmplifiedSensorInput3Pin.kicad\_sch

**Title:**

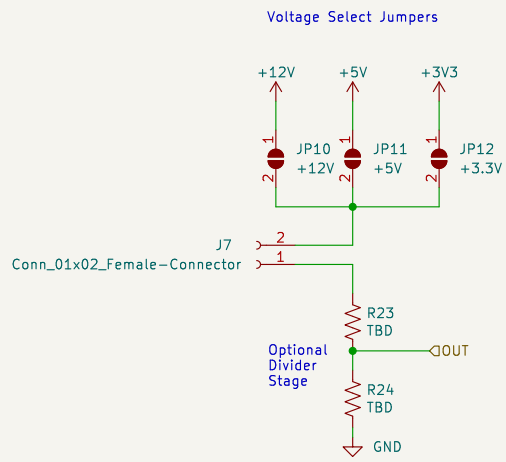
Size: A4

Date:

**Rev:**

KiCad E.D.A. 9.0.0

Id: 9/12



Sheet: /Analog Sensor/Non-Amplified Sensor Input (2 Pin) 1/  
 File: nonAmplifiedSensorInput2Pin.kicad\_sch

**Title:**

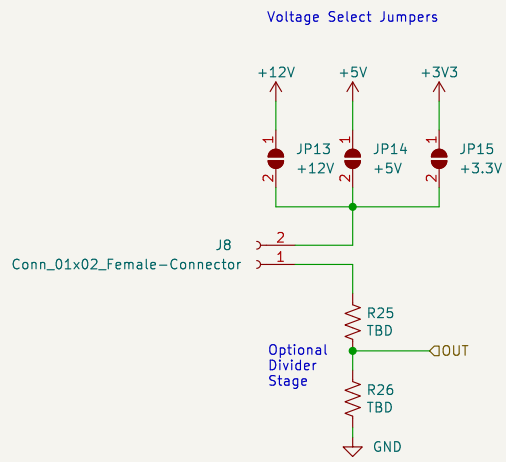
Size: A4

Date:

Rev:

KiCad E.D.A. 9.0.0

Id: 10/12



Sheet: /Analog Sensor/Non-Amplified Sensor Input (2 Pin) 2/  
 File: nonAmplifiedSensorInput2Pin.kicad\_sch

**Title:**

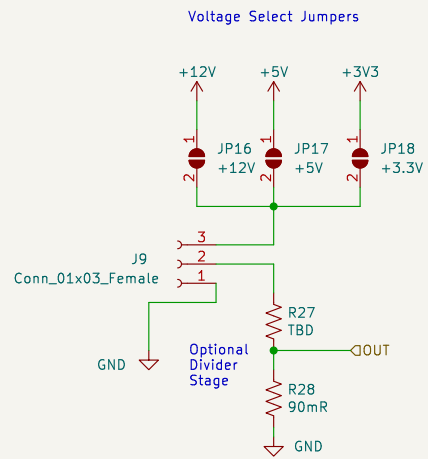
Size: A4

Date:

**Rev:**

KiCad E.D.A. 9.0.0

Id: 11/12



Sheet: /Analog Sensor/Non-Amplified Sensor Input (3 Pin) 4/  
 File: nonAmplifiedSensorInput3Pin.kicad\_sch

**Title:**

Size: A4

Date:

**Rev:**

KiCad E.D.A. 9.0.0

Id: 12/12