

Made by :)

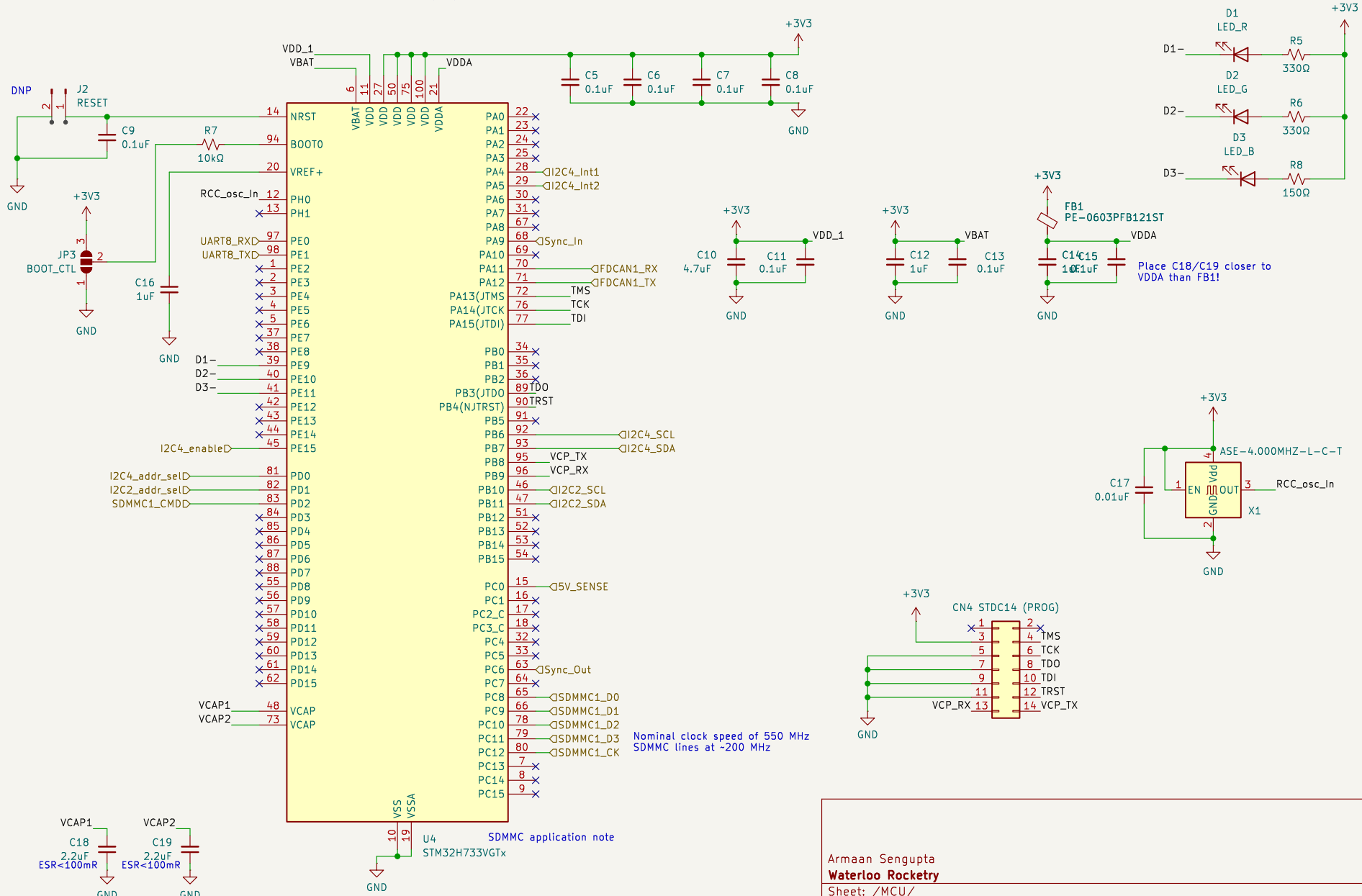
Sheet: /
 File: injector_sensor_hub.kicad_sch

Title: Injector Sensor Hub

Size: A4
 KiCad E.D.A. 9.0.0

Date:
 Rev:
 Id: 1/3

power conn manual (link)



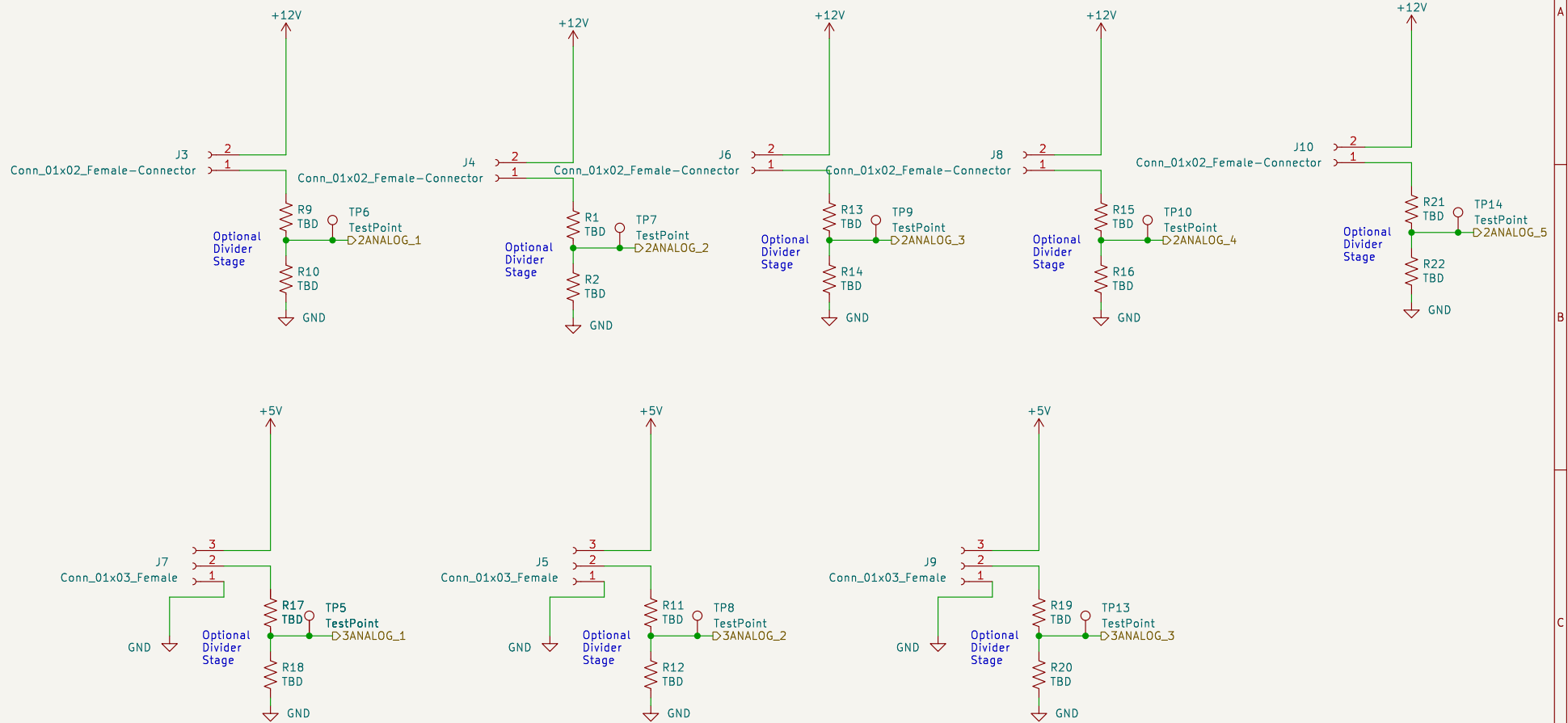
Nominal clock speed of 550 MHz
SDMMC lines at ~200 MHz

SDMMC application note
U4 STM32H733VGTx

Armaan Sengupta
Waterloo Rocketry
 Sheet: /MCU/
 File: mcu.kicad_sch

Title: Processor Board 2025

Size: A4	Date: 2024-11-22	Rev:
KiCad E.D.A. 9.0.0		Id: 2/3



Sheet: /Analog Sensor Input/
 File: analog_sensor_input.kicad_sch

Title: Injector Sensor Hub

Size: A4
 KiCad E.D.A. 9.0.0

Date:
 Rev:
 Id: 3/3