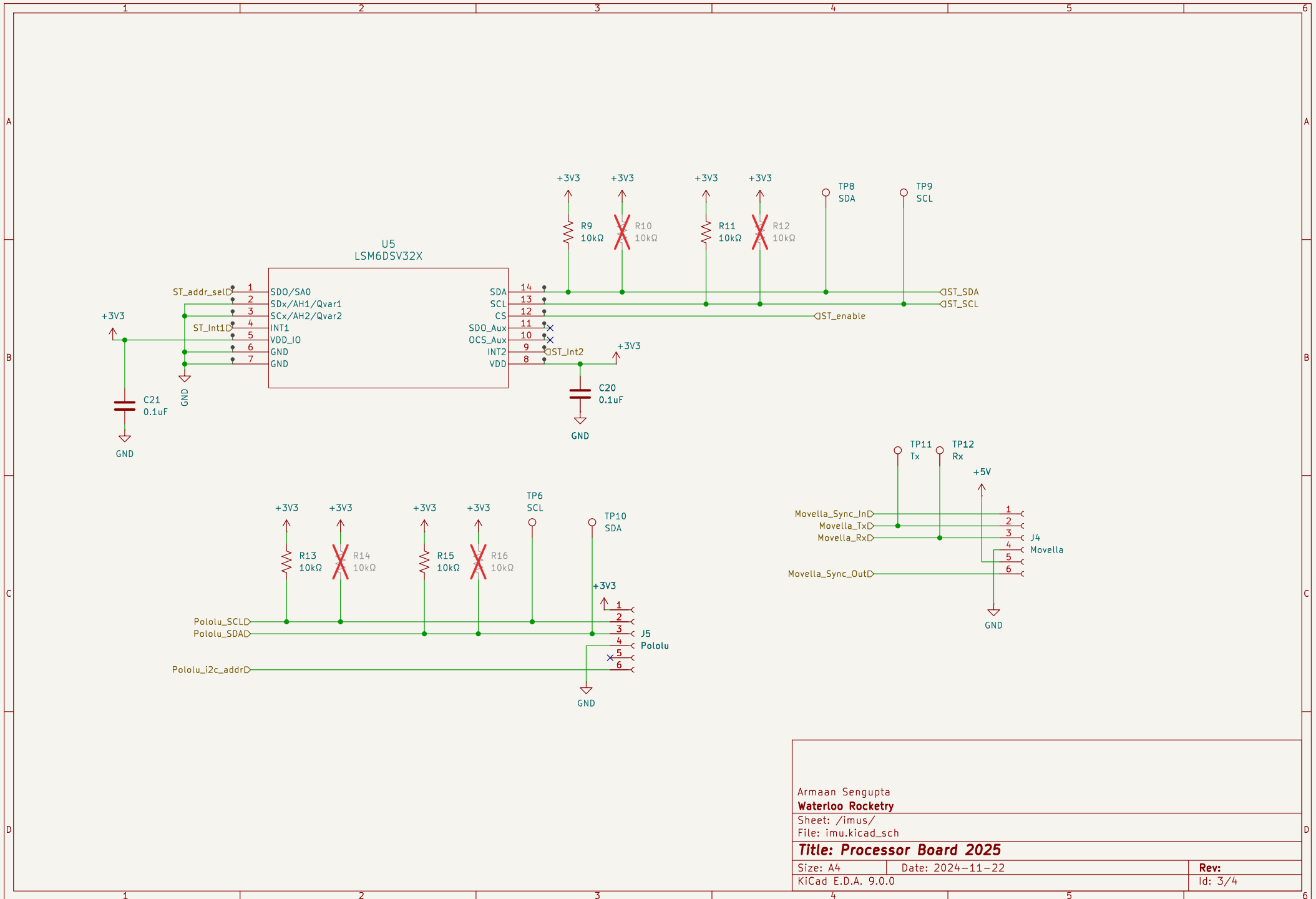


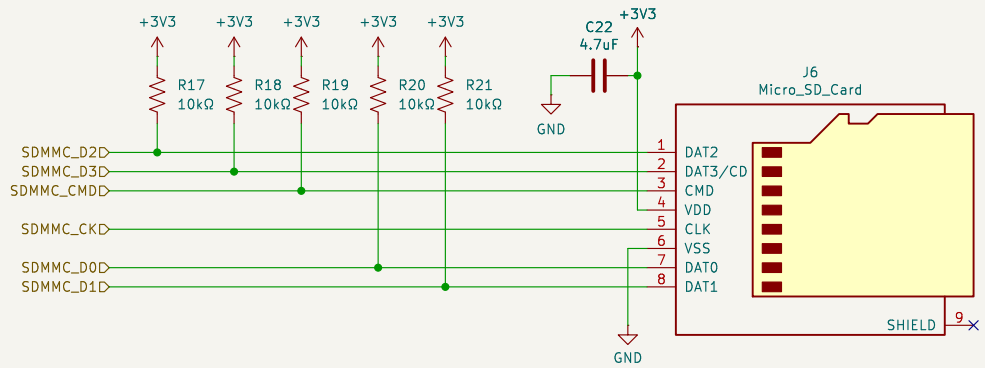
Armaan Sengupta	
Waterloo Rocketry	
Sheet: /	
File: processor.kicad_sch	
Title: Processor Board 2025	
Size: A4	Date: 2024-11-22
KiCad E.D.A. 9.0.0	Rev:
	Id: 1/4



Armaan Sengupta
Waterloo Rocketry
 Sheet: /imus/
 File: imu.kicad_sch

Title: Processor Board 2025

Size: A4	Date: 2024-11-22	Rev:
KiCad E.D.A. 9.0.0		Id: 3/4



Armaan Sengupta
Waterloo Rocketry

Sheet: /SD Card/
 File: sd_card.kicad_sch

Title: Processor Board 2025

Size: A4 Date: 2024-11-22

KiCad E.D.A. 9.0.0

Rev:
 Id: 4/4