

ease_02a_sheet01



File: ease_02a_sheet01.kicad_sch
ease_02a_power_in_sheet2



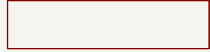
File: ease_02a_sheet02.kicad_sch
ease_02a_power_sheet3



File: ease_02a_sheet03.kicad_sch
ease_02a_sam_sheet4



File: ease_02a_sheet04.kicad_sch
ease_02a_prog_sheet5



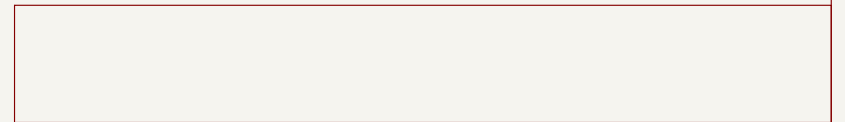
File: ease_02a_sheet05.kicad_sch
ease_02a_nfc_sheet6



File: ease_02a_sheet06.kicad_sch
ease_02a_led_driver_sheet7



File: ease_02a_sheet07.kicad_sch



Sheet: /
File: ease_02a.kicad_sch

| | |
|--------------------|-----------------|
| Title: | |
| Size: A4 | Date: |
| KiCad E.D.A. 9.0.0 | Rev: Id: 1/8 |

1

2

3

4

5

6

CHANGELOG

A

A

B

B

C

C

D

D



Sheet: /ease_02a_sheet01/
File: ease_02a_sheet01.kicad_sch

Title:

Size: A4 Date: **Rev:**

KiCad E.D.A. 9.0.0 Id: 2/8

1

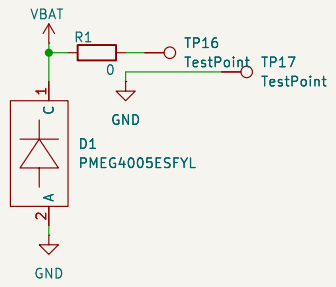
2

3

4

5

6



Sheet: /ease_02a_power_in_sheet2/
File: ease_02a_sheet02.kicad_sch

Title:

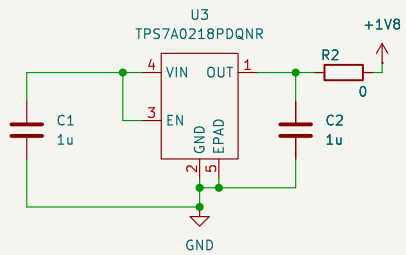
Size: A4

Date:

Rev:

KiCad E.D.A. 9.0.0

Id: 3/8



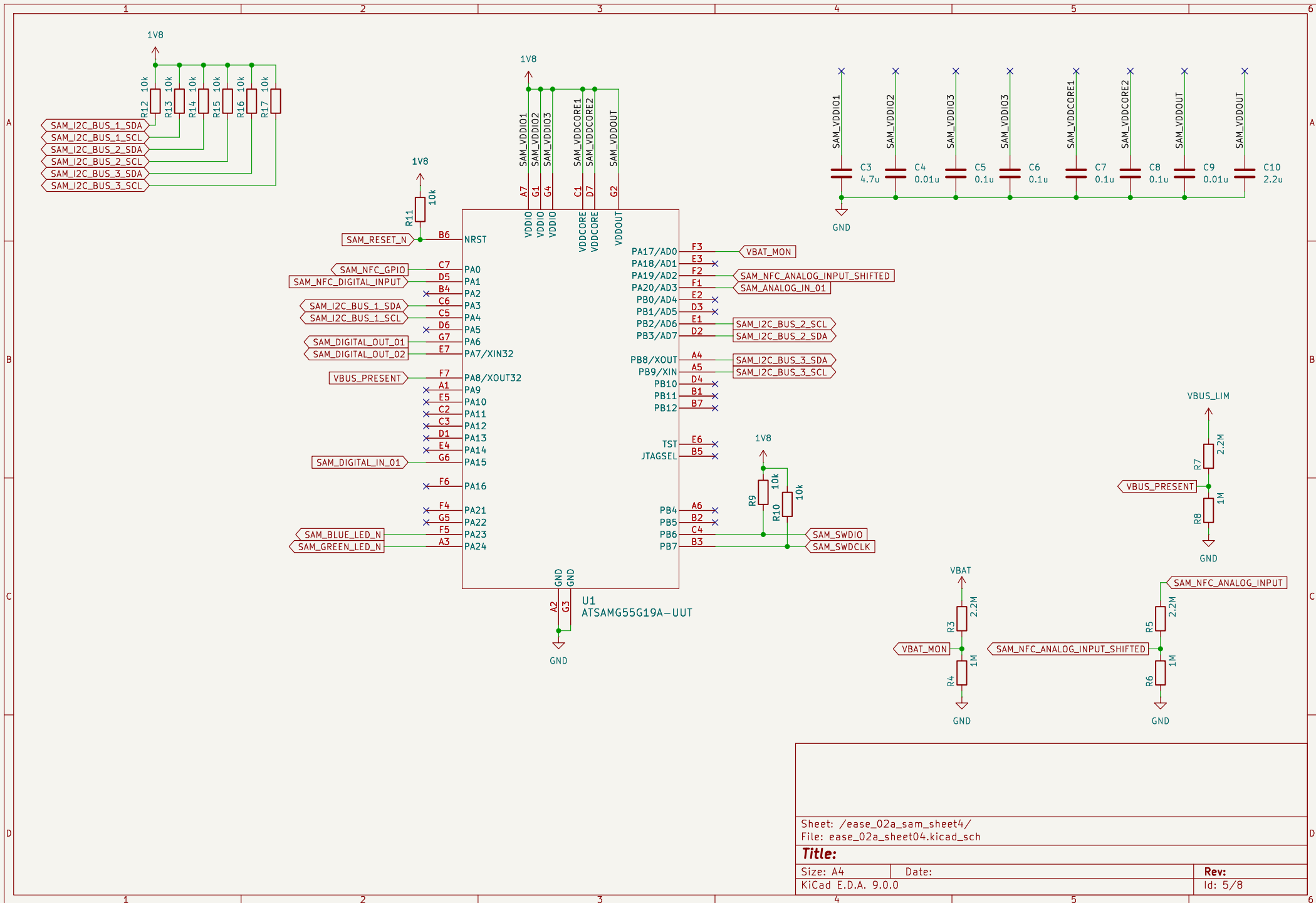
Sheet: /ease_02a_power_sheet3/
File: ease_02a_sheet03.kicad_sch

Title:

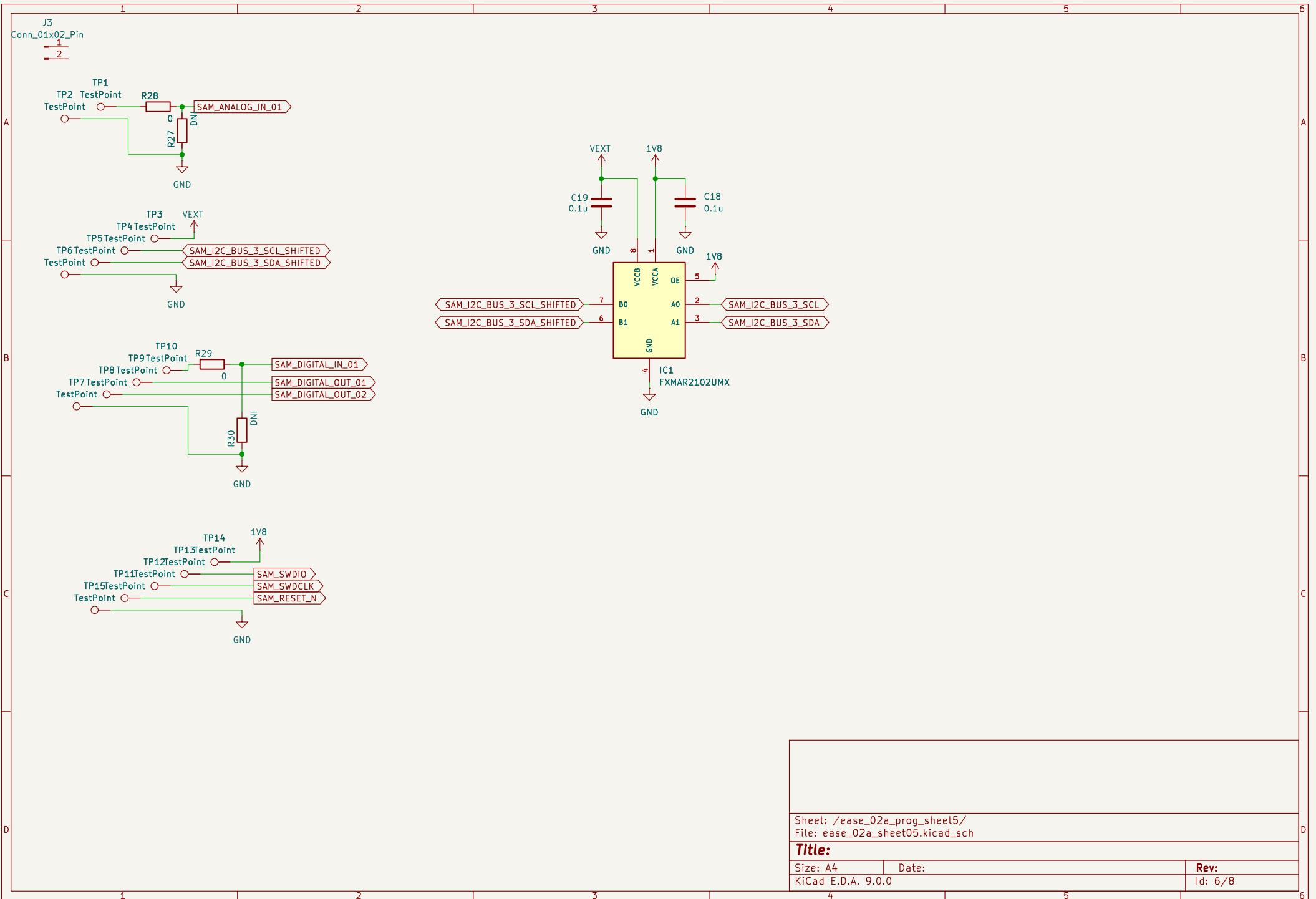
Size: A4
KiCad E.D.A. 9.0.0

Date:

Rev:
Id: 4/8



Sheet: /ease_02a_sam_sheet4/
 File: ease_02a_sheet04.kicad_sch
Title:
 Size: A4 | Date:
 KiCad E.D.A. 9.0.0 | **Rev:**
 Id: 5/8



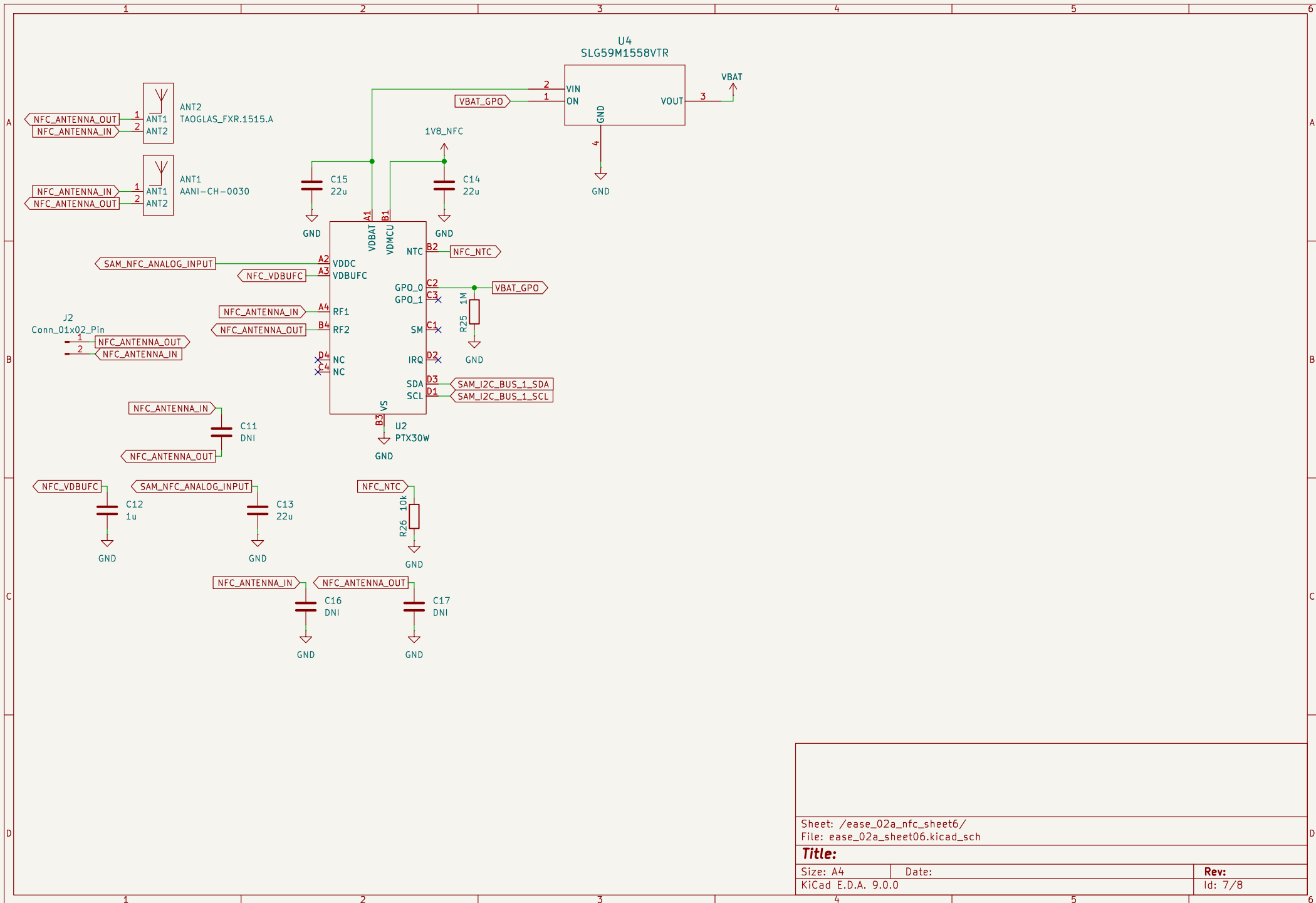
Sheet: /ease_02a_prog_sheet5/
 File: ease_02a_sheet05.kicad_sch

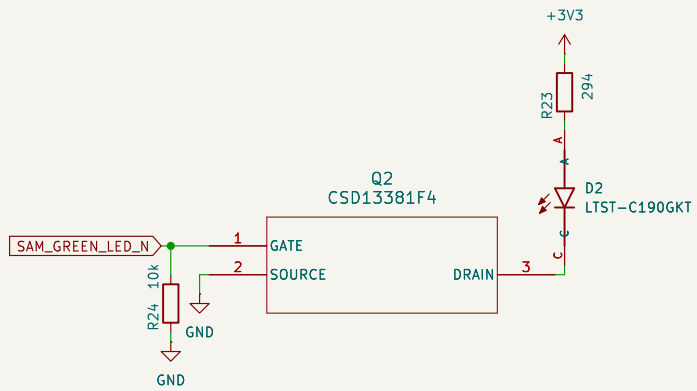
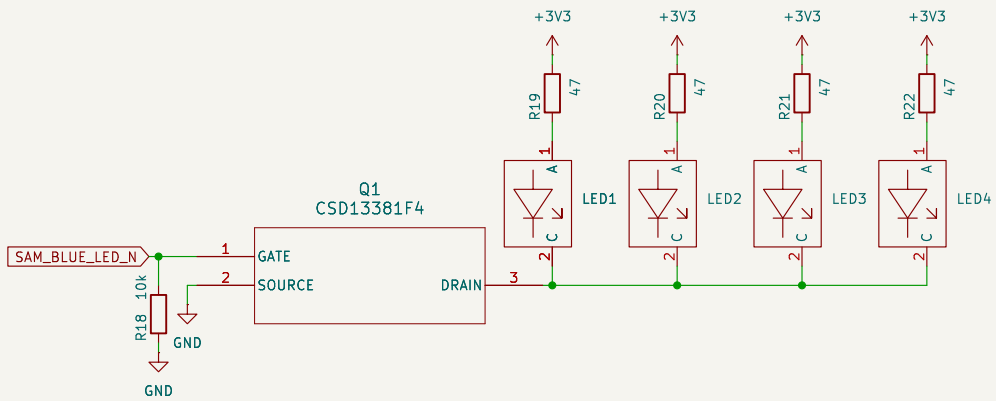
Title:

Size: A4
 KiCad E.D.A. 9.0.0

Date:

Rev:
 Id: 6/8





Sheet: /ease_02a_led_driver_sheet7/
 File: ease_02a_sheet07.kicad_sch

Title:

Size: A4

Date:

Rev:

KiCad E.D.A. 9.0.0

Id: 8/8